



# 2023-24 PERFORMANCE PARTS QUICK REFERENCE GUIDE









# FEATURED ITEMS

Equipment	Descriptions	Part No
<b>New longer window tines</b>		
ProCore 440/660/648/864/880/1298	Titan quad, 3/8" mount (5.00" x 0.46", 0.32")	137-6526 (replaces 108-9109)
ProCore 440/660/648/864/880/1298	Titan quad, 3/8" mount (5.00" x 0.55", 0.41")	137-6527 (replaces 108-9110)
ProCore 440/660/648/864/880/1298	Titan quad, 3/8" mount (5.00" x 0.58", 0.48")	137-6529 (replaces 108-9294)
ProCore 440/660/648/864/880/1298	Titan quad, 3/8" mount (5.00" x 0.36", 0.25")	138-5937 (replaces 108-9108)

Equipment	Descriptions	Part No
<b>New single assembly tines</b>		
ProCore® SR series tines	Tine assembly 0.500" x 5.5" (3/8" MNT)	139-8618 (replaces SGC05550)
ProCore® SR series tines	Tine assembly 0.687" x 7.0" (12 mm MNT)	139-8616 (replaces SGC07624)
ProCore® SR series tines	Tine assembly 0.813" x 7.0" (12 mm MNT)	139-8625 (replaces SGC07754)
ProCore® SR series tines	Tine assembly 0.750" x 10.0" (12 mm MNT)	139-8620 (replaces SGC10754)
ProCore® SR series tines	Tine assembly 0.687" x 7.0" (12 mm L-MNT)	139-8614 (replaces SGC07625)
ProCore® SR series tines	Tine assembly 0.810" x 10.0" (12 mm L-MNT)	139-8613 (replaces SGC10813h)
ProCore® SR series tines	Tine assembly 0.750" x 10.0" (18 mm L-MNT)	139-8623 (replaces SGC10750)
ProCore® SR series tines	Tine assembly 1.06" x 8.0" (18 mm L-MNT)	139-8628 (replaces SGC08100h)
ProCore® SR series tines	Tine assembly 1.06" x 10.0" (18 mm L-MNT)	139-8617 (replaces SGC10100h)
ProCore® SR series tines	Tine assembly 1.00" x 10.0" (18 mm L-MNT)	139-8619 (replaces SGC10100s)

Equipment	Descriptions	Part No
<b>Turf accessories</b>		
Reelmaster Greensmaster	Gauge bar ASM	108-6715
Reelmaster Greensmaster	Paper, Toro reel (10 pack)	125-5610
Reelmaster Greensmaster	Paper, Toro reel booklet	125-5623
Various	Service and parts manual (USB drive)	137-5215
Bedknife and reel	Grind angle indicator	131-6828
Bedknife and reel	Grind angle indicator mount	131-6829
Reelmaster 3105-D/5410-D/5510-D/5210	Seal oil	112-1690

Equipment	Descriptions	Part No
<b>Hydraulic hoses</b>		
Groundsmaster 4700-D	Deck No 6 and 7 hydraulic ASM hose	104-5498
Groundsmaster 4700-D	Deck No 6 and 7 hydraulic ASM hose	104-5499
Reelmaster 3100-D/3105-D	Mow circuit hydraulic ASM hose	117-5142
Reelmaster 3100-D	Centre and lift hydraulic ASM hose	117-5147
Reelmaster 3550/3555/3575 Greensmaster 3300	Hydraulic lift ASM hose	119-2065
Reelmaster 5410-D/5510/5610/5610-D	No 1, 4 and 5 lift arm hydraulic ASM hose	92-5694
Greensmaster 3300 TriFlex	Lift circuit ASM hose	119-2053
Greensmaster 3300 TriFlex	Lift circuit ASM hose	119-2066
Greensmaster 3300 TriFlex	Lift circuit ASM hose	119-2052
Greensmaster 3300 TriFlex	Lift circuit ASM hose	119-2050
Greensmaster 3300 TriFlex	Lift circuit ASM hose	119-2051



# QUICK REFERENCE GUIDE

8 LUBRICANTS

10 MVP KITS

28 FILTERS

38 BLADES

42 BLADES REFERENCE CHART

44 BEDKNIVES REFERENCE CHART

46 SERVICE REEL REFERENCE CHART

48 TINES

62 TYRES

68 BEARINGS

82 BELTS

86 PARTS LIST





# REELS+™ EDGESERIES REELS+™

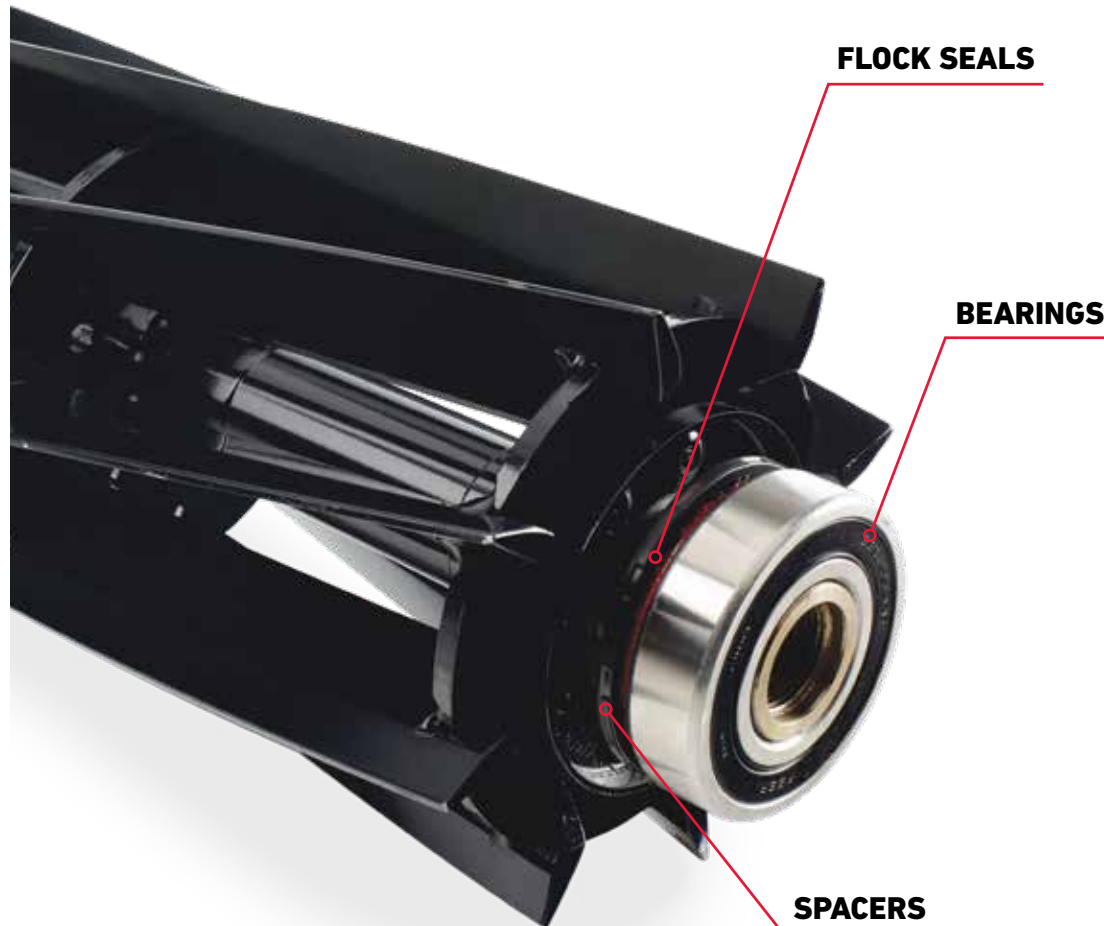
## Save time, save money

**PLUS** Everything you need for replacing your reels is included and pre-assembled

**PLUS** Parts professionally assembled at the factory

**PLUS** Uses all genuine Toro parts

**PLUS** Less time and labour for you, saving you money and resources



**CONTACT YOUR TORO DISTRIBUTOR FOR DETAILS.**

# Toro PX hydraulic fluid

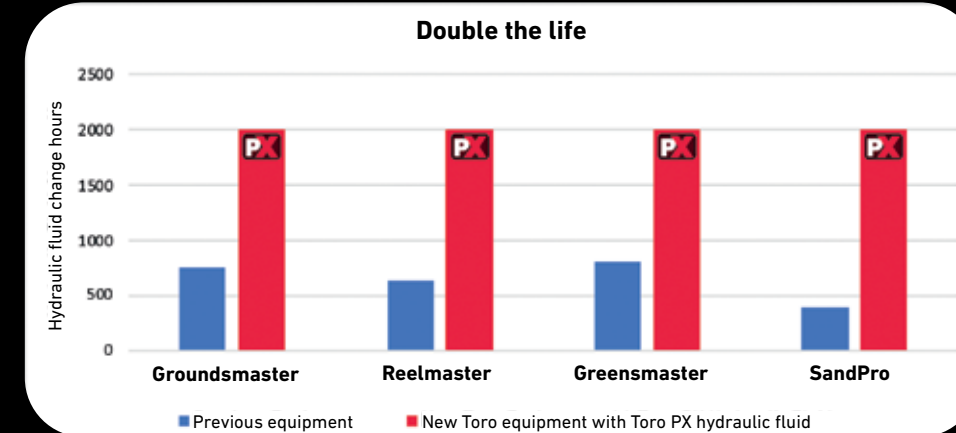
PREMIUM EXTENDED LIFE HYDRAULIC FLUID

## Premium extended life performance, double the life.

New extended life PX hydraulic fluid is another great innovation from Toro. This new premium hydraulic fluid performs better and lasts longer than conventional fluids. This means that your equipment will run more smoothly and require fewer hydraulic fluid changes, saving you time and money – up to 71%. Most 2019 and newer Toro commercial equipment come factory-filled with Toro PX hydraulic fluid and have change intervals twice as long as before... up to 2,000 hours!

## Features

- Exceptional hydraulic efficiency – extended life vs standard fluids
- High viscosity index – maintains viscosity over wide temperature ranges
- Resistant to oxidation – Anti-oxidants prevent sludge, varnish and thickening.



See the Toro equipment operator's guide for your equipment's specific maintenance interval. Not compatible with hydraulic systems using tractor fluid.

**Order part numbers: 133-8086 (19 l pail)**



**Toro PX extended life hydraulic fluid**  
133-8086 (19 l pail)

- EXTENDED LIFE HYDRAULIC FLUID FOR SOME 2019 AND NEWER TORO COMMERCIAL EQUIPMENT
- SEE YOUR EQUIPMENT OPERATOR'S GUIDE FOR INDIVIDUAL MACHINE MAINTENANCE INTERVALS



**Toro Premium all-season hydraulic fluid**  
108-1178 (19 l pail)

- DESIGNED TO MEET THE NEEDS OF TORO HYDRAULIC SYSTEMS
- SUSTAINED COMPONENT PROTECTION OVER WIDE TEMPERATURES AND ADDITIONAL ANTIWEAR PROTECTION
- EXTENDS FLUID LIFE UNDER HARSH OPERATING CONDITIONS



**Toro Premium synthetic biodegradable hydraulic fluid**  
119-2157 (19 l pail)

- PROVIDES LONGER EQUIPMENT LIFE; WILL NOT REACT WITH STEEL OR COPPER ALLOYS
- WORKS WELL WITH SAME ELASTOMERS USED WITH CONVENTIONAL MINERAL OILS
- REDUCED DEPOSIT AND SLUDGE FORMATION



**Toro Premium transmission/hydraulic fluid**  
108-1184 (19 l pail)

- STRONG ANTIWEAR AND EXTREME PRESSURE PROPERTIES
- MULTIPURPOSE CAPABILITY FOR HYDRAULICS, GEARS AND CLUTCHES
- PROTECTS EQUIPMENT IN WET OR HUMID ENVIRONMENTS AND PREVENTS PREMATURE WEAR



**Toro all-purpose grease**  
108-1190 (396 g)

- REDUCES POTENTIAL FOR ENVIRONMENTAL DAMAGE
- EXCELLENT ANTIWEAR/EP PROPERTIES
- HIGH VISCOSITY INDEX AND LOW POUR POINT



**Toro synthetic grease ISO 220**  
125-3511 (85 g)

- OUTSTANDING HIGH TEMPERATURE AND LOW TEMPERATURE PERFORMANCE
- EXCELLENT PROTECTION AGAINST WEAR, RUST AND CORROSION
- EXTENDED SERVICE LIFE WITH LONGER INTERVALS BETWEEN RELUBRICATION



**Toro fuel treatment**  
131-6572 (354.8 ml)

- KEEPS FUEL FRESH FOR UP TO 12+ MONTHS, PERFECT FOR SEASONAL EQUIPMENT
- KEEPS FUEL SYSTEMS CLEAN; CLEANS ENGINES FROM THE INSIDE
- PREVENTS CORROSION; COMPATIBLE WITH E10 FUEL



**Toro Premium engine oil SAE 30**  
108-1197 (19 l pail)

- APPROVED BY TORO ENGINEERING FOR USE IN TORO EQUIPMENT
- MONOGRADE FLUID DESIGNED TO ENDURE HIGH TEMPERATURES IN AIR-COOLED ENGINES
- FORMULATED WITH UNIQUE ADDITIVES DESIGNED TO KEEP ENGINES CLEAN



**Toro Premium engine oil 10W-30**  
121-6393 (19 l pail)

- FORMULATED FOR GASOLINE AND DIESEL ENGINES
- MEETS OEM ENGINE MANUFACTURERS REQUIREMENTS FOR MODERATE CLIMATES
- BUILT-IN CORROSION PROTECTION



**Toro Premium engine oil 15W-40**  
121-6395 (19 l pail)

- FORMULATED FOR GASOLINE AND DIESEL ENGINES
- GREATER ENGINE EFFICIENCY, LONG ENGINE LIFE AND LONG OIL LIFE
- MAINTAINS VISCOSITY IN SEVERE, HIGH-TEMPERATURE SERVICE FOR GREATER WEAR PROTECTION



**Toro Premium all-season gear lube 80W-90**  
108-1590 (1 l)  
108-1187 (19 l pail)

- WIDE MULTIPURPOSE CAPABILITY
- REDUCED WEAR AND EASE OF START-UP AND COMPONENT LIFE
- EXCELLENT THERMAL STABILITY AND RESISTANCE TO HIGH-TEMPERATURE OXIDATION



**Toro Premium all-season gear lube 85W-140**  
108-1591 (1 l)

- PROTECTION AGAINST LOW-SPEED/HIGH-TORQUE WEAR
- EFFECTIVE LOW-TEMPERATURE LUBRICATION
- EXTENDED GEAR AND BEARING LIFE DUE TO MINIMAL DEPOSIT



**Toro Premium full synthetic gear and bearing oil**  
104-8772 (1 l)

- EXTENDS EQUIPMENT HIGH-TEMPERATURE OPERATING CAPABILITY TO REDUCE MAINTENANCE COSTS
- REDUCES FRICTION AND INCREASES WEAR EFFICIENCY
- APPROVED BY TORO ENGINEERING FOR TORO EQUIPMENT

**Toro hydraulic oil dye**  
44-2500 (20 ml)

**Toro aerosol terminal protection**  
107-0392

**Toro dry lube graphite**  
120-4817  
120-4818



# MVP KITS



**QUICK REFERENCE GUIDE**  
MVP KITS

Part number	Description	Quantity
<b>Cutting unit overhaul kits</b>		
<b>130-0105</b>	<b>GR Flex 18/21 (2004–2011) reel overhaul kit</b>	
20-9500	Washer	1
107-3233	Seal-Oil	4
108-3162	Spacer	1
107-3238	V-ring	2
<b>13-3659</b>	<b>GR 300/3000 style (1985–2001) cutting unit overhaul kit</b>	
237-77	O-ring	2
253-61	Seal-Oil	1
253-96	Seal-Oil	2
254-72	Bearing-Cup	2
254-94	Bearing-Cone	2
52-2890	Bushing-Nylon	4
52-2900	Washer-Plastic	2
119-4151	Screw-Special	13
57-5280	Bearing-Cup and cone	2
62-5510	Bushing-Rubber	2
63-9510	Bushing	2
<b>107-1590</b>	<b>GR 300/3000 style (1985-2001) reel overhaul kit</b>	
253-61	Seal-Oil	1
253-96	Seal-Oil	2
254-72	Bearing-Cup	2
254-94	Bearing-Cone	2
3296-60	Nut-Lock	1
<b>107-1590</b>	<b>GR 300/3000 style (1985-2001) reel overhaul kit</b>	
253-61	Seal-Oil	1
253-96	Seal-Oil	2
254-72	Bearing-Cup	2
254-94	Bearing-Cone	2
3296-60	Nut-Lock	1
<b>107-1598</b>	<b>GR 300/3000 style (2002 and on) reel overhaul kit</b>	
104-3388	Seal-Grease	2
253-61	Seal-Oil	1
254-72	Bearing-Cup	2
254-94	Bearing-Cone	2
3296-60	Nut-Lock	1
<b>121-2637</b>	<b>DPA adjusters MVP kit GR Flex/eFlex 1800 and 2100/3000/3300/3400</b>	
106-5363	Shaft-Adjuster	2
106-5344	Bushing-Flanged, keyed	4
119-4164	Washer-Wave	2
32120-93	Ring-Retaining	2
137-6130	Screw-Adjuster, bedbar	2
119-4155	Washer-Hardened	2
119-4156	Spring-Compression	2
119-4039	Nut-Hex, NI	2
99-2097	Detent	2
119-4067	Screw-HH	2

Part number	Description	Quantity
<b>106-6392</b>	<b>Greensmaster dethatching reel blade pack</b>	
106-6355	Blade-11 tooth (carbide)	108
<b>13-3649</b>	<b>RM 216 and Grounds Pro 2000 cutting unit overhaul kit</b>	
253-84	Seal-Oil	1
257-6	Bearing-Thrust	2
52-2890	Bushing-Nylon	2
56-9510	Bushing ASM	2
56-9520	Bushing-Flanged	2
119-4151	Screw-Special	10
62-5510	Bushing-Rubber	2
94-3405	Bearing-Ball	2
<b>107-1590</b>	<b>RM 5100D/5200D/5300D/5400D (1990-2001) reel overhaul kit</b>	
253-61	Seal-Oil	1
253-96	Seal-Oil	2
254-72	Bearing-Cup	2
254-94	Bearing-Cone	2
3296-60	Nut-Lock	1
<b>106-9605</b>	<b>RM 5500D/6500D/6700D SPA bedbar overhaul kit</b>	
106-7536	Bedbar adjuster assembly	1
107-7409	Pin-Pivot, bedbar	1
29-8910	Washer	2
302-18	Fitting-Grease	1
3230-2	Bolt-Carriage	4
3256-74	Washer-Flat	4
3296-29	Nut-Lock	4
3296-62	Nut-Lock	1
52-2890	Bushing-Nyliner	2
62-5510	Bushing-Rubber	2
93-2959	Spacer-Adjuster	1
93-7501	Bushing assembly	2
93-7502	Bushing-Flanged	2
95-0772	Spring-Compression	1
95-8752	Arm-Spring	1
<b>13-3679</b>	<b>RM335D/450D cutting unit overhaul kit</b>	
256-113	Bushing-Flange	2
256-252	Bearing-Flange	2
256-292	Bushing-Nyliner	4
32151-71	Ring-Retaining	1
3257-3	Key-Woodruff	1
48-8880	Pin-Dowel	2
119-4151	Screw-Special	10
59-6140	Bearing	2
62-6110	Bushing ASM	4
76-3580	Spacer-Bedbar	2
93-1414	Seal-Grease	3

Part number	Description	Quantity
<b>95-4389</b>	<b>RM 4000D cutting unit overhaul kit</b>	
256-252	Bearing-Flange	2
256-292	Bushing-Nyliner	4
32151-71	Ring-Retaining	1
48-8880	Pin-Dowel	2
119-4151	Screw-Special	10
59-6140	Bearing	2
62-6110	Bushing ASM	4
75-7570	Key	1
76-3580	Spacer-Bedbar	2
92-9250	Seal-Grease	1
92-9251	Sleeve-Wear	1
92-9252	Bushing-Flange	2
93-1414	Seal-Grease	2
<b>13-3629</b>	<b>RM Gangmower cutting unit overhaul kit</b>	
105-0150	Seal-Grease	2
106-5408	Gasket-Cover	2
106-5409	Gasket-Gear case	2
237-21	O-Ring	2
237-38	O-Ring	2
253-117	Seal-Oil	2
253-122	Seal-Oil	2
253-84	Seal-Oil	2
254-72	Bearing-Cup	2
254-78	Bearing-Cone	4
254-79	Bearing-Cup	4
254-94	Bearing-Cone	2
257-5	Washer-Thrust	4
257-6	Bearing-Thrust	2
47-5640	Spacer-Rubber	2
119-4151	Screw-Special	11
68-7530	Bushing	2
68-9970	Guard-Seal	2
84-8200	Seal-Oil	2
<b>120-7230</b>	<b>HD DPA MVP kit RM3100D/3550/3555/5010-H/5210/5410/5510/5610/6000D7000D</b>	
120-5118	Bearing-Flange	2
120-5116	Bushing-Nyliner	2
106-5344	Ring-Retaining	4
108-0015	Pin-Dowel	2
3296-33	Screw-Special	2
137-6130	Screw-Adjuster, bedbar	2
119-4155	Bushing ASM	2
120-5120	Key	2
119-4039	Spacer-Bedbar	2

Part number	Description	Quantity
<b>Seal kits</b>		
<b>117-2727</b>	<b>Hydraulic connector O-rings seal kit</b>	
237-21	3/16" ORFS	10
237-22	1/4" ORFS	10
237-30	3/8" ORFS	10
237-65	1" ORFS	10
237-58	1 1/8" ORFS	10
340-65	1 1/2" ORFS	10
237-156	3/16" SAE	10
237-78	7/16" SAE	10
237-42	9/16" SAE	10
237-79	3/4" SAE	10
237-80	7/8" SAE	10
237-81	1 1/8" SAE	10
237-146	1 1/2" SAE	10
93-4132	1/2" (HYD trans end cap)	10
237-54	3/4" (HYD relief cartridge)	10
237-38	1 3/4" (GR 500 clutch and RM Gangmower gear case)	10
93-9783	2 7/8" (HYD motor mounting)	10
237-161	3 1/4" (Transmission mounting)	10
353-949	3 1/2" (HYD motor mounting)	10
237-95	3 3/4" (HYD trans charge pump)	10
237-158	4" (HYD motor mounting)	10
<b>108-3263</b>	<b>Multi Pro open boom sprayer seal kit</b>	
108-3266	Seal kit	1
108-3267	Seal kit	1
108-3268	Seal kit	1
<b>106-6937</b>	<b>DPA reel seal kit</b>	
106-6927	Sleeve	2
106-6926	Seal	2
253-134	Seal	2
106-6929	V-ring	2
104-0532	Washer-pulley	1
<b>136-1010</b>	<b>GM 3280 seal overhaul rebuilt kit</b>	
136-1021	Lip Seal-Shaft	1
136-1023	Gasket-End cap	1
136-1031	O-ring	1
136-1032	O-ring	1
Not serviced separately	Lip seal, journal bearing	1
Not serviced separately	O-ring, journal bearing	2
Not serviced separately	O-ring, bypass valve	1
Not serviced separately	Back-up ring	1
Not serviced separately	O-ring, bypass valve	1
Not serviced separately	O-ring, plug	2
Not serviced separately	O-ring, plug	1



**QUICK REFERENCE GUIDE**  
**MVP KITS**

Part number	Description	Quantity
<b>Bearing kits</b>		
<b>121-9517</b>	<b>GR Flex 18/21 (2012 and on) GR 3300/3400 (2011 and on) Groomer rebuild kit</b>	
107-8105	Bearing-Ball, extended race	3
106-8530	Seal-Grease	3
120-3237	O-ring	1
360-0398	O-ring	1
251-259	Bearing-Ball	2
104-4727	Ring-Retaining	1
104-4705	Belt-Groomer	1
<b>110-4086</b>	<b>RM5210/5410/5510/5610 RM6500D/6700D DPA Groomer and rear roller brush bearing kit</b>	
95-0707	Bearing-Self aligning	1
106-8530	Seal-Grease	3
108-4172	Seal-Excluder	1
<b>108-2132</b>	<b>ProCore 648 coring head bearing kit (2004-2007)</b>	
106-8871	Bearing-Ball	6
105-0965	Bearing-Ball	6
251-311	Bearing-Ball	24
106-8872	Ring-Retaining	6
<b>131-4876</b>	<b>ProCore 648 coring head bearing kit (2008 and on)</b>	
110-4556	Bearing-Ball	12
105-0965	Bearing-Ball	6
231-311	Bearing-Ball	24
32151-76	Ring-Retaining	6
110-4557	Spacer-Bearing	6
<b>Cutting unit hydraulic hose kits</b>		
<b>117-0289</b>	<b>GM 4300-D hydraulic hose kit</b>	
117-0213	Hydraulic hose assembly	1
117-0211	Hydraulic hose assembly	1
117-0212	Hydraulic hose assembly	1
117-0299	Hydraulic hose assembly	4
104-9323	Hose-Hyd	1
92-7638	Hose assembly	1
105-1215	Hose-Hyd	4
108-6507	Hose-Hyd	2
3334-945	Tie-Cable	15
237-21	O-ring	10
237-65	O-ring	28
106-3662	Hose - Hyd	4

Part number	Description	Quantity
<b>98-0642</b>	<b>GR 3000/3050/3100 cutting unit hydraulic hose kit</b>	
95-5984	Hydraulic hose assembly	1
95-5985	Hydraulic hose assembly	1
95-5986	Hydraulic hose assembly	1
95-5987	Hydraulic hose assembly	1
95-5988	Hydraulic hose assembly	1
95-5989	Hydraulic hose assembly	1
<b>140-5236</b>	<b>MVP kit - GR3150 hydraulic hose kit</b>	
139-6533	Hose assembly	1
139-6531	Hose assembly	1
105-5402	Hydraulic hose assembly	1
139-6529	Hose assembly	2
139-6532	Hose assembly	1
106-9674	Hydraulic hose assembly	1
105-5405	Hydraulic hose assembly	1
139-6530	Hose assembly	1
237-30	O-ring	6
237-65	O-ring	6
237-21	O-ring	4
237-22	O-ring	2
<b>140-5235</b>	<b>MVP kit - GR3250-5 hydraulic hose kit</b>	
106-9674	Hydraulic hose assembly	2
139-6529	Hose assembly	2
139-6530	Hose assembly	2
139-6528	Hose assembly	2
105-5405	Hydraulic hose assembly	1
237-30	O-ring	12
237-21	O-ring	6
139-6529	Hose-Hyd (ASM)	2
139-6530	Hose-Hyd (ASM)	2
139-6528	Hose ASM	2
<b>140-5235</b>	<b>MVP kit - GR3250-5 hydraulic hose kit</b>	
106-9674	Hydraulic hose assembly	2
139-6529	Hose assembly	2
139-6530	Hose assembly	2
139-6528	Hose assembly	2
105-5405	Hydraulic hose assembly	1
237-30	O-ring	12
237-21	O-ring	6
139-6529	Hose-Hyd (ASM)	2
139-6530	Hose-Hyd (ASM)	2
139-6528	Hose ASM	2

Part number	Description	Quantity
<b>140-5233</b>	<b>MVP kit - GR Triflex hydraulic hose rebuild</b>	
139-6494	Hydraulic hose assembly	1
139-6495	Hydraulic hose assembly	1
139-6536	Hose assembly	1
139-6496	Hydraulic hose assembly	1
139-6497	Hydraulic hose assembly	1
139-6535	Hose assembly	1
139-6498	Hydraulic hose assembly	1
139-6499	Hydraulic hose assembly	1
139-6534	Hose assembly	1
237-30	O-ring	12
237-21	O-ring	3
237-22	O-ring	3
<b>117-2724</b>	<b>RM 3100D SPA cutting unit 1999-2009 hydraulic hose kit</b>	
95-8836	Hydraulic hose assembly	2
95-8835	Hydraulic hose assembly	2
95-8837	Hydraulic hose assembly	2
95-8826	Hydraulic hose assembly	1
95-8827	Hydraulic hose assembly	1
95-8828	Hydraulic hose assembly	1
237-30	O-ring	8
237-65	O-ring	4
237-42	O-ring	2
237-21	O-ring	2
237-22	O-ring	2
<b>117-2723</b>	<b>RM 4000D cutting unit hydraulic hose kit</b>	
98-7401	Hydraulic hose assembly	1
60-3340	Hydraulic hose assembly	1
98-7400	Hydraulic hose assembly	1
98-7403	Hydraulic hose assembly	4
58-5730	Hydraulic hose assembly	1
98-7404	Hydraulic hose assembly	2
237-22	O-ring	10
237-65	O-ring	18
<b>104-9317</b>	<b>RM5200D/5400D cutting unit hydraulic hose kit</b>	
100-3876	Hydraulic hose assembly	1
100-3877	Hydraulic hose assembly	1
100-3878	Hydraulic hose assembly	1
100-3879	Hydraulic hose assembly	1
104-0057	Hydraulic hose assembly	1
104-0069	Hydraulic hose assembly	1
104-9321	Hydraulic hose assembly	1
104-9322	Hydraulic hose assembly	1
104-9323	Hydraulic hose assembly	1
98-4583	Hydraulic hose assembly	2

**QUICK REFERENCE GUIDE**  
**MVP KITS**

Part number	Description	Quantity
98-4584	Hydraulic hose assembly	1
98-4587	Hydraulic hose assembly	1
3290-379	Tie-Cable	10
99-5617	Sleeve-Protective	1
99-5648	Sleeve-Protective	4
237-30	Seal-O-ring	20
237-21	Seal-O-ring	10
<b>117-2720</b>	<b>RM 5210/5410/5510/5610 cutting unit hydraulic hose kit (2008-2009)</b>	
106-3672	Hydraulic hose assembly	4
98-4590	Hydraulic hose assembly	2
114-8868	Hydraulic hose assembly	4
106-3680	Hydraulic hose assembly	2
104-3669	Hydraulic hose assembly	1
106-3670	Hydraulic hose assembly	1
106-3671	Hydraulic hose assembly	1
3334-945	Tie-Cable	15
237-30	O-ring (ORFS - 8)	20
237-21	O-ring (ORFS - 4)	10
<b>119-6955</b>	<b>RM 5210/5410/5510/5610 (2010+) cutting unit hydraulic hose kit</b>	
114-0633	Hydraulic hose assembly	5
98-4590	Hydraulic hose assembly	2
117-5188	Hydraulic hose assembly	4
106-3680	Hydraulic hose assembly	2
117-5190	Hydraulic hose assembly	1
106-3670	Hydraulic hose assembly	1
3334-945	Tie-Cable	15
237-30	O-ring (ORFS - 8)	10
237-21	O-ring (ORFS - 4)	10
237-65	O-ring (ORFS -10)	10
<b>104-9314</b>	<b>RM 5500D reel drive hose kit</b>	
104-0069	Hydraulic hose assembly	4
104-0057	Hydraulic hose assembly	4
104-0068	Hydraulic hose assembly	1
104-0067	Hydraulic hose assembly	1
104-0064	Hydraulic hose assembly	1
104-0058	Hydraulic hose assembly	2
104-0063	Hydraulic hose assembly	2
3290-379	Tie-Cable	10
237-30	O-ring (ORFS - 8)	20
237-21	O-ring (ORFS - 4)	5
237-22	O-ring (ORFS - 6)	2



**QUICK REFERENCE GUIDE**  
**MVP KITS**

Part number	Description	Quantity
<b>Cutting unit hydraulic hose kits continued</b>		
<b>105-0139</b>	<b>RM 6500D/6700D (5 units) cutting unit hydraulic hose kit</b>	
105-7901	Hydraulic hose assembly	4
105-7902	Hydraulic hose assembly	2
105-7903	Hydraulic hose assembly	4
92-7559	Hydraulic hose assembly	2
92-7560	Hydraulic hose assembly	1
99-5614	Hydraulic hose assembly	2
237-21	O-ring	10
237-30	O-ring	20
3253-4	Washer-Lock	6
3290-379	Tie-Cable	10
33114-020	Screw-HH	6
99-5617	Sleeve-Protective	5
99-5621	Guide-Hose	3
<b>105-0140</b>	<b>RM 6700D (2 wing units) cutting unit hydraulic hose kit</b>	
105-7900	Hydraulic hose assembly	4
94-1433	Hydraulic hose assembly	2
237-21	O-ring	4
237-30	O-ring	8
3253-4	Washer-Lock	4
3290-378	Tie-Cable	4
33114-020	Screw-HH	4
3334-945	Tie-Cable	2
100-3814	Sleeve-Protective	2
99-5621	Guide-Hose	2
<b>Roller rebuild kits</b>		
<b>107-1588</b>	<b>GR 800/1000/1600 roller rebuild kit</b>	
302-5	Fitting-Grease	2
52-3180	Bearing-Roller	2
<b>107-1589</b>	<b>GR 3/300/ style Wiehle roller rebuild kit</b>	
302-57	Fitting-Grease	2
52-3180	Bearing-Roller	2
<b>107-1588</b>	<b>GR 3/300/3000 style roller rebuild kit</b>	
302-5	Fitting-Grease	2
52-3180	Bearing-Roller	2
<b>107-1591</b>	<b>GR 3200 style (1995-1998) roller rebuild kit</b>	
93-2525	Ring-Retaining	2
93-2559	Bearing-Ball	2
302-5	Fitting-Grease	2
<b>107-1593</b>	<b>GR 3200 Style (1999-2000) roller rebuild kit</b>	
302-5	Fitting-Grease	2
32151-12	Ring-Retaining	2
85-7190	Washer-Shield	2
85-9970	Bearing-Ball	2

Part number	Description	Quantity
<b>140-5552</b>	<b>GR DPA (2004 and on) roller rebuild kit</b>	
106-6941	Seal	2
106-6942	V-ring	2
251-347	Bearing-Ball	2
107-8133	Washer-Flat	2
107-3505	Spacer-Tool, roller	2
104-6126	Washer-Flat	2
<b>106-9627</b>	<b>GR DPA rear roller brush rebuild kit</b>	
106-9626**	Shaft	1
105-6792	Brush-Roller	1
104-1830	Bolt-J	2
3296-2	Nut-Lock	2
<b>106-9607</b>	<b>Grounds Pro 2000 RM216/2000/2300/2600/3100 roller rebuild kit</b>	
105-0150	Seal-Grease	2
253-152	Seal-Oil	2
254-78	Bearing-Cone	2
254-79	Bearing-Cup	2
<b>107-1592</b>	<b>RM 223D/5100D/5200D/5300D/5400D (1990-2000) front roller rebuild kit</b>	
302-57	Fitting-Grease	2
75-1290	Bearing-Roller	2
<b>107-1593</b>	<b>RM 5100D/5200D/5300D/5400D (1993-2000) rear roller rebuild kit</b>	
302-5	Fitting-Grease	2
32151-12	Ring-Retaining	2
85-7190	Washer-Shield	2
85-9970	Bearing-Ball	2
<b>107-1592</b>	<b>RM 223D/5100D/5200D/5300D/5400D dethatching reel roller rebuild kit</b>	
302-57	Fitting-Grease	2
75-1290	Bearing-Roller	2
<b>106-9606</b>	<b>RM 5200D/5400D (2001 and on) RM 5210/5410/5510/5610 (2006-2007) roller rebuild kit</b>	
109966	Bearing-Ball	2
253-70	Seal-Oil	2
32120-62	Ring-Retaining	2
93-1251	Seal-Inner	2
93-1252	Seal-Outer	2
93-2931	Washer-Roller	2
93-3007	Seal-Oil	2
<b>114-5430</b>	<b>RM 5010-H/5210/5410/5510/5610/6500D/6700D (2008 and on) roller rebuild kit</b>	
114-3717	Seal-Inner	2
112-5290	Bearing-Ball	2
112-7494	Seal-Outer	4
114-5411	Nut-Bearing Lock	2

Part number	Description	Quantity
<b>106-9606</b>	<b>RM5500D/6500D/6700D SPA RM6500D/6700D DPA (2007) roller rebuild kit</b>	
109966	Bearing-Ball	2
253-70	Seal-Oil	2
32120-62	Ring-Retaining	2
93-1251	Seal-Inner	2
93-1252	Seal-Outer	2
93-2931	Washer-Roller	2
93-3007	Seal-Oil	2
<b>106-9627</b>	<b>RM5200D/5400D RM5500D/6500D/6700D SPA rear roller brush rebuild kit</b>	
106-9626**	Shaft	1
105-6792	Brush-Roller	1
104-1830	Bolt-J	2
3296-2	Nut-Lock	2
<b>107-1595</b>	<b>GM 3500D/4500D/4700D (2000-03) roller rebuild kit</b>	
251-347	Bearing-Ball	2
32120-15	Ring-Snap	2
99-3842	Seal-Oil	2
<b>106-9606</b>	<b>GM 3500D/3505D/4500D/4700D (2003-2007) roller rebuild kit</b>	
109966	Bearing-Ball	2
253-70	Seal-Oil	2
32120-62	Ring-Retaining	2
93-1251	Seal-Inner	2
93-1252	Seal-Outer	2
93-2931	Washer-Roller	2
93-3007	Seal-Oil	2
<b>114-5430</b>	<b>GM 3500D/3505D/4500D/4700D (2007 and on) roller rebuild kit</b>	
114-3717	Seal-Inner	2
112-5290	Bearing-Ball	2
112-7494	Seal-Outer	4
112-5411	Nut-Bearing Lock	2

**Groundsmaster® deck kits**

<b>95-3078</b>	<b>GM 200 series 132 cm/52" RD/SD spindle kit</b>	
27-0870	Spindle assembly	1
32128-21	Nut-Hex flange	6
3231-22	Screw-Carriage	6
3256-24	Washer-Flat	6
72-9361	Cup-Anti-scalp	1
92-5816	Bolt-Blade	1

**QUICK REFERENCE GUIDE**  
**MVP KITS**

Part number	Description	Quantity
<b>95-3079</b>	<b>GM 200 series 158 cm/62" SD spindle kit</b>	
44-6370	Spindle assembly	1
32128-21	Nut-Hex flange	6
3231-22	Screw-Carriage	6
3256-24	Washer-Flat	6
72-9361	Cup-Anti-scalp	1
92-5816	Bolt-Blade	1
<b>95-3081</b>	<b>GM 200 series 158 cm/62" Guardian spindle kit</b>	
253-139	Seal-Oil	2
27-0960	Bearing Set	1
302-2	Fitting-Grease	1
32128-21	Nut-Hex flange	6
3231-27	Screw-Carriage	6
3256-24	Washer-Flat	6
32146-20	Nut-Lock	1
61-4160	Housing-Spindle	1
27-5970	Spacer-Spindle shaft	1
72-9361	Cup-Anti-scalp	1
92-5604	Shaft-Spindle	1
92-5606	Spacer-Spindle shaft	1
92-5607	Pulley and hub assembly	1
92-5816	Bolt-Blade	1
<b>95-3089</b>	<b>GM 300 series 183 cm/72" RD/SD left spindle kit</b>	
84-2030	Spindle assembly	1
32128-21	Nut-Hex flange	8
3234-1	Screw-Hex flange	6
3234-11	Screw-Hex flange	2
3256-24	Washer-Flat	8
<b>95-3090</b>	<b>GM 300 series 183 cm/72" RD/SD centre spindle kit</b>	
84-2040	Spindle assembly	1
32128-21	Nut-Hex flange	8
3234-1	Screw-Hex flange	8
3256-24	Washer-Flat	8
<b>138-6408</b>	<b>GM 300 series 183 cm/72" RD/SD centre spindle kit</b>	
84-2050	Spindle assembly	1
32128-21	Nut-Hex flange	8
3234-1	Screw-Hex flange	6
3234-11	Screw-Hex flange	2
3256-24	Washer-Flat	8
<b>95-3091</b>	<b>GM 300 series 183 cm/72" Guardian spindle kit</b>	
17-5979**	Spindle assembly	1
32128-21	Nut-Hex flange	6
3231-27	Screw-Carriage	6
3256-24	Washer-Flat	6
72-9361	Cup-Anti-scalp	1



Part number	Description	Quantity
<b>Groundsmaster® deck kits continued</b>		
<b>138-1930</b>	<b>GM 3280D/3320 side discharge spindle kit</b>	
104-3546	Pulley-Driven	1
108-1991	Spindle Housing assembly	1
108-1956	Spindle Shaft assembly	1
104-3564	Seal-V-ring	1
104-8322	Washer-Hardened	1
106-7159	O-ring	1
3296-60	Nut-Lock	1
69-6950	Spacer-Spindle shaft	1
<b>139-1039</b>	<b>GM 3280D/3320/4000D/4100D RD/Guardian spindle kit</b>	
104-3546	Pulley-Driven	1
119-4546	Spindle housing assembly	1
104-3554	Spindle shaft assembly	1
104-3564	Seal-V-ring	1
104-8322	Washer-Hardened	1
106-7159	O-ring	1
3296-60	Nut-Lock	1
69-6950	Spacer-Spindle shaft	1
<b>121-3666</b>	<b>GM 3500D/3500G/3505D/4500D/4700D spindle kit</b>	
100-5703	Spacer and bearing assembly	1
136-3339	Spindle shaft assembly	1
253-154	Seal-Oil	2
69-6950	Spacer-Spindle shaft	1
100-5709	Nut-Spindle, special	1
302-62	Fitting-Grease	2
94-2703	Plug	1
505-7	Grease	57 g
<b>69-8400</b>	<b>GM 580D all decks (1989-2001), wing deck (2002 and on) spindle kit</b>	
69-8390-03	Pulley assembly	1
138-6388	Spindle shaft assembly	1
253-154	Seal-Oil	2
3296-49	Nut-Lock	1
108-1483	Washer-Thrust	1
6590003	O-ring	1
69-1530	Housing-Spindle	1
69-6950	Spacer-Spindle shaft	1
71-2530	Bearing and spacer set	1
302-2	Fitting-Grease	1

Part number	Description	Quantity
<b>138-6465</b>	<b>GM 580D centre deck (2002 and on) centre spindle kit</b>	
106-0023	Pulley-Centre	1
138-6388	Spindle shaft assembly	1
253-154	Seal-Oil	2
3296-49	Nut-Lock	1
108-1483	Washer-Thrust	1
6590003	O-ring	1
69-1530	Housing-Spindle	1
69-6950	Spacer-Spindle shaft	1
71-2530	Bearing and spacer set	1
302-2	Fitting-Grease	1
<b>106-0006</b>	<b>GM 580D centre deck (2002 and on) outer spindle kit</b>	
106-0022	Pulley-Outboard	1
138-6388	Spindle shaft assembly	1
253-154	Seal-Oil	2
3296-49	Nut-Lock	1
108-1483	Washer-Thrust	1
6590003	O-ring	1
69-1530	Housing-Spindle	1
69-6950	Spacer-Spindle shaft	1
71-2530	Bearing and spacer set	1
302-2	Fitting-Grease	1
<b>105-7269</b>	<b>GM 7200/7210 158 cm/62" Guardian 183 cm/72" Guardian tall grass kit</b>	
112-1480-01	Plate-Right	1
112-1482-01	Plate-Left	1
104-8300	Nut-Flange	4
3230-2	Bolt-Carriage	4
<b>Groundsmaster® blade and belt kits</b>		
<b>95-3070</b>	<b>GM 200 series 132 cm/52" RD/SD deck blade and belt kit</b>	
27-0990-03	Blade-Standard 45.7 cm (18")	3
27-1160	V-belt	1
<b>95-3071</b>	<b>GM 200 series 158 cm/62" SD deck blade and belt kit</b>	
44-6250-03	Blade-Standard 55.2 cm (21.75")	3
44-6260	V-belt	1
<b>95-3072</b>	<b>GM 200 series 183 cm/72" SD deck blade and belt kit</b>	
94-1861-03	Blade-Standard 62.9 cm (24.75")	3
57-0240	V-belt	1
<b>95-3087</b>	<b>GM 300 series 183 cm/72" RD/SD deck blade and belt kit</b>	
29-5530-03	Blade-Standard 63.5 cm (25")	3
21-0890	V-belt	3
<b>95-3094</b>	<b>GM 300 series 183 cm/72" RD/SD deck blade and belt kit</b>	
23-2410-03	Blade-High sail 63.5 cm (25")	3
21-0890	V-belt	3

Part number	Description	Quantity
<b>95-3088</b>	<b>GM 300 series 183 cm/72" Guardian blade and belt kit</b>	
85-6040-03	Blade-Standard 63.5 cm (25")	3
93-8457	V-belt-Hex	1
<b>110-4770</b>	<b>GM 3280D/3320 152 cm/60" SD blade and belt kit</b>	
110-4701	Blade-Medium sail 52.1 cm (20.5")	3
108-4391	Belt-Hex	1
<b>110-4768</b>	<b>GM 3280D/3320 158 cm/62" RD/Guardian blade and belt kit</b>	
92-5608-03	Blade-Standard 55.2 cm (21.75")	3
107-4788	Belt-Hex	1
<b>110-4771</b>	<b>GM 3280D/3320 183 cm/72" SD blade and belt kit</b>	
110-0621	Blade-Medium sail 62.2 cm (24.5")	3
108-4393	Belt-Hex	1
<b>110-4769</b>	<b>GM 3280D/3320 183 cm/72" RD/Guardian blade and belt kit</b>	
108-1958-03	Blade-Standard 63.5 cm (25")	3
107-4738	Belt-Hex	1
<b>132-1440</b>	<b>GM 5900/5910 blade and belt kit</b>	
112-7376	Belt-V	1
112-7377	Belt-V	6
130-9151-03	Blade-50.8 cm (20")	11
<b>115-8898</b>	<b>GM 5900/5910 centre and wing decks blade and belt kit</b>	
110-5946-03	Blade-Standard 50.8 cm (20")	11
112-7376	Belt-V	1
112-7377	Belt-V	6
<b>105-7270</b>	<b>GM 7200/7210 158 cm/62" Guardian blade and belt kit</b>	
92-5608-03	Blade-Standard 55.2 cm (21.75")	3
110-9594	Belt-V	1
110-9595	Belt-V	1
<b>105-7271</b>	<b>GM 7200/7210 183 cm/72" Guardian blade and belt kit</b>	
108-1958-03	Blade-Standard 63.5 cm (25")	3
110-9592	Belt-V	1
110-9593	Belt-V	1
<b>105-7272</b>	<b>GM 7200/7210 183 cm/72" SD deck blade and belt kit</b>	
110-0621-03	Blade-Medium sail 62.2 cm (24.5")	3
110-9590	Belt-V	1
110-9591	Belt-V	1

Part number	Description	Quantity
<b>Groundsmaster® castor wheel kits</b>		
<b>95-3077</b>	<b>GM 200 series 132 cm/52" RD/SD (1989 and on) 158 cm/62" SD (1989-98) 183 cm/72" SD (1989-1997) castor wheel kit</b>	
68-8970	Tyre and bearing assembly	2
68-8980	Spanner-Tyre	2
32153-5	Nut-Lock	2
325-19	Screw-HH	2
3256-6	Washer-Flat	4
<b>68-8970</b>	<b>GM 200 series 132 cm/52" RD/SD (1989 and on) 158 cm/62" SD (1989-1998) 183 cm/72" SD (1989-1997) castor wheel</b>	
68-9840	Wheel and hub assembly	1
62-5580	Bearing-Outside	2
62-5570	Bearing roller cage	1
302-40	Fitting-Grease	1
<b>95-3076</b>	<b>GM 200 series 158 cm/62" Guardian Recycler castor wheel kit</b>	
85-5760	8" castor wheel assembly	4
62-4340	Spanner	4
32128-23	Nut-Hex flange	4
325-22	Screw-HH	4
3256-6	Washer-Flat	8
<b>85-5760</b>	<b>GM 200 series 158 cm/62" Guardian Recycler castor wheel</b>	
85-5760	Wheel and hub assembly	1
83-4740	Bearing roller cage	1
62-5580	Bearing-Outside	2
302-40	Fitting-Grease	1
<b>95-3086</b>	<b>GM 300 series 183 cm/72" RD/SD (1988 and on) castor wheel kit</b>	
92-1655	Castor wheel assembly-Front	2
63-8400	Castor wheel assembly-Rear	2
62-4340	Spanner-Front	2
63-1770	Spanner-Rear	2
32128-23	Nut-Hex flange	4
325-18	Screw-HH	2
325-22	Screw-HH	2
3256-6	Washer-Flat	8
<b>95-3082</b>	<b>GM 300 series 183 cm/72" RD/SD (1983 and on) front castor wheel</b>	
92-1655	Wheel assembly-Front	1
62-4340	Spanner-Front	1
32128-23	Nut-Hex flange	1
325-22	Screw-HH	1
3256-6	Washer-Flat	2



**QUICK REFERENCE GUIDE**  
MVP KITS

Part number	Description	Quantity
<b>95-3084</b>	<b>GM 300 series 183 cm/72" RD/SD (1988 and on) rear castor wheel</b>	
63-8400	Castor wheel assembly-Rear	1
63-1770	Spanner-Rear	1
32128-23	Nut-Hex flange	1
325-18	Screw-HH	1
3256-6	Washer-Flat	2
68-8980	Spanner-Tyre	2
32153-5	Nut-Lock	2
325-19	Screw-HH	2
3256-6	Washer-Flat	2
<b>95-3085</b>	<b>GM 300 series 183 cm/72" Guardian Recycler castor wheel kit</b>	
92-1655	Castor wheel assembly-Front	2
85-5760	Castor wheel assembly-Rear	2
32128-23	Nut-Hex flange	4
325-22	Screw-HH	4
3256-6	Washer-Flat	8
62-4340	Spanner	4
<b>95-3083</b>	<b>GM 300 series 183 cm/72" Guardian Recycler rear castor wheel</b>	
85-5760	Castor wheel assembly-Rear	1
62-4340	Spanner	1
32128-23	Nut-Hex flange	1
325-22	Screw-HH	1
3256-6	Washer-Flat	2
<b>95-3077</b>	<b>GM 3280D/3320 132 cm/52" SD castor wheel kit</b>	
68-8970	Tyre and bearing assembly	2
68-8980	Spanner-Tyre	2
32153-5	Nut-Lock	2
325-19	Screw-HH	2
3256-6	Washer-Flat	2
<b>68-8970</b>	<b>GM 3280D/3320 132 cm/52" SD castor wheel</b>	
68-8970	Tyre and bearing assembly	1
<b>110-4767</b>	<b>GM 3280D/3320 152 cm/60" SD 158 cm/62" RD/Guardian 183 cm/72" RD/SD/Guardian castor wheel</b>	
93-9938	20.3 cm wheel assembly	1
327-24	Screw-HH	1
3296-53	Nut-Lock	1

Part number	Description	Quantity
<b>Groundsmaster® blade packs</b>		
<b>108-1477</b>	<b>GM 200 series GM 3280D/3320 132 cm/52" RD/SD atomic blade pack</b>	
104-1301	Blade - Atomic 45.7 cm (18")	6
<b>106-0631</b>	<b>GM 200 series GM 3280D/3320 158 cm/62" RD/SD atomic blade pack</b>	
104-1303	Blade - Atomic 55.2 cm (21.75")	6
<b>108-1478</b>	<b>GM 200 series 183 cm/72" RD/SD atomic blade pack</b>	
104-1304	Blade - Atomic 62.9 cm (24.75")	6
<b>108-1454</b>	<b>GM 300 series GM 3280D/3320 183 cm/72" RD/SD atomic blade pack</b>	
106-4353-03	Blade - Atomic 63.5 cm (25")	6
<b>108-1452</b>	<b>GM 455D 320 cm/126" Quadfloat atomic blade pack</b>	
107-0216-03	Blade - Atomic 48.3 cm (19")	7
<b>108-1453</b>	<b>GM 580D centre and wing decks atomic blade pack</b>	
107-0217-03	Blade - Atomic 50.8 cm (20")	11
<b>140-0028</b>	<b>GM 1200 atomic blade pack</b>	
139-7799-03	Blade - Atomic 48.3 cm (19")	9
<b>108-1462</b>	<b>GM 3500D/3505D 69 cm/27" RD atomic blade pack</b>	
107-0235-03	Blade - Atomic 68.6 cm (27")	6
<b>117-2722</b>	<b>GM 4000D 335 cm/132" RD standard blade pack</b>	
92-5608-03	Blade-Standard 48.3 cm (19")	7
<b>110-6130</b>	<b>GM 4000D 335 cm/132" RD flat sail blade pack</b>	
110-6115-03	Blade-Flat Sail 55.2 cm (21.75")	7
<b>108-1450</b>	<b>GM 4000D 335 cm/132" RD atomic blade pack</b>	
107-0214-03	Blade-Atomic 55.2 cm (21.75")	7
<b>137-5500</b>	<b>GM 4000D 335 cm/132" medium sail blade pack</b>	
136-4370-03	Blade-Medium sail 55.2 cm (21.75")	7
<b>110-6140</b>	<b>GM 4100D 315 cm/124" RD flat sail blade pack</b>	
110-6116-03	Blade - Flat sail 48.3 cm (19")	7
<b>108-1451</b>	<b>GM 4100D 315 cm/124" RD atomic blade pack</b>	
107-0215-03	Blade - Atomic 48.3 cm (19")	7
<b>108-1463</b>	<b>GM 4500D 69 cm/27" RD atomic blade pack</b>	
107-0235-03	Blade - Atomic 68.6 cm (27")	5
<b>108-0800</b>	<b>GM 4500D 69 cm/27"</b>	
108-9026	Blade - Combination 68.6 cm (27")	5
<b>108-0800</b>	<b>GM 3500D Combo blade pack</b>	
108-9026	Blade - Combination 68.6 cm (27")	5
<b>108-1464</b>	<b>GM 4700D 69 cm/27" RD atomic blade pack</b>	
107-0235-03	Blade - Atomic 68.6 cm (27")	7
<b>115-8896</b>	<b>GM 5900/5910 (2008-2016) centre and wing decks standard blade pack</b>	
110-5946-03	Blade-Standard 50.8 cm (20")	11
<b>114-0897</b>	<b>GM 5900/5910 (2008-2016) centre and wing decks atomic blade pack</b>	
110-5948-03	Blade - Atomic 50.8 cm (20")	11

Part number	Description	Quantity
<b>119-8020</b>	<b>GM 360 atomic blade pack</b>	
110-0624-03	Blade-Atomic 62.2 cm (24.5")	3
<b>119-8021</b>	<b>GM 360 High-flow blade pack</b>	
110-0622-03	Blade-Medium flow 62.2 cm (24.5")	3
<b>Filter kits</b>		
<b>31196***</b>	<b>Outcross 9060 500-hour filter kit</b>	
108-3814	Air filter	1
125-2915	Fuel/Water separator	1
125-7025	Engine filter	2
125-8752	Oil fuel filter	1
121-8457	Filter-Air	1
<b>30065**</b>	<b>Greensmaster 500/800/1000/1600 and Flex 18/21 (up to 2011) filter kit</b>	
93-8636	Air filter	1
93-8637	Air filter	1
93-8584	Spark plug	1
<b>30097**</b>	<b>Greensmaster 500/800/1000/1600 and Flex 18/21 (2012 and on) filter kit</b>	
121-0618	Element set	1
121-0547	Spark plug	1
<b>30064**</b>	<b>Greensmaster 3150 (up to 2011) 400-hour filter kit</b>	
107-7817	Oil filter	5
107-9531	Hydraulic oil filter	1
92-0527	Air cleaner cartridge	1
92-0530	Filter element	1
<b>131-6262</b>	<b>Greensmaster 3120/3150D (2012 and on) 800-hour filter kit</b>	
107-7817	Oil filter	9
92-0527	Air cleaner cartridge	8
107-9531	Hydraulic oil filter	2
94-2690	Fuel filter	1
108-6945	Spark plug	2
<b>131-8785</b>	<b>Greensmaster 3150 (2012 and on) 800-hour standard filter kit</b>	
107-7817	Oil filter	8
92-0527	Air cleaner cartridge	8
107-9531	Hydraulic oil filter	1
94-2690	Filter-Fuel	1
108-6945	Spark plug	2
<b>44955**</b>	<b>Greensmaster 3120/3150 MVP 1,000-hour filter kit (units with PX hydraulic fluid) (2019 and on)</b>	
92-0527	Air cleaner cartridge	10
107-7817	Engine oil filter	10
94-2690	Fuel filter	2
108-6945	Spark plug	2
107-9531	Hydraulic filter	1
121-2583	Filter-Fuel, in-line	1

Part number	Description	Quantity
<b>30018**</b>	<b>Greensmaster 3250D (2003-2006) 400-hour filter kit</b>	
108-3842	Engine oil filter	5
107-9531	Hydraulic oil filter	1
108-3811	Air filter	2
<b>30062**</b>	<b>Greensmaster 3250D (2007-2011) 400-hour filter kit</b>	
108-3842	Engine oil filter	3
107-9531	Hydraulic oil filter	1
108-3811	Air filter	2
112-9188	Filter element	1
<b>30086**</b>	<b>Greensmaster 3250D (2012 and on) 500-hour filter kit</b>	
115-8189	Engine oil filter (Kubota D902)	4
107-9531	Hydraulic oil filter	1
108-3811	Air filter	2
110-9049	Filter-Spin on	1
<b>44968**</b>	<b>Greensmaster 3250-D MVP 1,000-hour filter kit (units w/ PX hydraulic fluid) (2019 and on)</b>	
115-8189	Engine oil filter	11
108-3811	Air filter	5
110-9049	Fuel filter-Spin on	2
107-9531	Hydraulic oil filter	1
<b>30042**</b>	<b>Greensmaster 3300/3320 400-hour filter kit</b>	
108-5194	Hydraulic oil filter	1
107-7817	Engine oil filter	5
<b>44969**</b>	<b>Greensmaster 3300/3320 MVP 1,000-hour filter kit (units w/ PX hydraulic fluid) (2019 and on)</b>	
92-0527	Air cleaner cartridge	10
107-7817	Engine oil filter	10
94-2690	Fuel filter	2
108-6945	Spark plug	2
108-5194	Hydraulic oil filter	1
<b>30043**</b>	<b>Greensmaster 3400/3420 400-hour filter kit</b>	
108-3811	Air filter	1
108-5194	Hydraulic oil filter	1
115-8189	Engine oil filter	3
<b>44970**</b>	<b>Greensmaster 3400/3420 TriFlex MVP 1,000-hour filter kit (units w/ PX hydraulic fluid) (2019 and on)</b>	
115-8189	Engine oil filter	11
108-3811	Air filter	5
110-9049	Fuel filter-Spin on	2
108-5194	Hydraulic oil filter	1
<b>44971**</b>	<b>Greensmaster 3360 E-TriFlex MVP 400-hour filter kit (2019 and on)</b>	
119-5852	Oil filter	4
120-7448	Air filter	2

**QUICK REFERENCE GUIDE**  
MVP KITS



**QUICK REFERENCE GUIDE**  
MVP KITS

Part number	Description	Quantity
<b>Filter kits continued</b>		
<b>30016** Reelmaster 3100D (1999–2007) 400-hour filter kit</b>		
108-3841	Engine oil filter	3
54-0110	Hydraulic oil filter	3
108-3811	Air filter	2
98-9764	Fuel/Water separator	1
108-3828	Fuel filter-In-line	1
<b>44963** Reelmaster 3100D (2008 and on) 400-hour filter kit</b>		
108-3841	Engine oil filter	3
54-0110	Hydraulic oil filter	2
108-3811	Air filter	2
110-9049	Fuel/Water separator	1
<b>30090** Reelmaster 3550D/3555D/3575D 400-hour filter kit</b>		
108-3841	Engine oil filter	3
86-3010	Transmission oil filter	3
108-3811	Air filter	2
110-9049	Filter-Spin on	1
110-9049	Fuel/Water separator	1
<b>30012** Reelmaster 4000D (2002–2007) 400-hour filter kit</b>		
104-5169	Engine oil filter	3
86-6110	Hydraulic oil filter	1
108-3828	Fuel filter-In-line	1
98-9764	Fuel/Water separator	1
108-3812	Air filter-Outer	1
108-3813	Air filter-Inner	1
<b>30061** Reelmaster 4000D (2008 and on) 400-hour filter kit</b>		
104-5169	Engine oil filter	3
86-6110	Hydraulic oil filter	1
98-9764	Fuel/Water separator	1
108-3812	Air filter-Outer	1
108-3813	Air filter-Inner	1
<b>30015** Reelmaster 5200D/5400D 400-hour filter kit</b>		
108-3841	Engine oil filter	3
110-4146	Transmission oil filter	1
108-3828	Fuel filter-In-line	1
108-3810	Air filter	1
98-9764	Fuel/Water separator	1
<b>30039** Reelmaster 5210/5410/5510 (2006–2007) 400-hour filter kit</b>		
108-3841	Engine oil filter	4
108-3828	Fuel filter-In-line	1
108-3810	Air filter	1
98-9764	Fuel/Water separator	1

Part number	Description	Quantity
<b>30054** Reelmaster 5210/5410/5510 Pre Tier 4 (2008 and on) 400-hour filter kit</b>		
108-3841	Engine oil filter	3
108-3810	Air filter	1
110-9049	Fuel/Water separator	1
94-2621	Hydraulic oil filter	1
86-3010	Hydraulic oil filter	1
<b>30247** Reelmaster 5010-H 800-hour filter kit</b>		
108-3841	Engine oil filter	6
110-9049	Fuel/Water separator	2
86-3010	Hydraulic oil filter	1
108-3810	Air filter	1
<b>44959** Reelmaster 5010-H (non-Tier 4) MVP 1,000 filter kit (units with PX hydraulic fluid) (2019 and on)</b>		
108-3810	Air filter	2
108-3841	Engine oil	7
94-2621	Filter element	1
86-3010	Transmission oil filter	1
110-9049	Fuel filter	2
<b>44966** Reelmaster 5010-H (Tier 4) MVP 1,000-hour filter kit (units with PX hydraulic fluid) (2019 and on)</b>		
108-3841	Air filter	7
110-9049	Fuel filter-Spin on	2
86-3010	Transmission oil filter	1
108-3810	Fuel filter	2
<b>30091** Reelmaster 5410G/5510G 800-hour MVP filter kit</b>		
108-3810	Air filter	1
108-3841	Oil filter	4
94-2621	Filter element	1
86-3010	Transmission oil filter	1
<b>30093** Reelmaster 5410D/5510D Tier 4 Final 800-hour MVP filter kit</b>		
108-3810	Air filter	1
125-7025	Oil filter	3
94-2621	Filter element	1
86-3010	Transmission oil filter	1
125-2915	Filter-Spin on	2
125-8752	Fuel filter	2
<b>44964** Reelmaster 5410/5510 Groundsmaster 4300 MVP 1,000-hour filter kit (Tier 4) (units with PX hydraulic fluid) (2019 and on)</b>		
108-3810	Air filter	2
125-7025	Engine oil filter	7
94-2621	Filter element	1
86-3010	Transmission oil filter	1
125-2915	Fuel filter Ws	2
125-8752	Filter fuel/oil	2

Part number	Description	Quantity
<b>30038** Reelmaster 5500D 400-hour filter kit</b>		
108-3841	Engine oil filter	5
110-4146	Transmission oil filter	1
94-2621	Hydraulic oil filter	1
108-3810	Air filter	1
98-9764	Fuel/Water separator	1
108-3828	Fuel filter-In-line	1
<b>30040** Reelmaster 5610 (2006–2007) 400-hour filter kit</b>		
108-3841	Engine oil filter	4
108-3828	Fuel filter-In-line	1
108-3812	Air filter	1
98-9764	Fuel/Water separator	1
<b>30055*** Reelmaster 5610 (2008–2012) 400-hour filter kit</b>		
108-3841	Engine oil filter	3
108-3812	Air filter	1
110-9049	Fuel/Water separator	1
94-2621	Hydraulic oil filter	1
86-3010	Hydraulic oil filter	1
<b>44960** Reelmaster 5610 (non-Tier 4) MVP 1,000-hour filter kit (units with PX hydraulic fluid) (2019 and on)</b>		
108-3812	Air filter	2
108-3841	Engine oil filter	7
94-2621	Filter element	1
86-3010	Filter oil transmission	1
110-9049	Fuel filter-Spin on	2
<b>30014** Reelmaster 6500D/6700D (2003–2007) 400-hour filter kit</b>		
108-3841	Engine oil filter	3
108-3828	Fuel filter-In-line	1
98-9764	Fuel/Water separator	1
108-3812	Air filter-Outer	1
108-3813	Air filter-Inner	1
94-2621	Hydraulic oil filter	1
<b>30057** Reelmaster 6500D/6700D (2008 and on) 400-hour filter kit</b>		
108-3841	Engine oil filter	3
110-9049	Fuel/Water separator	1
108-3812	Air filter-Outer	1
108-3813	Air filter-Inner	1
94-2621	Hydraulic oil filter	1
<b>30056** Reelmaster 7000D (2008 and on) 400-hour filter kit</b>		
104-5169	Engine oil filter	3
75-1310	Hydraulic oil filter-Pump	1
94-2621	Hydraulic oil filter-Manifold	1
110-9049	Fuel/Water separator	1
108-3814	Air filter-Outer	1
108-3816	Air filter-Inner	1

Part number	Description	Quantity
<b>30030** Groundsmaster 223D 400-hour filter kit</b>		
108-3841	Engine oil filter	5
23-2300	Transmission oil filter	2
43-2550	Filter - Elec. fuel pump	1
63-8300	Fuel/Water separator	1
108-3833	Air filter	2
<b>30002** Groundsmaster 225 400-hour filter kit</b>		
108-3842	Engine oil filter	5
23-2300	Transmission oil filter	3
108-3833	Air filter	1
95-2926	Fuel filter	1
<b>30001** Groundsmaster 228D 400-hour filter kit</b>		
108-3841	Engine oil filter	5
23-2300	Transmission oil filter	3
98-9764	Fuel/Water separator	1
108-3828	Fuel filter-In-line	1
108-3810	Air filter	1
<b>30023** Groundsmaster 325D 400-hour filter kit</b>		
108-3841	Engine oil filter	5
23-9740	Transmission oil filter	3
43-2550	Filter - Elec. fuel pump	1
63-8300	Fuel/Water separator	1
108-3833	Air filter	1
<b>30022** Groundsmaster 328D (2001–2007) 400-hour filter kit</b>		
108-3841	Engine oil filter	3
23-9740	Transmission oil filter	3
108-3828	Fuel filter-In-line	1
98-9764	Fuel/Water separator	1
108-3810	Air filter	1
<b>30059** Groundsmaster 328D (2008 and on) 400-hour filter kit</b>		
108-3841	Engine oil filter	3
23-9740	Transmission oil filter	3
112-7836	Fuel filter-In-line	1
110-9049	Fuel/Water separator	1
108-3810	Air filter	2
<b>30021** Groundsmaster 345 400-hour filter kit</b>		
108-3817	Engine oil filter	5
23-9740	Transmission oil filter	3
108-3831	Fuel filter	1
108-3833	Air filter	1

**QUICK REFERENCE GUIDE**  
MVP KITS

**QUICK REFERENCE GUIDE**  
MVP KITS

Part number	Description	Quantity
<b>Filter kits continued</b>		
<b>30261** Groundsmaster 360/7210 Tier 4 Final - Yanmar (2015 and on) 400-hour filter kit</b>		
108-3810	Air filter	1
125-7025	Filter	1
108-5194	Hydraulic oil filter	1
125-2915	Filter-Spin on	1
125-8752	Filter-Fuel	1
<b>30028** Groundsmaster 455D 400-hour filter kit</b>		
108-3837	Engine oil filter	5
86-3010	Hydraulic oil filter	1
76-5220	Fuel filter	1
108-3812	Air filter-Outer	1
108-3813	Air filter-Inner	1
<b>30024** Groundsmaster 580D (1989-2003) 400-hour filter kit</b>		
110-6166	Engine oil filter	5
69-1720	Hydraulic oil filter	2
69-1770	Fuel/Water separator	2
108-3815	Air filter	1
<b>30063** Groundsmaster 580D (2004-2008) 400-hour filter kit</b>		
110-6166	Engine oil filter	3
69-1720	Hydraulic oil filter	2
60-5470	Fuel/Water separator	1
108-3815	Air filter	2
<b>30010** Groundsmaster 3000D 400-hour filter kit</b>		
108-3837	Engine oil filter	5
94-3951	Hydraulic oil filter	2
76-5220	Fuel filter	1
108-3812	Air filter	1
<b>30034** Groundsmaster 3280D (2005-2007) 400-hour filter kit</b>		
108-3841	Engine oil filter	4
23-2300	Transmission oil filter	4
98-9764	Fuel/Water separator	1
108-3828	Fuel filter-In-line	1
108-3810	Air filter	1
<b>30051** Groundsmaster 3280D (2008-2015) 400-hour filter kit</b>		
108-3841	Engine oil filter	3
23-2300	Transmission oil filter	2
110-9049	Fuel/Water separator	1
108-3810	Air filter	1
<b>30262** Groundsmaster 3280D (2016 and on) 400-hour filter kit</b>		
108-3841	Engine oil filter	3
54-0110	Transmission oil filter	2
110-9049	Fuel/Water separator	1
108-3810	Air filter	1

Part number	Description	Quantity
<b>30027** Groundsmaster 3500D/3505D (2002-2007) 400-hour filter kit</b>		
108-3841	Engine oil filter	3
86-3010	Hydraulic oil filter	3
108-3828	Fuel filter-In-line	1
98-9764	Fuel/Water separator	1
108-3810	Air filter	2
<b>30058** Groundsmaster 3500D/3505D Turbo (2008-2012) 400-hour filter kit</b>		
108-3841	Engine oil filter	3
86-3010	Hydraulic oil filter	3
110-9049	Fuel/Water separator	1
108-3810	Air filter	2
<b>30090** Groundsmaster 3500D (Model 30807/30849) 400-hour filter kit</b>		
108-3841	Engine oil filter	3
86-3010	Transmission oil filter	3
108-3811	Air filter	2
110-9049	Filter-Spin on	1
110-9049	Fuel/Water separator	1
<b>44962** Groundsmaster 35XX (non-Tier 4) MVP 1,000-hour filter MVP kit (units with PX hydraulic fluid) (2019 and on)</b>		
108-3810	Air filter	5
108-3841	Engine oil filter	7
86-3010	Transmission oil filter	1
110-9049	Fuel filter	2
<b>30246** Groundsmaster 3500G (Model 30809) 400-hour filter MVP kit</b>		
108-3811	Air filter	2
115-8189	Engine oil filter	3
86-3010	Hydraulic oil filter	3
121-3625	Fuel pump filter	1
<b>30029** Groundsmaster 4000D/4100D/4500D/4700D (2002-2008) 400-hour filter kit</b>		
104-5169	Engine oil filter	3
75-1310	Hydraulic oil filter-Pump	1
94-2621	Hydraulic oil filter-Manifold	1
98-9764	Fuel/Water separator	1
108-3828	Fuel filter-In-line	1
108-3814	Air filter-Outer	1
108-3816	Air filter-Inner	1
<b>30056** Groundsmaster 4000D/4100D/4500D/4700D (2008 &amp; 2012) 400-hour filter kit</b>		
104-5169	Engine oil filter	3
75-1310	Hydraulic oil filter-Pump	1
94-2621	Hydraulic oil filter-Manifold	1
110-9049	Fuel/Water separator	1
108-3814	Air filter-Outer	1
108-3816	Air filter-Inner	1

Part number	Description	Quantity
<b>30089** Groundsmaster 4000D/4100D/4500D/4700D Tier 4i 800-hour filter MVP kit Yanmar engine</b>		
125-7025	Oil filter	3
75-1310	Hydraulic oil filter	1
94-2621	Hydraulic oil filter	1
115-9793	Breather	1
108-3814	Air filter	1
108-3816	Air filter	1
110-9049	Filter-Spin on	2
110-4812	Fuel filter	1
<b>30408** Groundsmaster 4000D/4100D/4500D/4700 Tier 4 Final (2013 and on) 800-hour filter MVP kit</b>		
125-7025	Oil filter	3
75-1310	Hydraulic oil filter	1
94-2621	Hydraulic oil filter	1
115-9793	Breather	1
108-3814	Air filter	1
108-3816	Air filter	1
125-2915	Filter-Spin on	2
125-8752	Fuel filter	2
110-4812	Axle vent ASM	1
110-4815	Insert filter ASM	1
<b>44967** Groundsmaster 4000/4100 MVP 1,000-hour filter kit (units with PX hydraulic fluid) (2019 and on)</b>		
125-7025	Engine oil filter	2
75-1310	Hydraulic filter	1
94-2621	Element	1
115-9793	Breather	1
125-2915	Fuel filter water separator	2
125-8752	Fuel filter	2
108-3814	Air filter	2
108-3816	Air filter	2
<b>30055** Groundsmaster 4300 400-hour filter kit (2008-2012)</b>		
108-3841	Engine oil filter	3
108-3812	Air filter	1
110-9049	Fuel/Water separator	1
94-2621	Hydraulic oil filter	1
86-3010	Hydraulic oil filter	1
<b>30093** Groundsmaster 4300D 800-hour MVP filter kit (2012 and on)</b>		
108-3810	Air filter	1
125-7025	Oil filter	3
94-2621	Filter element	1
86-3010	Transmission oil filter	1
125-2915	Filter-Spin on	2
125-8752	Fuel filter	2

**QUICK REFERENCE GUIDE**  
MVP KITS

Part number	Description	Quantity
<b>44964** Groundsmaster 4300 MVP 1,000-hour filter kit (Tier 4) (units with PX hydraulic fluid) (2019 and on)</b>		
108-3810	Air filter	2
125-7025	Engine oil filter	7
94-2621	Filter element	1
86-3010	Transmission oil filter	1
125-2915	Fuel filter Ws	2
125-8752	Fuel filter/Oil	2
<b>30041** Groundsmaster 5900/5910 400-hour filter kit</b>		
130-8860	Engine oil filter	2
86-6110	Hydraulic oil filter-Main	1
75-1310	Hydraulic oil filter-PTO	1
115-5471	Fuel/Water separator	1
117-2792	Fuel filter-AT engine	1
<b>31609** Groundsmaster 5900 Tier 4 Final 400-hour filter kit</b>		
125-7025	Oil filter	2
75-1310	Hydraulic oil filter-PTO	1
86-6110	Hydraulic oil filter-Main	1
125-2915	Filter-Spin on	1
125-8752	Fuel filter	1
<b>44958** Groundsmaster 5900/5910 MVP 1,000 filter kit (units with PX hydraulic fluid) (2019 and on)</b>		
125-7025	Oil filter	2
75-1310	Hydraulic filter	1
86-6110	Hydraulic filter	1
125-2915	Fuel filter water separator	2
125-8752	Fuel filter	2
108-3815	Air filter	2
130-9070	Safety element	2
<b>30037** Groundsmaster 7200/7210 (2007) 400-hour filter kit</b>		
108-3841	Engine oil filter	3
108-5194	Transmission oil filter	2
98-9764	Fuel/Water separator	1
108-3810	Air filter	1
108-3828	Fuel filter-In-line	1
<b>30052** Groundsmaster 7200/7210 (2008-2014) 400-hour filter kit</b>		
108-3841	Engine oil filter	3
108-5194	Transmission oil filter	1
110-9049	Fuel/Water separator	1
108-3810	Air filter	1
<b>30008** Hydroject 3000 Aerator 4400-hour maintenance kit</b>		
108-3817	Engine oil filter	5
67-8110	Transmission oil filter	3
71-5960	Fuel filter	2
82-0660	Air filter element	2
57-9340	Spark plug	2



**QUICK REFERENCE GUIDE**  
MVP KITS

Part number	Description	Quantity
<b>Filter kits continued</b>		
<b>30005** Workman 1100/1110/MD 400-hour filter kit</b>		
108-3811	Air filter	2
<b>30004** Workman 2100/2110/MDX 400-hour filter kit</b>		
107-7817	Engine oil filter	4
108-3811	Air filter	2
<b>30017** Workman 3200/4200 (2002 and on) 400-hour maintenance kit</b>		
108-3842	Engine oil filter	5
108-3811	Air filter	2
105-8045	Fuel filter	1
108-6945	Spark plug	3
<b>30006** Workman 3300D/4300D (2002 on) 400-hour filter kit</b>		
108-3842	Engine oil filter	5
108-3811	Air filter	1
54-0110	Transmission oil filter	1
63-8300	Fuel/Water separator	1
<b>30035** Sand/Infield Pro 3040/5040 400-hour filter kit</b>		
107-7817	Engine oil filter	9
54-0110	Hydraulic oil filter	2
108-3811	Air filter	2
<b>44957** Sand/Infield Pro 3040/5040 MVP 1,000-hour filter kit (units with PX hydraulic fluid) (2019 and on)</b>		
107-7817	Engine oil filter	10
108-3811	Air filter	5
94-2690	Fuel filter	2
115-7854	Fuel filter-In-line	2
54-0110	Hydraulic trans filter	1
<b>08725 SandPro 2040Z 400-hour filter kit</b>		
114-3494	Filter element	2
127-0381	Inner filter kit	4
119-5852	Oil filter	5
108-3811	Air filter	2
115-7854	Fuel filter-In-line	2
92-2153	Spark plug	2
<b>131-3751 Multi Pro 1750/5800 400-hour maintenance kit (2015 and on)</b>		
120-0796	Pump kit	1
100-8642	Suction screen	1
131-0209	Pressure screen	1
130-7304	Valve kit	6

Part number	Description	Quantity
<b>30073** Workman HDX series (2012 and on) 400-hour maintenance kit</b>		
108-3811	Air filter	2
108-3842	Oil filter	3
115-7854	Fuel filter-In-line (5/16)	2
54-0110	Transmission oil filter	1
115-7818	Fuel filter ASM	1
<b>30068** Workman HDX-D series (2012 and Older) 400-hour maintenance kit</b>		
108-3811	Air filter	2
108-3842	Oil filter	3
110-9049	Fuel/Water separator	1
54-0110	Transmission oil filter	1
<b>30248** Workman HDX series (2013 and on) 400-hour maintenance kit</b>		
108-3810	Air filter	2
115-8189	Filter-Oil, engine	3
115-7818	Fuel filter ASM	1
54-0110	Filter-Oil, transmission	1
125-9139	Spark plug	3
110-3796	V-belt	1
<b>30249** Workman HDX-D series (2013 and on) 400-hour maintenance kit</b>		
108-3810	Air filter	2
115-8189	Filter-Oil, engine	3
110-9049	Filter-Spin on	1
54-0110	Filter-Oil, transmission	1
110-3796	V-belt	1
<b>131-8276 Workman HDX-Auto (2014 and on) 400-hour maintenance kit</b>		
108-3811	Air filter	4
108-3847	Oil filter	3
115-7818	Fuel filter ASM	1
54-0110	Filter-Oil, transmission	1
136-1100	Spark plug	2
<b>136-6280 Workman GTX 400-hour maintenance kit</b>		
108-3811	Air filter	4
56-6360	Fuel filter	1
130-8380	Spark plug	1
131-8588	Filter-Fuel (75 micron GR)	
140-2443	Filter-Fuel	

Part number	Description	Quantity
<b>Touch-up paint</b>		
361-1	TORO Red (prior to 1990) 354.8 ml spray can touch-up paint	A/R
361-10	TORO Red (1990 and on) 354.8 ml spray can touch-up paint	A/R
112-0178	TORO Red (1990 and on) 17 g brush-in-cap touch-up paint	A/R
112-0177	TORO Red (1990 and on) 8.5 g paint marker touch-up paint	A/R
112-0176	TORO Black 17 g brush-in-cap touch-up paint	A/R

**QUICK REFERENCE GUIDE**  
MVP KITS

**QUICK REFERENCE GUIDE**  
**FILTERS**

Equipment	Description	Part No
<b>Greensmaster® walkers</b>		
<b>Greensmaster 500</b>	Maintenance kit (2004–2011)	30065 **
<b>800</b>	Maintenance kit (2012 and on)	30097 **
<b>1000</b>	Air filter element-Main	93-8636
<b>1600</b>	Air filter element-Wrapper	93-8637
<b>2600</b>	Gas fuel filter screen (GR 1000 1995-Mid 1996 and on only)	93-8684
	Gas fuel filter screen	94-6826
<b>Greensmaster Flex 18/21</b>	Maintenance kit (2004–2011)	30065 **
	Maintenance kit (2012 and on)	30097 **
	Air filter element-Main	93-8636
	Air filter element-Wrapper	93-8637
	Gas fuel filter screen	94-6826
	Gas fuel filter screen	94-6826
<b>Greensmaster® riders</b>		
<b>Greensmaster 300</b>	Engine oil filter breather element	235118
	Air filter element	235116
	Fuel filter-In-line	108-3831
	Hydraulic oil filter element	74-3570
	Air filter element	92-0530
<b>Greensmaster 3000</b>	Engine oil filter breather element	235118
	Air filter element-Main	4508302
	Air filter element-Wrapper	4508301
	Fuel filter-In-line	108-3831
	Hydraulic oil filter element	74-3570
	Air filter element	92-0530
	Engine oil filter	108-3841
<b>Greensmaster 3000D</b>	Engine oil filter	108-3841
	Air filter element	108-3833
	Fuel filter diesel-Electric pump	43-2550
	Fuel filter element-Diesel	63-8300
	Hydraulic oil filter	74-3570
<b>Greensmaster 3050 3100</b>	Engine oil filter	107-7817
	Air filter element-Main	92-0527
	Fuel filter-In-line	94-2690
	Hydraulic oil filter	74-3570
<b>Greensmaster 3150</b>	400-hour filter kit (up to 2011)	30064 **
	800-hour filter kit (2013 and on)	131-6262
	1,000-hour MVP kit (2019 and on)	44955 **
	Engine oil filter	107-7817
	Air filter element-Main	92-0527
	Fuel filter-In-line	94-2690
	Hydraulic oil filter	107-9531

Equipment	Description	Part No
<b>Greensmaster 3200D</b>	Engine oil filter	85-4930
	Air filter element	108-3811
	Diesel fuel filter	130336040
	Hydraulic oil filter element	75-1310
	Air filter element	92-0530
<b>Greensmaster 3250D</b>	400-hour filter kit (2003–2006)	30018 **
	400-hour filter kit (2007–2011)	30062 **
	500 Hour Filter Kit (2012 and on)	30086 **
	1,000-hour MVP kit (2019 and on)	44968 **
	Engine oil filter (2007–2011)	108-3842
	Engine oil filter (2012 and on Kubota)	115-8189
	Air filter element	108-3811
	Air filter safety	98-2982
	Diesel fuel filter element (2000–2006)	100-3192
	Bio-diesel fuel filter element (2007–2011)	112-9188
	Filter-Spin on	110-9049
	Hydraulic oil filter element (2000–2002)	75-1310
	Hydraulic oil filter element (2003 and on)	107-9531
<b>Greensmaster 3300 3320</b>	400-hour filter kit	30042 **
	1,000-hour MVP kit (2019 and on)	44969 **
	Fuel filter-In-line	115-7854
	Fuel filter	94-2690
	Hydraulic oil filter	108-5194
<b>Greensmaster 3360 (e-TriFlex)</b>	400-hour MVP kit (2019 and on)	44971 **
	Filter - Fuel in-line	115-7854
	Air filter element	120-7448
<b>Greensmaster 3400 3420</b>	400-hour filter kit	30043 **
	1,000-hour MVP kit (2019 and on)	44970 **
	Engine oil filter	115-8189
	Air filter	108-3811
	Diesel fuel filter (2008 and on)	110-9049
	Hydraulic oil filter element	108-5194
<b>Reelmaster®</b>		
<b>Reelmaster 216</b>	Engine oil filter breather element	235118
	Air filter element-Main	4508302
	Air filter element-Wrapper	4508301
	Gas in-line fuel filter	108-3854
	Hydraulic oil filter	54-0110
<b>Reelmaster 216D</b>	Engine oil filter	85-4930
	Air filter element	108-3808
	Diesel fuel filter element	130336040
	Hydraulic oil filter	54-0110

Equipment	Description	Part No
<b>Grounds Pro 2000</b>	Engine oil filter	107-7817
	Air filter element-Main	92-0527
	Air filter element-Wrapper	2724905
	Fuel filter-In-line	108-3854
	Hydraulic oil filter element	54-0110
<b>Grounds Pro 2000D</b>	Engine oil filter	108-3842
	Air filter element	108-3811
	Diesel fuel filter element separator	63-8300
	Hydraulic oil filter	54-0110
<b>Reelmaster 2000D</b>	Engine oil filter	108-3842
	Air filter element (2005 and on)	108-3811
	Diesel fuel filter element separator	63-8300
	Hydraulic oil filter element	54-0110
<b>Reelmaster 2300D 2600D</b>	Engine oil filter	85-4930
	Air filter element	108-3811
	Diesel fuel filter element	130336040
	Hydraulic oil filter element	54-0110
<b>Reelmaster 3100</b>	400-hour filter kit (1999–2007)	30016 **
	400-hour filter kit (2008 and on)	44963 **
	Engine oil filter	108-3841
	Engine oil filter breather element	98-9493
	Air filter element (2005 and on)	108-3811
	In-line plastic diesel fuel filter (1999–07 and 2010)	98-7612
	In-line metal diesel fuel filter (1999–2007)	108-3828
	Diesel fuel filter element (1999–2007)	98-9764
	Diesel fuel filter element (2008 and on)	110-9049
	In-line bio-diesel kit	112-7836
	Bio-diesel kit element	110-9015
	Hydraulic oil filter element	54-0110
	Filter head	92-5821
<b>Reelmaster 3550D</b>	400-hour filter kit	30090 **
	1,000-hour MVP kit (2019 and on) Tier 4	44963 **
	Air filter	108-3811
	Engine oil filter	108-3841
	Transmission oil filter	86-3010
	Filter-Spin on	110-9049
	Filter head	92-5821
<b>Reelmaster 223D 5100D</b>	Engine oil filter	108-3841
	Air filter element	108-3833
	Air filter pre-cleaner assembly	48-7430
	Diesel fuel filter element separator	63-8300
	Diesel Electric Fuel Pump filter (EFP)	43-2550
	Hydraulic oil filter element-Reservoir	75-1310
	Hydraulic oil filter element-Trans	110-4146
	Hydraulic oil filter element-Front axle	75-6340

Equipment	Description	Part No
<b>Reelmaster 5210 5410 5510</b>	400-hour filter kit (2006–2007)	30039 **
	400-hour filter kit (2008 and on) non-Tier 4	30054 **
	1,000-hour MVP kit (2019 and on) non-Tier 4	44959 **
	1,000-hour MVP kit (2019 and on) Tier 4	44964 **
	Engine oil filter	108-3841
	Air filter element	108-3810
	In-line plastic diesel fuel filter (2006–2007)	98-7612
	In-line metal diesel fuel filter(2006–2007)	108-3828
	Diesel fuel filter element (2006–2007)	98-9764
	Diesel fuel filter element (2008 and on)	110-9049
	In-line bio-diesel kit	112-7836
	Bio-diesel kit element	110-9015
	Filter head	92-5821
<b>Reelmaster 5410G 5510G</b>	800-hour filter kit	30091 **
	Air filter	108-3810
	Oil Filter	108-3841
	Filter element	94-2621
	Transmission oil filter	86-3010
<b>Reelmaster 5410D 5510D</b>	800-hour filter kit Tier4 Final	30093 **
	Air filter	108-3810
	Engine filter	125-7025
	Filter element	94-2621
	Transmission oil filter	86-3010
	Filter-Spin on	125-2915
	Fuel filter	125-8752
<b>Reelmaster 5010-H</b>	800-hour filter kit	30247 **
	1,000-hour MVP kit (2019 and on)	44966 **
	Engine oil filter	108-3841
	Fuel/Water separator	110-9049
	Hydraulic oil filter	86-3010
	Air filter	108-3810



**QUICK REFERENCE GUIDE**  
**FILTERS**

Equipment	Description	Part No
<b>Reelmaster®</b>		
<b>Reelmaster 5200D 5400D</b>	400-hour filter kit	30015 **
	Engine oil filter	108-3841
	Engine oil filter breather element	98-9493
	Air filter element (2005 and on)	108-3810
	Air filter pre-cleaner assembly	48-7430
	In-line plastic diesel fuel filter (1998)	98-7612
	In-Line Metal Diesel Fuel Filter (1998)	108-3828
		99-8351
		99-8358
	In-line plastic diesel fuel filter (2002 and on)	98-7612
	In-line metal diesel fuel filter (2002 and on)	108-3828
	Diesel fuel filter element separator	98-9764
	In-line bio-diesel kit	112-7836
	Bio-diesel fuel filter element	110-9015
	Hydraulic oil filter element-Reservoir	75-1310
	Hydraulic oil filter element-Trans	110-4146
	Hydraulic oil filter element-Front axle	75-6340
<b>Reelmaster 5300D</b>	Engine oil filter	112-8409
	Air filter element	108-3833
	Air filter pre-cleaner assembly	48-7430
	Diesel fuel filter element separator	63-8300
	Diesel electric fuel pump	43-2550
	Hydraulic oil filter element-Reservoir	75-1310
	Hydraulic oil filter element-Trans	110-4146
	Hydraulic oil filter element-Front axle	75-6340
<b>Reelmaster 5500D</b>	400-hour filter kit	30038 **
	Engine oil filter	108-3841
	Engine oil breather element	98-9493
	Air filter element (2005 and on)	108-3810
	Air filter pre-cleaner assembly	48-7430
	In-line diesel fuel filter (2000-2001)	99-8351
	In-line plastic diesel fuel filter (2002 and on)	98-7612
	In-line metal diesel fuel filter (2002 and on)	108-3828
	Diesel fuel filter element separator	98-9764
	In-line bio-diesel kit	112-7836
	Bio-diesel fuel filter element	110-9015
	Hydraulic oil filter element-Reservoir	94-2621
	Hydraulic oil filter element-Trans	110-4146
	Hydraulic oil filter element-Front Axle	75-6340

Equipment	Description	Part No
<b>Reelmaster 5610</b>	400-hour filter kit (2006–2007)	30040 **
	400-hour filter kit (2008–2012)	30055 **
	1,000-hour MVP kit (2019 and on) non-Tier 4	44960 **
	Engine oil filter	108-3841
	Air filter element	108-3812
	In-line plastic diesel fuel filter (2006–2007)	98-7612
	In-line metal diesel fuel filter (2006–2007)	108-3828
	Diesel Fuel Filter Element (2006–2007)	98-9764
	Diesel fuel filter element (2008 and on)	110-9049
	In-line bio-diesel kit	112-7836
	Bio-diesel fuel filter element	110-9015
	Hydraulic oil filter element-Steering	86-3010
<b>Reelmaster 6500D 6700D</b>	400-hour filter kit (2003–2007)	30014 **
	400-hour filter kit (2008 and on)	30057 **
	Engine oil filter (1995–2001)	108-3837 **
	Engine oil filter (2001 and on)	108-3841
	Engine oil breather element (2001 and on)	98-9493
	Air filter-Outer	108-3812
	Air filter-Inner	108-3813
	Diesel Fuel Filter Element (1995–2001)	76-5220
	Diesel Fuel Filter Assembly (2001–2002)	99-8351
	Diesel Fuel Filter Element (2001–2002)	99-8358
	In-line plastic diesel fuel filter (2003-2007)	98-7612
	In-line metal diesel fuel filter (2003–2007)	108-3828
	Diesel Fuel Filter Element (2003–2007)	98-9764
	Diesel fuel filter element (2008 and on)	110-9049
	In-line bio-diesel kit	112-7836
	Bio-diesel kit element	110-9015
	Hydraulic oil filter element	94-2621
<b>Reelmaster 335D 3500D</b>	Engine oil filter	108-3837
	Air filter element	108-3833
	Diesel fuel filter element	76-5220
	Hydraulic oil filter element	86-3010
<b>Reelmaster 450D 4500D</b>	Engine oil filter	108-3835
	Air filter element	108-3833
	Air filter pre-cleaner assembly	48-7430
	Diesel fuel filter element	60-5470
	Hydraulic oil filter element (1986–1992)	69-1720
	Hydraulic oil filter element (1993 and on)	86-6110

Equipment	Description	Part No
<b>Reelmaster 4000D</b>	400-hour filter kit (2002–2007)	30012 **
	400-hour filter kit (2008 and on)	30061 **
	Engine oil filter	104-5169
	Engine oil breather element	98-7419
	Air filter-Outer	108-3812
	Air filter - Inner	108-3813
	In-line plastic diesel fuel filter (1998–2001)	98-7612
	In-line metal diesel fuel filter (1998–2001)	108-3828
	In-line diesel fuel filter assembly (2002–2003)	99-8351
	In-line diesel fuel filter element (2002-2003)	99-8358
	In-line plastic diesel fuel filter (2004–2007)	98-7612
	In-line metal diesel fuel filter (2004–2007)	108-3828
	Diesel Fuel Filter Element Separator (1998–2001)	76-5220
	Diesel fuel filter element separator (2002 & on)	98-9764
	In-line bio-diesel kit	112-7836
	Bio-diesel kit element	110-9015
	Hydraulic oil filter element	86-6110
<b>Reelmaster 7000D</b>	Engine oil filter	104-5169
	Air filter-Outer	108-3814
	Air filter - Inner	108-3816
	Gas fuel filter element (2008 and on)	110-9049
	Hydraulic oil filter-AT pump	75-1310
	Hydraulic oil filter-AT manifold	94-2621
	Oil filter	93-2242
<b>Groundsmaster®</b>		
<b>Groundsmaster 53</b>	Air filter element	108-3808
	In-line gas fuel filter	108-3831
	Hydraulic oil filter element-Trans	23-2300
<b>Groundsmaster 62</b>	Engine oil filter	108-3817
	Air filter element	108-3833
	In-line gas fuel filter	108-3831
	Hydraulic oil filter element-Trans	23-2300
<b>Groundsmaster 217D</b>	Engine oil filter	42-9030
	Air filter element	108-3833
	In-line diesel fuel filter	43-1820
	Diesel electric fuel pump filter (EFP)	43-2550
	Hydraulic oil filter element-Trans	23-2300
<b>Groundsmaster 220</b>	Engine oil filter	108-3817
	Engine oil filter breather element	57-8580
	Air filter element	108-3833
	In-line gas fuel filter	71-5960
	Hydraulic oil filter element-Trans	23-2300

Equipment	Description	Part No
<b>Groundsmaster 220D 223D</b>	400-hour filter kit	30030 **
	Engine oil filter	108-3841
	Air filter element	108-3833
	Diesel fuel filter element separator	63-8300
	Diesel electric fuel pump filter (EFP)	43-2550
	Hydraulic oil filter element-Trans	23-2300
<b>Groundsmaster 224</b>	Engine oil filter	108-3841
	Air filter element	108-3833
	In-line gas fuel filter	108-3831
	Gas electric fuel pump filter	43-2550
	Hydraulic oil filter element-Trans	23-2300
	Hydraulic oil filter element-Trans	23-2300
<b>Groundsmaster 225</b>	400-hour filter kit	30002 **
	Engine oil filter	108-3842
	Air filter element	108-3833
	In-line gas fuel filter	108-3854
	Hydraulic oil filter element-Trans	23-2300
	Hydraulic oil filter element-Trans	23-2300
<b>Groundsmaster 228D</b>	400-hour filter kit	30001 **
	Engine oil filter	108-3841
	Engine oil filter breather element	98-9493
	Air filter element	108-3810
	In-line plastic diesel fuel filter	98-7612
	In-line metal diesel fuel filter	108-3828
	Diesel fuel filter element separator	98-9764
	In-line bio-diesel fuel filter kit	112-7836
	Bio-diesel fuel filter element	110-9015
	Diesel electric fuel pump filter (EFP)	43-2550
	Hydraulic oil filter element-Trans	23-2300
<b>Groundsmaster 322D</b>	Engine oil filter	42-9030
	Air filter element	108-3833
	In-line diesel fuel filter	43-1820
	Diesel fuel filter element separator (1989–1990)	63-8300
	Diesel electric fuel pump filter (EFP)	43-2550
	Hydraulic oil filter element-Trans	23-2300
<b>Groundsmaster 325D</b>	400-hour filter kit	30023 **
	Engine oil filter 2WD	42-9030
	Engine oil filter 4WD (1991–1994)	42-9030
	Engine oil filter 4WD (1995 and on)	108-3841
	Air filter element	108-3833
	In-line diesel fuel filter	43-1820
	Diesel fuel filter element separator	63-8300
	Diesel electric fuel pump filter (EFP)	43-2550
	Hydraulic oil filter element	23-9740

**QUICK REFERENCE GUIDE**  
**FILTERS**

**QUICK REFERENCE GUIDE**  
**FILTERS**

Equipment	Description	Part No
<b>Groundsmaster® continued</b>		
<b>Groundsmaster 327</b>	Engine oil filter Contact local Toro distributor	
	Air filter element	108-3833
	In-line gas fuel filter	108-3831
	Hydraulic oil filter element-Trans	23-2300
<b>Groundsmaster 328D</b>	400-hour filter kit (2001–2007)	30022 **
	400-hour filter kit (2008 and on)	30059 **
	Engine oil filter	108-3841
	Engine oil filter breather element	98-9493
	Air filter element	108-3810
	In-line plastic diesel fuel filter (2001–2007)	98-7612
	In-line metal diesel fuel filter (2001–2007)	108-3828
	Diesel fuel filter element (2001–2007)	98-9764
	Diesel fuel filter element (2008 and on)	110-9049
	Diesel electric fuel pump filter (EFP)	43-2550
	In-line bio-diesel fuel filter kit	112-7836
Bio-diesel fuel filter element	110-9015	
Hydraulic oil filter element	23-9740	
<b>Groundsmaster 345</b>	400-hour filter kit	30021 **
	Engine oil filter	108-3817
	Air filter element	108-3833
	Gas fuel filter AT tank	108-3831
	Gas fuel filter engine (1999 and on)	FG778B
Hydraulic oil filter	23-9740	
<b>Groundsmaster 360</b>	MVP filter kit	30261 **
	Engine oil filter	108-3841
	Air filter element	108-3810
	Diesel fuel filter element (2008 and on)	110-9049
	Hydraulic oil filter element-Trans	108-5194
Hydraulic oil filter	23-9740	
<b>Groundsmaster 455D</b>	400-hour filter kit	30028 **
	Engine oil filter	108-3837
	Air filter element (1992–95)	108-3833
	Air filter element Outer (1996 and on)	108-3812
	Air filter element - Inner (1996 and on)	108-3813
	Diesel fuel filter element	76-5220
	Hydraulic oil filter element	86-3010

Equipment	Description	Part No
<b>Groundsmaster 580D</b>	400-hour filter kit (1989–2003)	30024 **
	400-hour filter kit (2004 and on)	30063 **
	Engine oil filter (1989–1997)	108-3835
	Engine oil filter (1998 and on)	110-6166
	Air filter element (1989–1997)	108-3809
	Air filter element 2005 and on)	108-3815
	Diesel fuel filter element injection pump	108-3818
	Diesel Fuel Filter Feed Pump	70-4790
	Diesel fuel filter element (1989–2003)	117-9432
	Diesel fuel filter element (2004–2005)	60-5470
	In-line diesel fuel filter (2006 and on)	108-3831
	Bio-diesel fuel filter element kit	112-9188
	Hydraulic oil filter element	69-1720
<b>Groundsmaster 3000</b>	Engine oil filter	FL-400-A **
	Air filter element (1996)	108-3812
	Gas fuel filter	FG795A
	Hydraulic oil filter element	94-3951
	Hydraulic oil filter element-Trans	108-5194
Hydraulic oil filter	23-9740	
<b>Groundsmaster 3000D</b>	400-hour filter kit	30010 **
	Engine oil filter	108-3837
	Air filter element (1996)	108-3812
	Diesel fuel filter element	76-5220
	Hydraulic oil filter element	94-3951
<b>Groundsmaster 3280D</b>	400-hour filter kit (2005–2007)	30034 **
	400-hour filter kit (2008–2015)	30051 **
	400-hour filter kit (2016 and on)	30262 **
	Engine oil filter	108-3841
	Air filter element (2005 and on)	108-3810
	In-line plastic diesel fuel filter (2005–2007)	98-7612
	In-line metal diesel fuel filter (2005–2007)	108-3828
	Diesel fuel filter element (2005–2007)	98-9764
Diesel fuel filter element (2008 and on)	110-9049	
In-line bio-diesel fuel filter kit	112-7836	
Bio-diesel fuel filter element	110-9015	
Hydraulic oil filter element-Trans	23-2300	
<b>Groundsmaster 3320</b>	Engine oil filter	108-3842
	Air filter element (2005 and on)	108-3810
	In-line gas fuel filter	108-3854
	Hydraulic oil filter element-Trans	23-2300

Equipment	Description	Part No
<b>Groundsmaster 3500D 3505D</b>	400-hour filter kit (2002–2007)	30027 **
	400-hour filter kit (2008–2012)	30058 **
	400-hour filter kit (2013 and on)	30090 **
	1,000-hour MVP kit (2019 and on) non-Tier 4	44962 **
	1,000-hour MVP kit (2019 and on) Tier4	44963 **
	Engine oil filter	108-3841
	Engine oil filter breather element	98-9493
	Air filter element (2005 and on)	108-3810
	In-line plastic diesel fuel filter (2002–2007)	98-7612
	In-line metal diesel fuel filter (2002–2007)	108-3828
Diesel fuel filter element (2002–2007)	98-9764	
Diesel fuel filter element (2008–2012)	110-9049	
In-line bio-diesel fuel filter kit	112-7836	
Bio-diesel fuel filter element	110-9015	
Hydraulic oil filter element (2000–2001)	54-0110	
Hydraulic oil filter element(2002 & on)	86-3010	
<b>Groundsmaster 3500G</b>	1,000-hour MVP kit (2019 and on)	44965 **
<b>Groundsmaster 4000D 4100D</b>	400-hour filter kit (2001–2007)	30029 **
	400-hour filter kit (2008 and on)	30056 **
	800-hour filter kit (T4i)	30089 **
800-hour filter kit (T4F)	30408 **	
1,000-hour MVP kit (2019 and on)	44967 **	
Engine oil filter (2001 and on)	104-5169	
Engine oil filter breather element	98-7419	
Air filter element Inner (2004 and on)	108-3816	
Air filter element Outer (2004 and on)	108-3814	
In-line plastic diesel fuel filter (2001–2007)	98-7612	
In-line metal diesel fuel filter (2001–2007)	108-3828	
Diesel fuel filter element (2001–2007)	98-9764	
Diesel fuel filter element (2008 and on)	110-9049	
In-line bio-diesel fuel filter kit	112-7836	
Bio-diesel fuel filter element	110-9015	
Hydraulic oil filter element AT pump	75-1310	
Hydraulic oil filter element AT manifold	94-2621	
Oil filter	93-2242	
Filter - Fuel/Water separator	125-2915	
<b>Groundsmaster 4300D</b>	400-hour filter kit (2008–2012)	30055 **
	800-hour filter kit (2013 and on)	30093 **
	1,000-hour MVP kit (2019 and on) Tier 4	44964 **
	Engine oil filter	108-3841
	Air filter	108-3812
	In-line diesel fuel filter	110-9044
	Diesel fuel filter element (2008–2012)	110-9049
	Hydraulic oil filter reservoir element	94-2621
	Hydraulic oil filter element AT pump	86-3010

Equipment	Description	Part No
<b>Groundsmaster 4500D 4700D</b>	400-hour filter kit (2001–2007)	30029 **
	400-hour filter kit (2008 and on)	30056 **
	800-hour filter kit (T4i)	30089 **
	800-hour filter kit (T4F)	30408 **
	Engine oil filter	104-5169
	Engine oil filter breather element	98-7419
	Air filter element Inner (2004 and on)	108-3816
	Air filter element Outer (2004 and on)	108-3814
	In-line plastic diesel fuel filter (2002–2007)	98-7612
	In-line metal diesel fuel filter (2002–2007)	108-3828
	Diesel fuel filter element (2002–2007)	98-9764
Diesel fuel filter element (2008 and on)	110-9049	
In-line bio-diesel fuel filter kit	112-7836	
Bio-diesel fuel filter element	110-9015	
Hydraulic oil filter element AT pump	75-1310	
Hydraulic oil filter element AT manifold	94-2621	
Oil filter	93-2242	
<b>Groundsmaster 5900 5910</b>	400-hour filter kit	30041 **
	1,000-hour MVP kit (2019 and on)	44958 **
	Engine oil filter	130-8860
	Air filter element - Inner	115-8877
	Air filter element Outer	115-8887
	Diesel fuel filter element AT engine	117-2792
Diesel fuel filter element AT separator	115-5471	
Hydraulic oil filter main element	86-6110	
Hydraulic oil filter PTO element	75-1310	
Fuel filter (2016 and on)	125-8752	
Engine filter (2016 and on)	125-7025	
<b>Groundsmaster 7200 7210</b>	400-hour filter kit (2007)	30037 **
	400-hour filter kit (2008–2014)	30052 **
	MVP filter kit, Tier 4 Final (2015 and on)	30261 **
	Engine oil filter	108-3841
	Air filter element	108-3810
	In-line plastic diesel fuel filter (2007)	98-7612
	In-line metal diesel fuel filter (2007)	108-3828
Diesel fuel filter element (2007)	98-9764	
Diesel fuel filter element (2008 and on)	110-9049	
Bio-diesel fuel filter element	110-9015	
Hydraulic oil filter element-Trans	108-5194	
Filter - Fuel/Water separator	125-2915	

**QUICK REFERENCE GUIDE**  
**FILTERS**



## QUICK REFERENCE GUIDE FILTERS

Equipment	Description	Part No
<b>Aerator</b>		
<b>ProCore 648</b>	In-line fuel filter	115-7854
	Hydraulic oil filter	107-9531
<b>Hydroject 3000 4000</b>	400-hour maintenance kit	30008 **
	Engine oil filter breather element	57-8580
	Engine oil filter	108-3817
	Air filter element	82-0660
	In-line gas fuel filter	71-5960
	Hydraulic oil filter element (3000 only)	67-8110
	Water filter pre-filter assembly	86-9100
	Water filter pre-filter bowl	86-9120
	Water filter element pre-filter	86-9140
	Water filter element standard	86-8630
Water filter element-25 micron	80-9590	
<b>Hydroject 3010</b>	Engine oil filter	52 050 02-S
	Air filter element-Primary	25 083 01 S
	Air filter element-Safety	25 083 04 S
	In-Line Gas Fuel Filter	24 050 09 S
	Hydraulic oil filter element	67-8110
	Water filter pre-filter assembly	86-9100
	Water filter pre-filter bowl	86-9120
	Water filter element pre-filter	86-9140
	Water filter element standard	86-8630
<b>Workman®</b>		
<b>Workman 1100 MD</b>	400-hour filter kit	30005 **
	Air filter element	108-3811
	In-line gas fuel filter	94-2690
	Engine oil filter	107-7817
<b>Workman 2100 2110</b>	400-hour filter kit	30004 **
	Engine oil filter (2000-2007)	107-7817
	Engine oil filter (2008 and on)	842921
	Air filter element	108-3811
	In-line gas fuel filter	94-2690
	Water filter pre-filter assembly	86-9100
	Water filter pre-filter bowl	86-9120
	Water filter element pre-filter	86-9140
Water filter element standard	86-8630	
<b>Workman MDX</b>	Engine oil filter	52 050 02-S
	MDX	25 083 01 S
	Air filter element-Safety	25 083 04 S
	In-line gas fuel filter	24 050 09 S

Equipment	Description	Part No	
<b>Workman 3100</b>	Engine oil filter	12 050 01-S**	
	Engine oil filter breather element	24 050 10	
	Air filter element-Main (1994-2001)	47 083 03-S	
	Air filter element-Main (2002 and on)	24 083 03-S	
	Air filter element-Wrapper (1994-2001)	24 083 02-S	
	Air filter element-Wrapper (2002 and on)	24 083 05-S	
	In-line gas fuel filter (1993-1999)	108-3831	
	In-line gas fuel filter (2000 and on)	108-3854	
	Hydraulic oil filter element (1994-2003)	54-0110	
<b>Workman 3120</b>	Engine oil filter	12 050 01-S	
	Engine oil filter breather element	24 050 10	
	Air filter element-Main	47 083 03-S	
	Air filter element-Wrapper	24 083 02-S	
	In-line gas fuel filter	108-3831	
	Hydraulic oil filter element	54-0110	
<b>Workman 3200</b>	400-hour maintenance kit	30017 **	
	Engine oil filter (1993-1994)	42-9030	
	Engine oil filter (1995-2001)	108-3841	
	Engine oil filter (2002 and on)	108-3842	
	Air filter element (1993-1998)	108-3808	
	Air filter safety element (1999-2001)	98-2982	
	Gas fuel filter (1993-1999)	108-3831	
	In-line gas fuel filter (2000 and on)	108-3854	
	Hydraulic oil filter element (1993-2003)	54-0110	
<b>Workman 3210 3220</b>	Engine oil filter	108-3841	
	Air filter element	108-3811	
	Air filter safety element	98-2982	
	In-line gas fuel filter	108-3831	
	Hydraulic oil filter element	54-0110	
<b>Workman 3300D 4300D</b>	400-hour maintenance kit (2002 and on)	30006 **	
	Engine oil filter (1993-2001)	108-3841	
	Engine oil filter (2002 and on)	108-3842	
	Air filter element (1993-1998)	108-3808	
	Air filter element (1999 and on)	108-3811	
	Air filter safety element (1999 and on)	98-2982	
	Gas fuel filter element separator	63-8300	
	Gas electric fuel pump filter (EFP)	43-2550	
Hydraulic oil filter element (1993-2003)	54-0110		
<b>Workman 3310D 3220D</b>	Engine oil filter	108-3841	
	Air filter element	108-3811	
	Air filter safety element	98-2982	
	Diesel fuel filter element separator	63-8300	
	Diesel electric fuel pump filter (EFP)	43-2550	
	Hydraulic oil filter element	54-0110	

Equipment	Description	Part No	
<b>Workman 3420</b>	Engine oil filter	108-3841	
	Air filter element	108-3811	
	In-line gas fuel filter	108-3831	
	Hydraulic oil filter element	54-0110	
<b>Workman 4200</b>	400-hour maintenance kit (2002-2007)	30017 **	
	Engine oil filter (1995-2001)	108-3841	
	Engine oil filter (2002 and on)	108-3842	
	Air filter element (1993-1998)	108-3808	
	Air filter element (1999 and on)	108-3811	
	Air filter safety element (1999 and on)	98-2982	
	In-line gas fuel filter (1993-1999)	108-3831	
	In-line gas fuel filter (200 and on)	108-3854	
Hydraulic oil filter element (1995-2003)	54-0110		
Engine oil filter	108-3847		
<b>Workman HD</b>	Engine oil filter	12 050 01-S	
	Air filter pre-cleaner	24 083 05-S	
	Air filter element	24 083 03-S	
	In-line gas fuel filter (2012 and on)	108-3854	
	In-line gas fuel filter	115-7854	
Hydraulic oil filter element	54-0110		
Engine oil filter	108-3847		
<b>Workman HDX</b>	400-hour maintenance kit	30073 **	
	Engine oil filter (2012 and on)	108-3842	
	Engine oil filter (2013 and on)	115-8189	
	Air filter element (2012 and on)	108-3811	
	Air filter element (2013 and on)	108-3810	
	In-line gas fuel filter	115-7854	
	Gas fuel filter (2013 and on)	115-7818	
	Hydraulic oil filter	54-0110	
<b>Workman HDX-D</b>	400-hour maintenance kit	30068 **	
	Engine oil filter	108-3842	
	Air filter element	108-3811	
	Diesel fuel filter element-Separator	110-9049	
	Hydraulic oil filter element	54-0110	
<b>Workman HDX-Auto</b>	400-hour maintenance kit	131-8276	
	Engine oil filter	108-3847	
	Fuel filter element	115-7818	
	In-line fuel filter	115-7854	
	Air filter element	108-3811	
<b>Workman HDX-Auto</b>	400-hour maintenance kit	136-6280 **	
	Air filter	108-3811	
	Spark plug	130-8380	
	Fuel filter	56-6360	
	Air filter element	108-3811	

## QUICK REFERENCE GUIDE FILTERS

Equipment	Description	Part No	
<b>Multi Pro®</b>			
<b>Multi Pro 1100</b>	Engine oil filter	12 050 01	
	Air filter	47 083 03-S	
	Gas fuel filter	24 050 02-S	
<b>Multi Pro 1200 1250 1750</b>	MVP filter kit/Screen suction (MP 1750)	131-3751 **	
	Engine oil filter	108-3847	
	Air filter element-Main	47 083 03-S	
	Air filter element-Wrapper	24 083 02-S	
	In-line gas fuel filter	24 050 02-S	
Hydraulic oil filter element	54-0110		
<b>Multi Pro 5200</b>	Engine oil filter Call local Toro distributor		
	Air filter element	106-4904	
	In-line gas fuel filter	108-3854	
<b>Multi Pro 5500</b>	Engine oil filter	108-3817	
	Air filter element	106-4904	
	Air filter element-Cab	92-3814	
	In-line gas fuel filter	108-3854	
	In-line hydraulic oil filter	86-3010	
<b>Multi Pro 5600</b>	Engine oil filter	108-3817	
	Air filter element	106-4904	
	In-line gas fuel filter	108-3854	
	In-line hydraulic oil filter	86-3010	
<b>Multi Pro 5700D</b>	Engine oil filter	108-3841	
	Air filter element	108-3810	
	In-line plastic diesel fuel filter	98-7612	
	In-line metal diesel fuel filter	108-3828	
	Diesel fuel filter element (2004-2007)	98-9764	
	Diesel fuel filter element (2008 and on)	110-9049	
	In-line bio-diesel fuel filter kit	112-7836	
	Bio-diesel kit element	110-9015	
In-line hydraulic oil filter	86-3010		
<b>Multi Pro 5800</b>	Engine oil filter	108-3841	
	Air filter element	108-3810	
	Diesel fuel filter element	110-9049	
	Separator filter assembly	110-9044	
	50 Blue suction hydraulic oil filter	100-8642	
	Hydraulic oil filter element AT pump	75-1310	
	Gasoline fuel filter element	125-2902	
	Oil filter	93-2242	





## QUICK REFERENCE GUIDE

### Groundsmaster®

Equipment	Description	Application	Part No
<b>Groundsmaster series decks 52 62 200</b>	STANDARD BLADE	132.1 cm/52" SD and RD deck (45.7 cm/18" blade)	27-0990-03
	HIGH SAIL BLADE	132.1 cm/52" SD and RD deck (45.7 cm/18" blade)	44-5480
	ATOMIC BLADE	132.1 cm/52" SD and RD deck (45.7 cm/18" blade)	104-1301
	ATOMIC BLADE SERVICE PACK	132.1 cm/52" SD and RD deck (6 #104-1301 blades)	108-1477
	STANDARD BLADE	157.5 cm/62" Guardian (55.2 cm/21.75" blade)	92-5608-03
	STANDARD BLADE	157.5 cm/62" SD and RD Deck (55.2 cm/21.75" blade)	44-6250-03
	HIGH SAIL BLADE	157.5/62" SD and RD Deck (55.2 cm/21.75" blade)	77-6710-03
	ATOMIC BLADE	157.5/62" SD and RD deck (55.2 cm/21.75" blade)	104-1303
	ATOMIC BLADE SERVICE PACK	157.5/62" SD and RD Deck (6 #104-1303 Blades)	106-0631
	STANDARD BLADE	182.9 cm/72" SD and RD Deck (62.9 cm/24.75" blade)	94-1861-03
<b>Groundsmaster series decks 72 300</b>	HIGH SAIL BLADE	182.9 cm/72" SD and RD Deck (62.9 cm/24.75" blade)	104-4569-03
	ATOMIC BLADE	182.9 cm/72" SD and RD Deck (62.9 cm/24.75" blade)	104-1304
	ATOMIC BLADE SERVICE PACK	182.9 cm/72" SD and RD Deck (6 #104-1304 Blades)	108-1478
	STANDARD BLADE	182.9 cm/72" Guardian (63.5 cm/25" blade)	85-6040-03
	STANDARD BLADE	182.9 cm/72" SD and RD deck (63.5 cm/25" blade)	29-5530-03
	HIGH SAIL BLADE	182.9 cm/72" SD and RD deck (63.5 cm/25" blade)	23-2410-03
	ATOMIC BLADE	182.9 cm/72" SD and RD deck (63.5 cm/25" blade)	106-4353-03
	ATOMIC BLADE SERVICE PACK	182.9 cm/72" SD and RD deck (6 #106-4354 Blades)	108-1454
	STANDARD BLADE	223.5 cm/88" TriFlex deck (48.3 cm/19" blade)	63-0080-03
	<b>Groundsmaster 455D</b>	STANDARD BLADE	320.0 cm/126" Quadfloat deck (48.3 cm/19" blade)
ATOMIC BLADE		320.0 cm/126" Quadfloat deck (48.3 cm/19" blade)	107-0216-03
ATOMIC BLADE SERVICE PACK		320.0 cm/126" Quadfloat deck (7 #107-0216-03 blades)	108-1452
<b>Groundsmaster 580D</b>	STANDARD BLADE	Centre and wing decks (50.8 cm/20" blade)	69-6920-03
	ATOMIC BLADE	Centre and wing decks (50.8 cm/20" blade)	107-0217-03
	ATOMIC BLADE SERVICE PACK	Centre and wing decks (11 #107-0217-03 blades)	108-1453
<b>Groundmaster 1200</b>	STANDARD BLADE	48.3 cm/19"	138-9029
	MEDIUM SAIL BLADE	48.3 cm/19"	137-3659-03
	HIGH SAIL BLADE	48.3 cm/19"	138-9028
	HIGH SAIL BLADE	48.3 cm/19"	137-3671-03
	ATOMIC BLADE	48.3 cm/19"	139-7799-03
	ATOMIC BLADE SERVICE PACK	48.3 cm/19"	140-0028
<b>Groundsmaster 3000</b>	STANDARD BLADE	182.9 cm/72" Guardian (63.5 cm/25" blade)	85-6040-03
	STANDARD BLADE	182.9 cm/72" RD deck (63.5 cm/25" blade)	93-4982
	STANDARD BLADE	208.3 cm/82" Contour deck (55.9 cm/22" blade)	93-8409
<b>Groundsmaster 3280D 3320</b>	STANDARD BLADE	132.1 cm/52" SD and RD deck (45.7 cm/18" blade)	27-0990-03
	HIGH SAIL BLADE	132.1 cm/52" SD and RD deck (45.7 cm/18" blade)	44-5480
	ATOMIC BLADE	132.1 cm/52" SD and RD deck (45.7 cm/18" blade)	104-1301
	ATOMIC BLADE SERVICE PACK	132.1 cm/52" SD and RD deck (6 #104-1301 blades)	108-1477
	MEDIUM SAIL BLADE	152.4 cm/60" SD deck (52 cm/20.5" blade)	110-4701
	HIGH SAIL BLADE	152.4 cm/60" SD deck (52 cm/20.5" blade)	110-4702-03
	ATOMIC BLADE	152.4 cm/60" SD deck (52 cm/20.5" blade)	110-4703-03
	STANDARD BLADE	157.5 cm/62" RD and Guardian deck (55.2 cm/21.75" blade)	92-5608-03
	ATOMIC BLADE	157.5 cm/62" RD (55.2 cm/21.75" blade)	107-0214-03
	STANDARD BLADE	182.9 cm/72" RD and Guardian deck (62.2 cm/24.5" blade)	121-5347-03
	MEDIUM SAIL BLADE	182.9 cm/72" SD deck (62.2 cm/24.5" blade)	110-0621-03
	HIGH SAIL BLADE	182.9 cm/72" SD deck (62.2 cm/24.5" blade)	110-0622-03
	ATOMIC BLADE	182.9 cm/72" RD and SD deck (62.2 cm/24.5" blade)	110-0624-03
	<b>Groundsmaster 3500D 3505D</b>	STANDARD BLADE	68.6 cm/27" deck (68.6 cm/27" blade) (2000-2005)
HIGH SAIL BLADE		68.6 cm/27" deck (68.6 cm/27" blade) (2000-2005)	104-5183
COMBINATION BLADE		68.6 cm/27" deck (68.6 cm/27" blade) (2006 and up)	108-9026-03
ATOMIC BLADE		68.6 cm/27" deck (68.6 cm/27" blade) (2006 and up)	107-0235-03
ATOMIC BLADE SERVICE PACK		68.6 cm/27" deck (6 #107-0235-03 blades)	108-1462
<b>Groundsmaster 360</b>	ATOMIC BLADE	182.9 cm/72" SD and Guardian deck (62.2 cm/24.5" blade)	110-0624-03
	MEDIUM SAIL BLADE	182.9 cm/72" SD and Guardian deck (62.2 cm/24.5" blade)	110-0622-03
	HIGH SAIL BLADE	254 cm/100" deck (48.3 cm/19" blade)	132-1319

#### HIGH SAIL

- Provides best quality of cut in most grass conditions.
- Preferred blade for bagging applications.

#### MEDIUM SAIL

- Provides better quality of cut.
- Better overall performance in most conditions.

#### LOW SAIL

- Low noise level.
- Lower power consumption.
- Reduced discharge velocity of clippings.

#### ATOMIC

- Aggressive teeth design shreds grass, leaving a fine mulch.

## QUICK REFERENCE GUIDE

### Groundsmaster® - continued

Equipment	Description	Application	Part No	
<b>Groundsmaster 4000D</b>	STANDARD BLADE	335.3 cm/132" deck (55.2 cm/21.75" blade)	92-5608-03	
	STD. BLADE SERVICE PACK	335.3 cm/132" deck (7 #92-5608-03 blades)	117-2722	
	FLAT SAIL BLADE	335.3 cm/132" deck (55.2 cm/21.75" blade)	110-6115-03	
	FLAT SAIL BLADE SERVICE PACK	335.3 cm/132" deck (7 #110-6115-03 blades)	110-6130	
	MEDIUM SAIL BLADE	335.3 cm/132" deck (55.2 cm/21.75" blade)	136-4370-03	
	MEDIUM SAIL SERVICE PACK	335.3 cm/132" (7 #136-4370-03 blades)	137-5500	
	ATOMIC BLADE	335.3 cm/132" deck (55.2 cm/21.75" blade)	107-0214-03	
	ATOMIC BLADE SERVICE PACK	335.3 cm/132" deck (7 #107-1214-03 blades)	108-1450	
	<b>Groundsmaster 4100D</b>	STANDARD BLADE	315.0 cm/124" deck (48.3 cm/19" blade)	106-7166-03
		FLAT SAIL BLADE	315.0 cm/124" deck (48.3 cm/19" blade)	110-6116-03
FLAT SAIL BLADE SERVICE PACK		315.0 cm/124" deck (7 #110-6116-03 blades)	110-6140	
ATOMIC BLADE		315.0 cm/124" deck (48.3 cm/19" blade)	107-0215-03	
ATOMIC BLADE SERVICE PACK		315 cm/124" deck (7 #107-1215-03 blades)	108-1451	
<b>Groundsmaster 4300D</b>	COMBINATION BLADE	Contour Plus 55.9 cm deck (55.9 cm/22" blade)	108-7395-03	
	COMBO BLADE SERVICE BACK	5 of 108-7395-03	119-6957	
	HIGH SAIL BLADE	Contour Plus 55.9 cm/22" deck (55.9 cm/22" blade)	114-0434-03	
	ATOMIC BLADE	Contour Plus 55.9 cm/22" deck (55.9 cm/22" blade)	114-0435-03	
	ANGLE SAIL BLADE	Contour Plus 55.9 cm/22" deck (55.9 cm/22" blade)	117-0209-03	
<b>Groundsmaster 4500D</b>	STANDARD BLADE	68.6 cm/27" deck (68.6 cm/27" blade) (2002-2005)	105-9810-03	
	HIGH SAIL BLADE	68.6 cm/27" deck (68.6 cm/27" blade) (2002-2005)	104-5183	
	COMBINATION BLADE	68.6 cm/27" deck (68.6 cm/27" blade) (2006 and up)	108-9026	
	ATOMIC BLADE	68.6 cm/27" deck (68.6 cm/27" blade) (2006 and up)	107-0235-03	
	ATOMIC BLADE SERVICE PACK	68.6 cm/27" deck (5 #107-0235-03 blades)	108-1463	
<b>Groundsmaster 4700D</b>	STANDARD BLADE	68.6 cm/27" deck (68.6 cm/27" blade) (2002-2005)	105-9810-03	
	HIGH SAIL BLADE	68.6 cm/27" deck (68.6 cm/27" blade) (2002-2005)	104-5183	
	ATOMIC BLADE	68.6 cm/27" deck (68.6 cm/27" blade) (2006 and up)	107-0235-03	
	ATOMIC BLADE SERVICE PACK	68.6 cm/27" deck (7 #107-0235-03 blades)	108-1464	
	STANDARD BLADE	Centre and wing decks (50.8 cm/20" blade) Tier 3	110-5946-03	
	STD. BLADE SERVICE PACK	Centre and wing decks (11 #110-5946-03 blades) Tier 3	115-8896	
	ATOMIC BLADE	Centre and wing decks (50.8 cm/20" blade) Tier 3	110-5948-03	
	ATOMIC BLADE SERVICE PACK	Centre and wing decks (11 #110-5948-03 blades) Tier 3	114-0897	
	STANDARD BLADE	Centre and wing decks (50.8 cm/20" blade) Tier 4	130-9151-03	
	ATOMIC BLADE	Centre and wing decks (50.8 cm/20" blade) Tier 4	132-1390-03	
	ATOMIC BLADE SERVICE PACK	Centre and wing decks (11 #132-1390-03) Tier 4	132-1391	
	STANDARD BLADE SERVICE PACK	Centre and wing decks (11 #130-9151-03 blades) Tier 4	132-1392	
	<b>Groundsmaster 7200 7210</b>	STANDARD BLADE	158 cm/62" Guardian (55.2 cm/21.75" blade)	92-5608-03
		STANDARD BLADE	183 cm/72" Guardian (62.2 cm/24.5" blade)	121-5347-03
MEDIUM SAIL BLADE		183 cm/72" SD deck (62.2 cm/24.5" blade)	110-0621-03	
HIGH SAIL BLADE		183 cm/72" SD deck (62.2 cm/24.5" blade)	110-0622-03	
ATOMIC BLADE		183 cm/72" SD deck (62.2 cm/24.5" blade)	110-0624-03	
FLAT SAIL BLADE		183 cm/72" Guardian (62.2 cm/24.5" blade)	112-9586-03	
HIGH SAIL BLADE		254 cm/100" deck (48.3 cm/19" blade)	132-1319	

Prices subject to change without notice. Please see your Parts Catalogue or Master Parts Viewer to ensure that the correct part is ordered, as the part you need may not be listed. [toro.com/parts](http://toro.com/parts)

**Blades reference chart - Groundsmaster®**

GM unit	Cutting deck	Deck model	Blade length	Combo	Angle sail	Medium flow	High flow	Atomic® mulching	Flat	Standard
<b>1200</b>	137 cm RD (54") 3x decks		48.3 cm (19")			137-3659-03	137-3671-03	139-7799-03		137-3671-03
			Service pack			138-9029	138-9028	140-0028		138-9029
<b>3200/3300</b>	152 cm SD (60")	31970	52 cm (20.5")			110-4701	110-4702-03	110-4703-03		110-4702-03
	152 cm RD (60")	31971	52 cm (20.5")			110-4701	110-4702-03	110-4703-03		110-4701
	183 cm SD (72")	31972	62 cm (24.5")			110-0621-03	110-0622-03	110-0624-03		110-0622-03
	183 cm RD (72")	31973	62 cm (24.5")			110-0621-03	110-0622-03	110-0624-03		110-0621-03
<b>3280-D</b>	132 cm SD (52")	30555	46 cm (18")				44-5480	104-1301		27-0990-03
	Service pack						108-1477			
	152 cm SD (60")	30366	52 cm (20.5")				110-4702-03	110-4703-03		110-4701
	157 cm RD and Guardian	30403	55 cm (21.75")					107-0214-03		92-5608-03
	183 cm SD (72")	31336	62 cm (24.5")			110-0621-03	110-0622-03	110-0624-03		
	183 cm RD and Guardian	31335 30303	64 cm (25.18")							121-5347-03
<b>360</b>	152 cm SD (60")	30456	52 cm (20.5")			110-4701	110-4702-03	110-4703-03		110-4701
	157 cm Guardian (62")	30457	55.2 cm (21.75")					107-0214-03	110-6115-03	92-5608-03
	183 cm SD (72")	30481	62 cm (24.5")			110-0621-03	110-0622-03	110-0624-03		110-0621-03
	183 cm RD and Guardian	30353	64 cm (25.18")	125-9444-03					112-9586-03	121-5347-03
	254 cm RD (100")	31101	48.3 cm (19")	106-7166-03			132-1319			
Service pack					132-1325					
			64 cm (25.18")	125-9444-03						

03/08/2022



- High sail/Flow**
- Provides best quality of cut in most grass conditions.
  - Provides better air flow.

- Angled sail blade**
- Performs best in lower heights of cut 1.9-6.4 cm (¾-2.5")
  - Less tendency to throw grass and discharge is more even at lower cutting heights.



- Atomic blade**
- Provides the best quality of cut while mulching.
  - Preferred blade for mulching applications.

For more information, contact your local Toro distributor at 800-803-8676.

GM Unit	Cutting Deck	Deck Model	Blade Length	Combo	Angle Sail	Medium Flow	High Flow	Atomic® Mulching	Flat	Standard
<b>3500-D</b> <b>3500-G</b> <b>3505-D</b>	69 cm RD (27")	30834	69 cm (27")	108-9026	105-9810-03		104-5183	107-0235-03		
			Service pack				108-1462			
<b>4000-D</b> <b>4010-D</b>	Centre and wing decks		55.2 cm (21.75")			136-4370-03		107-0214-03	110-6115-03	92-5608-03
			Service pack			137-5500	108-1450	110-6130	117-2722	
<b>4100-D</b> <b>4110-D</b>	Centre and wing decks		48.3 cm (19")	106-7166-03				107-0215-03	110-6116-03	
			Service pack	130-2660			108-1451	110-6140		
<b>4300-D</b>	55.9 cm RD (22" RD)	30845	55.9 cm (22")	108-7395-03	117-0209-03		114-0434-03	114-0435-03		
			Service pack	119-6957						
<b>4500-D</b>	69 cm RD (27" RD)	30834	69 cm (27")	108-9026	105-9810-03		104-5183	107-0235-03		
			Service pack				108-1463			
<b>4700-D</b>	69 cm RD (27")	30834	69 cm (27")	108-9026	105-9810-03		104-5183	107-0235-03		
			Service pack				108-1464			
<b>T3 5900</b> <b>T3 5910</b>	3 RD decks		50.8 cm (20")	110-5946-03				110-5948-03		
			Service pack	115-8896			114-0897			
<b>T4 5900</b> <b>T4 5910</b>	3 RD decks		50.8 cm (20")					132-1390-03		130-9151-03
			Service pack				132-1391		132-1392	
<b>7200/7210</b>	152 cm (60")	30456	52 cm (20.5")			110-4701	110-4702-03	110-4703-03		110-4701
	157 cm RD and Guardian	60457	55.2 cm (21.75")					107-0214-03	110-6115-03	92-5608-03
	183 cm SD (72")	30481	62 cm (24.5")			110-0621-03	110-0622-03	110-0624-03		110-0621-03
	183 cm RD and Guardian	30353	64 cm (25.18")	125-9444-03					112-9586-03	121-5347-03
	254 cm RD (100")	31101	48.3 cm (19")	106-7166-03			132-1319			
Service pack					132-1325					
			64 cm (25.18")	125-9444-03						

03/08/2022



- Medium sail/Flow**
- Provides better quality of cut.
  - Better overall performance in most conditions.

- Combination sail blade**
- Provides excellent lift and dispersion.
  - Standard blade on all Groundsmaster® Contour mowers.



- Flat blade**
- Low noise level.
  - Lower power consumption.
  - Reduced discharge velocity of clippings.

For more information, contact your local Toro distributor at 800-803-8676.



**Bedknives reference chart - Fairway**

Reelmaster unit	Description	HOC range	No of holes	Lip height**	Standard	EdgeMax™	Top angle	Front angle
<b>3550</b> <b>EdgeSeries™ cutting units</b> <b>DPA cutting units</b>	457 mm (18") low cut	6.4 mm - 12.7 mm (¼" - ½")	6	5.59 mm (0.220")	121-3167	137-6090 Insert	10°	5°
	457 mm (18") Fairway cut	9.5 mm and up (¾" and up)	6	6.90 mm (0.270")	121-3166	137-6091 Insert	10°	5°
	559 mm (22") low cut	6.4 mm - 12.7 mm (¼" - ½")	8	5.59 mm (0.220")	110-4084	137-6093 Insert	10°	5°
	559 mm (22") Fairway cut	9.5 mm and up (¾" and up)	8	6.90 mm (0.270")	108-9096	137-6094 Insert	10°	5°
<b>3555/3575</b> <b>5010-H</b> <b>5210</b> <b>5410</b> <b>5510</b> <b>5610</b> <b>6500</b> <b>6700</b> <b>EdgeSeries cutting units</b> <b>DPA cutting units</b>	559 mm (22") low cut	6.4 mm - 12.7 mm (¼" - ½")	8	5.59 mm (0.220")	110-4084	137-6093 Insert	10°	5°
	559 mm (22") low cut extended	6.4 mm - 12.7 mm (¼" - ½")	8	5.59 mm (0.220")	120-1640	119-4280 Solid	10°	10°
	559 mm (22") Fairway cut	9.5 mm and up (¾" and up)	8	6.90 mm (0.270")	108-9096	137-6094 Insert	10°	5°
	559 mm (22") Fairway cut - Heavy duty	12.7 mm and up (½" and up)	8	9.4 mm (0.370")	110-4074		10°	5°
<b>3100</b> <b>7000</b> <b>EdgeSeries cutting units</b> <b>DPA cutting units</b>	686 mm (27") Fairway cut	9.5 mm and up (¾" and up)	10	6.90 mm (0.270")	114-9388	137-6095 Insert	10°	5°
	686 mm (27") low cut extended	6.4 mm - 12.7 mm (¼" - ½")	10	5.59 mm (0.220")	120-1641		10°	10°
	686 mm (27") Fairway cut - Heavy duty	12.7 mm and up (½" and up)	10	9.4 mm (0.370")	114-9390		10°	5°
	813 mm (32") Fairway cut	9.5 mm and up (¾" and up)	12	6.90 mm (0.270")	114-9389		10°	5°
	813 mm (32") low cut extended	6.4 mm - 12.7 mm (¼" - ½")	12	5.59 mm (.220")	120-1642		10°	10°
	813 mm (32") Fairway cut - Heavy duty	12.7 mm and up (½" and up)	12	9.4 mm (0.370")	114-9391		10°	5°
<b>5</b> <b>7</b> <b>11</b> <b>TDM (Turf-Driven Mower)</b> <b>SPA cutting units</b>	787 mm (31") 11-blade reel	9.5 mm and up (¾" and up)	11	7.11 mm (0.280")	47-6680		10°	30°
	787 mm (31") 5- and 7-blade reel	12.7 mm and up (½" and up)	11	9.65 mm (0.380")	49-7660		10°	30°
<b>5200</b> <b>5300</b> <b>5400</b> <b>4-bolt cutting units</b>	533 mm (21") Fairway cut	9.5 mm and up (¾" and up)	7	6.90 mm (0.270")	137-6097	137-6092 Insert	10°	10° and 5°
	533 mm (21") Fairway cut - Heavy duty	12.7 mm and up (½" and up)	7	8.76 mm (0.345")	100-3350		10°	10°

03/08/2022

\*\*Service limit (worn-out condition) for all Fairway bedknives is when the bedknife lip height is 4.8 mm (0.190"). For more information, contact your local Toro distributor at 800-803-8676.

**Bedknives reference chart - Greens**

Greensmaster unit	Description	HOC range	No of holes	Standard	EdgeMax™	Min. top angle	Front angle
<b>800 Integral cutting unit</b> <b>Flex 18</b> <b>Flex and eFlex 1800/1820</b> <b>GR 1018</b>	457 mm (18") low cut	4.8 mm - 25.4 mm (¾" - 1")	11	110-2301		3°	13° + 4° - 0°
	457 mm (18") micro cut	1.6 mm - 4.8 mm (⅙" - ⅜")	11	98-7261	117-1530 Solid	3°	13° + 4° - 0°
	457 mm (18") micro cut extended*	1.6 mm - 4.8 mm (⅙" - ⅜")	11	110-2300		7°	13° + 4° - 0°
	457 mm (18") micro cut short**	1.6 mm - 25.4 mm (⅙" - 1")	11		139-4318 Solid	3°	13° + 4° - 0°
	457 mm (18") Tournament cut	3.2 mm - 12.7 mm (⅙" - ½")	11	98-7260	117-1532 Solid	3°	13° + 4° - 0°
	457 mm (18") Tournament short**	3.2 mm - 25.4 mm (⅙" - 1")	11		139-4319 Solid	3°	13° + 4° - 0°
<b>1000/1010/2000 Integral cutting unit</b> <b>Flex 21</b> <b>Flex 21 and eFlex 2100/2120</b> <b>GR 1021</b> <b>3000/3100/3200/3300/3400</b>	533 mm (21") low cut	4.8 mm - 25.4 mm (¾" - 1")	13	93-4264		3°	13° + 4° - 0°
	533 mm (21") micro cut	1.6 mm - 4.8 mm (⅙" - ⅜")	13	93-4262	115-1880 Solid	3°	13° + 4° - 0°
	533 mm (21") micro cut extended*	1.6 mm - 4.8 mm (⅙" - ⅜")	13	108-4303		7°	13° + 4° - 0°
	533 mm (21") Micro Cut Short**	1.6 mm - 25.4 mm (⅙" - 1")	13		139-4320 Solid	3°	13° + 4° - 0°
	533 mm (21") Tournament cut	3.2 mm - 12.7 mm (⅙" - ½")	13	93-4263	115-1881 Solid	3°	13° + 4° - 0°
	533 mm (21") Tournament cut extended*	3.2 mm - 12.7 mm (⅙" - ½")	13	108-4302		7°	13° + 4° - 0°
	533 mm (21") Tournament cut short**	3.2 mm - 25.4 mm (⅙" - 1")	13		139-4321 Solid	3°	13° + 4° - 0°
	533 mm (21") High cut	7.9 mm - 25.4 mm (⅝" - 1")	13	94-6392		3°	13° + 4° - 0°
	533 mm (21") Fairway cut	9.5 mm - 25.4 mm (¾" - 1")	7	137-6097	137-6092 Insert	10°	13° + 4° - 0°
	<b>1600/1610/2600 Integral cutting unit</b> <b>GR 1026</b>	660 mm (26") low cut	4.8 mm - 25.4 mm (¾" - 1")	16	93-9015		3°
660 mm (26") micro cut		1.6 mm - 4.8 mm (⅙" - ⅜")	16	112-9275	139-4324 Solid	3°	13° + 4° - 0°
660 mm (26") micro cut short**		1.6 mm - 25.4 mm (⅙" - 1")	16		139-4322 Solid	3°	13° + 4° - 0°
660 mm (26") Tournament cut		3.2 mm - 12.7 mm (⅙" - ½")	16	94-5885	117-1548 Solid	3°	13° + 4° - 0°
660 mm (26") Tournament short**		3.2 mm - 25.4 mm (⅙" - 1")	16		139-4323 Solid	3°	13° + 4° - 0°
660 mm (26") High cut		7.9 mm - 25.4 mm (⅝" - 1")	16	104-2646		3°	13° + 4° - 0°
660 mm (26") Fairway cut		9.5 mm - 25.4 mm (¾" - 1")	16	107-8181		3°	13° + 4° - 0°

03/08/2022

\*If you experience scalping with the aggressive bedbar, switch to the extended bedknives.  
\*\*For aggressive and/or higher height of cut applications.  
For more information, contact your local Toro distributor at 800-803-8676.

**Service reel reference chart - Fairway**

Reelmaster unit	Reel Length	Reel Diameter	Service limit/life	Cutting unit model	Reels+™			EdgeSeries (ES) Reels+™		
					5-Blade	7-Blade	8-Blade	11-Blade	5-Blade	8-Blade
<b>3550</b>	457 mm (18")	127 mm (5")	114 mm (4.5")	03911**			137-8402 RR			
				03480**				137-8406 RR		
				03485ES						
				03912**			137-8403 RR		137-8407 FSR	
				03481**						137-8407 FSR (137-8409 RR service only)
				03486ES						
<b>3550 - Rear only</b> <b>3555</b> <b>5010-H</b> <b>5410</b> <b>Low-drag DPA units</b> <b>(aluminium side plates)</b>	559 mm (22")	127 mm (5")	114 mm (4.5")	03913**			137-8412 RR			
				03482**				137-8426 RR		
				03634						
				03487ES						
				03621ES						
				03483**					137-8413 RR	
				03635						137-8427 FSR
				03488ES						
				03623ES						
				03489 ES						137-8429 RR
				03624 ES						
<b>3575</b> <b>5010-H</b> <b>5510/5610</b> <b>Low-drag DPA units</b> <b>(aluminium side plates)</b>	559 mm (22")	178 mm (7")	168 mm (6.6")	03638 ES					137-8445 RR	
				03639 ES			133-8205* RR Service only	137-8446 FSR		
				03641 ES					137-8447 FSR	
				03643 ES					137-8455 RR	
<b>5210/5410</b> <b>DPA units</b> <b>(red side plates)</b>	559 mm (22")	127 mm (5")	114 mm (4.5")	03661			137-8416 RR			137-8422 RR
				03694						
				03695			137-8417 RR		137-8423 FSR	
<b>5510</b> <b>5610</b> <b>6500</b> <b>6700</b> <b>DPA units</b> <b>(red side plates)</b>	559 mm (22")	178 mm (7")	168 mm (6.6")	03681			137-8432 RR			
				03863					137-8438 RR	
				03696						
				03698						
				03864				137-8437 RR Service only		
				03682			137-8433 RR			137-8439 FSR
			03697							
			03699							
			03693 ES							
<b>3100</b> <b>7000</b> <b>Low-drag DPA units</b> <b>(aluminium side plates)</b>	686 mm (27")	178 mm (7")	168 mm (6.6")	03188 ES					137-8469 RR	
				03189 ES					137-8470 RR	
				03192 ES						
				03721 ES						
				03190 ES						137-8471 RR
	813 mm (32")	178 mm (7")	168 mm (6.6")	03191 ES				137-8482 RR Service only	137-8483 RR	
				03722 ES						
<b>3100</b> <b>7000</b> <b>DPA units</b> <b>(red side plates)</b>	686 mm (27")	178 mm (7")	168 mm (6.6")	03180			137-8460 RR			137-8464 RR
				03710						
				03181						
				03183			137-8461 RR		133-8271* RR	
				03711						
	813 mm (32")	178 mm (7")	168 mm (6.6")	03182	137-8476 Service only		137-8477 RR			137-8479 RR
				03712						
<b>5/7/11</b> <b>TDM</b> <b>(Turf-Driven Mower)</b> <b>SPA units</b>	762 mm (30")	203 mm (8")	193 mm (7.6")	01005	130-0075* RR					
				01007			130-0071* RR			
				01011					130-0081* RR	
<b>5200</b> <b>5300</b> <b>5400</b> <b>4 bolt units</b>	533 mm (21")	127 mm (5")	114 mm (4.5")	03527	130-0088* RR					
				03506						
				03509			130-0093* RR			
				03528						
<b>6500</b> <b>6700</b> <b>SPA units</b>	559 mm (22")	178 mm (7")	168 mm (6.6")	03860	137-8451 RR					
				03861			137-8452 RR			
				03862					137-8453 RR	

\*Reels+/EdgeSeries Reels+ not available  
\*\*Thinner Greens blade

RR: Radial reel  
FSR: Forward swept reel

1.) Reel blade relief grind angle for all reels: 30° +/- 5°  
2.) Fairway relief grinding required when land width is greater than 3.2 mm (0.125").  
3.) Maximum allowed taper on all reels is 0.2 mm (0.010").

03/08/2022

For more information, contact your local Toro distributor at 800-803-8676

**Service reel reference chart - Greens**

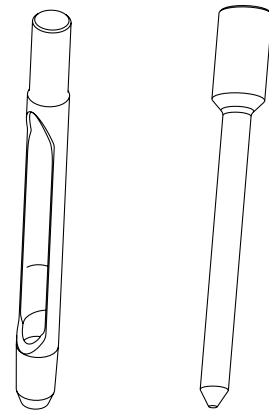
Greensmaster unit	Reel length	Reel diameter	Service limit/life	Cutting unit model	Reels+				EdgeSeries (ES) Reels+™			
					5-Blade HD	8-Blade	11-Blade	14-Blade	8-Blade	11-Blade	14-Blade	
<b>Flex and eFlex</b> <b>1800/1820</b> <b>(2012 and newer)</b>	457 mm (18")	127 mm (5")	114 mm (4.5")	04253			127-2164*			137-8522		
				04254				127-2165*		137-8523		
<b>GR 1018</b>	457 mm (18")	127 mm (5")	114 mm (4.5")	04289 ES						137-8522		
				04823 ES								
				04291 ES							137-8523	
				04824 ES								
<b>Flex 18</b> <b>(2011 and older)</b>	457 mm (18")	127 mm (5")	114 mm (4.5")	04206			127-2156*					
				04207							137-8566*	
<b>800</b> <b>Integral cutting unit</b>	457 mm (18")	127 mm (5")	114 mm (4.5")	04054 ES			127-2160* Service only			132-7353* Service only	132-7354*	
<b>Flex and eFlex</b> <b>2100/2120</b> <b>(2012 and newer)</b>	533 mm (21")	127 mm (5")	114 mm (4.5")	04832 ES					137-8511			
				04251								
				04833 ES						137-8512		
				04290 ES								
				04252								137-8513
<b>GR 1021</b>				04834 ES								
				04292 ES								
<b>Flex 21</b> <b>(2011 and older)</b>	533 mm (21")	127 mm (5")	114 mm (4.5")	04200						137-8570*		
				04202			127-2174* Service only					
				04208						137-8574*		
<b>1000/1010/2000</b> <b>Integral cutting unit</b>	533 mm (21")	127 mm (5")	114 mm (4.5")	04055 ES					132-7312*			
				04034								
				04036						132-7313*		132-7314* Service only
				04052								
				04038 ES								
<b>GR 1026</b>	660 mm (26")	127 mm (5")	114 mm (4.5")	04842 ES					138-5753			
				04843 ES						138-5755		
<b>1600/1610/2600</b> <b>Integral cutting unit</b>	660 mm (26")	127 mm (5")	114 mm (4.5")	04035						132-7361*		
				04060								
				04056 ES								
				04037							132-7362*	
				04039 ES								
<b>3000/3100/3200/</b> <b>3300/3400</b> <b>low drag DPA seal</b> <b>cutting unit</b> <b>(2012 and newer)</b>	533 mm (21")	127 mm (5")	114 mm (4.5")	04613					HD: 137-8517 Service only		137-8511	
				04618								
				04651 ES								
				04652 ES								
				04614								137-8512
				04619								
04653 ES												
04654 ES												
				04615							137-8513	
				04624								
				04655 ES								
				04656 ES								
<b>3000/3100/3200</b> <b>DPA cutting units</b> <b>(2011 and older)</b>	533 mm (21")	127 mm (5")	114 mm (4.5")	04610					HD: 137-8505* Service only		137-8495*	
				04611			131-2013* Service only				137-8496*	
				04616							137-8497*	

\*Reels+/EdgeSeries Reels+ not available  
1.) Reel blade relief grind angle for all reels: 30° +/- 5°  
2.) Relief grinding required when land width is greater than 2.5 mm (0.100").  
3.) Maximum allowed taper on all reels is 0.2 mm (0.010").  
4.) EdgeSeries Reels standard on 2016 models and newer.

HD: Heavy duty  
ES: EdgeSeries cutting unit

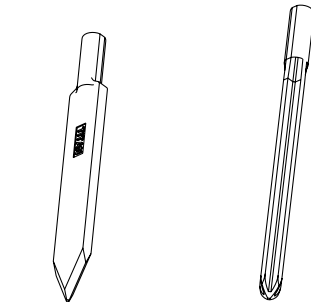
03/08/2022





**Quad**

**Solid round**



**Solid slicing**

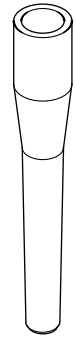
**Solid cross**

Ref. No	Part No	Description	Quantity
<b>ProCore® 440/660/880 tines – 3/8" mount</b>			
<b>Quad</b>	108-9104	Titan quad, 3/8" mount (4.50" x 0.36", 0.25")	A/R
	108-9104	Titan quad, 3/8" mount (4.50" x 0.36", 0.25")	A/R
	108-9112	Titan quad Max, 3/8" mount (4.50" x 0.36", 0.25")	A/R
	108-9105	Titan quad, 3/8" mount (4.50" x 0.46", 0.32")	A/R
	108-9114	Titan quad Max, 3/8" mount (4.50" x 0.46", 0.32")	A/R
	108-9106	Titan quad, 3/8" mount (4.50" x 0.55", 0.41")	A/R
	108-9116	Titan quad Max, 3/8" mount (4.50" x 0.58", 0.38")	A/R
	108-9293	Titan quad, 3/8" mount (4.50" x 0.58", 0.48")	A/R
	108-9108	Order 138-5937	A/R
	138-5937	Titan quad, 3/8" mount (5.00" x 0.36", 0.25")	A/R
	108-9120	Titan quad Max, 3/8" mount (5.00" x 0.38", 0.23")	A/R
	108-9109	Order 137-6526	A/R
	137-6526	Titan quad, 3/8" mount (5.00" x 0.46", 0.32")	A/R
	108-9122	Titan quad Max, 3/8" mount (5.00" x 0.48", 0.28")	A/R
	108-9110	Order 137-6527	A/R
	137-6527	Titan quad, 3/8" mount (5.00" x 0.55", 0.41")	A/R
	108-9124	Titan quad Max, 3/8" mount (5.00" x 0.58", 0.38")	A/R
	108-9294	Order 137-6529	A/R
	137-6529	Titan quad, 3/8" mount (5.00" x 0.58", 0.48")	A/R
	108-9290	Titan quad, 3/8" mount (5.50" x 0.55", 0.41")	A/R
<b>Solid round</b>	108-9230	Titan solid round, 3/8" mount (4.50" x 0.20")	A/R
	108-9231	Titan solid round, 3/8" mount (4.50" x 0.25")	A/R
	108-9232	Titan solid round, 3/8" mount (4.50" x 0.30")	A/R
	108-9233	Titan solid round, 3/8" mount (4.50" x 0.38")	A/R
	108-9234	Titan solid round, 3/8" mount (5.50" x 0.20")	A/R
	108-9235	Titan solid round, 3/8" mount (5.50" x 0.25")	A/R
	108-9236	Titan solid round, 3/8" mount (5.50" x 0.30")	A/R
	108-9237	Titan solid round, 3/8" mount (5.50" x 0.38")	A/R

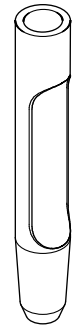
Ref. No	Part No	Description	Quantity	
<b>Solid slicing</b>	108-9238	Titan solid slicing, 3/8" mount (5.00" x 0.63")	A/R	
	108-9215	Titan cross, 3/8" mount (4.50" x 0.38")	A/R	
<b>Solid Cross</b>	108-9216	Titan cross, 3/8" mount (4.50" x 0.50")	A/R	
	112-1310	Titan cross max, 3/8" mount (4.50" x 0.50")	A/R	
	108-9217	Titan cross, 3/8" mount (4.50" x 0.62")	A/R	
	108-9218	Titan cross, 3/8" mount (5.50" x 0.38")	A/R	
	108-9219	Titan cross, 3/8" mount (5.50" x 0.50")	A/R	
	112-1311	Titan cross max, 3/8" mount (5.50" x 0.50")	A/R	
	108-9220	Titan cross, 3/8" mount (5.50" x 0.62")	A/R	
	<b>ProCore® 440/660/880 tines – 3/4" mount</b>			
	<b>Hollow</b>	108-9128	Titan hollow, 3/4" mount (4.75" x 0.46", 0.28")	A/R
		108-9139	Titan hollow max, 3/4" mount (4.75" x 0.46", 0.28")	A/R
		108-9129	Titan hollow, 3/4" mount (4.75" x 0.56", 0.41")	A/R
		108-9141	Titan hollow max, 3/4" mount (4.75" x 0.56", 0.38")	A/R
		108-9130	Titan hollow, 3/4" mount (4.75" x 0.66", 0.53")	A/R
108-9143		Titan hollow max, 3/4" mount (4.75" x 0.66", 0.48")	A/R	
108-9132		Titan hollow, 3/4" mount (5.75" x 0.46", 0.28")	A/R	
108-9133		Titan hollow, 3/4" mount (5.75" x 0.56", 0.41")	A/R	
108-9147		Titan hollow max, 3/4" mount (5.75" x 0.56", 0.38")	A/R	
108-9134		Titan hollow, 3/4" mount (5.75" x 0.66", 0.53")	A/R	
108-9149		Titan hollow max, 3/4" mount (5.75" x 0.66", 0.48")	A/R	
114-0551		Titan hollow ext. Taper, 3/4" mount (5.75" x 0.66", 0.53")	A/R	
114-0553		Titan hollow ext. Taper max, 3/4" mount (5.75" x 0.68", 0.47")	A/R	
66-9140		Classic hollow, 3/4" mount (4.75" x 0.50", 0.40")	A/R	
59-3670		Classic hollow, 3/4" mount (4.75" x 0.63", 0.50")	A/R	
104-0984		Classic hollow, 3/4" mount (5.75" x 0.63", 0.51")	A/R	

Ref. No	Part No	Description	Quantity
<b>Side eject</b>	108-9159	Titan side eject, 3/4" mount (4.75" x 0.46", 0.28")	A/R
	108-9170	Titan side eject max, 3/4" mount (4.75" x 0.46", 0.28")	A/R
108-9160	Titan side eject, 3/4" mount (4.75" x 0.56", 0.41")	A/R	
108-9172	Titan side eject max, 3/4" mount (4.75" x 0.56", 0.38")	A/R	
108-9161	Titan side eject, 3/4" mount (4.75" x 0.66", 0.53")	A/R	
108-9174	Titan side eject max, 3/4" mount (4.75" x 0.66", 0.48")	A/R	
108-9163	Titan side eject, 3/4" mount (5.75" x 0.46", 0.23")	A/R	
108-9176	Titan side eject max, 3/4" mount (5.75" x 0.46", 0.28")	A/R	
108-9164	Titan side eject, 3/4" mount (5.75" x 0.56", 0.41")	A/R	
108-9178	Titan side eject max, 3/4" mount (5.75" x 0.56", 0.38")	A/R	
108-9165	Titan side eject, 3/4" mount (5.75" x 0.66", 0.53")	A/R	
108-9180	Titan side eject max, 3/4" mount (5.75" x 0.66", 0.48")	A/R	
114-0555	Titan side eject ext. Taper, 3/4" mount (5.75" x 0.66", 0.53")	A/R	
114-0557	Titan side eject ext. Taper max, 3/4" mount (5.75" x 0.66", 0.47")	A/R	
108-9260	HD Fairway, 3/4" mount (5.75" x 0.77", 0.51")	A/R	
108-9261	HD Fairway, 3/4" mount (5.75" x 0.88", 0.51")	A/R	
104-9876	Fairway, 3/4" mount (5.75" x 0.77", 0.51")	A/R	
104-9875	Fairway, 3/4" mount (5.75" x 0.88", 0.51")	A/R	

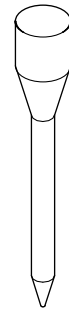
Ref. No	Part No	Description	Quantity
<b>Solid Round</b>	108-9198	Titan solid round, 3/4" mount (4.50" x 0.25")	A/R
	108-9199	Titan solid round, 3/4" mount (4.50" x 0.30")	A/R
	108-9200	Titan solid round, 3/4" mount (4.50" x 0.35")	A/R
	108-9201	Titan solid round, 3/4" mount (4.50" x 0.40")	A/R
	108-9202	Titan solid round, 3/4" mount (4.50" x 0.50")	A/R
	108-9203	Titan solid round, 3/4" mount (4.50" x 0.60")	A/R
	108-9204	Titan solid round, 3/4" mount (5.50" x 0.25")	A/R
	108-9205	Titan solid round, 3/4" mount (5.50" x 0.30")	A/R
	108-9206	Titan solid round, 3/4" mount (5.50" x 0.35")	A/R
	108-9207	Titan solid round, 3/4" mount (5.50" x 0.40")	A/R
	108-9208	Titan solid round, 3/4" mount (5.50" x 0.50")	A/R
	108-9209	Titan solid round, 3/4" mount (5.50" x 0.60")	A/R
	108-9244	Titan solid round, 3/4" mount (5.50" x 0.75")	A/R
<b>Solid Slicing</b>	108-9239	Titan solid slicing, 3/4" mount (4.50" x 0.75")	A/R
	108-9240	Titan solid slicing, 3/4" mount (5.50" x 0.75")	A/R
<b>Solid Cross</b>	108-9221	Titan cross, 3/4" mount (4.50" x 0.50")	A/R
	108-9223	Titan cross, 3/4" mount (4.50" x 0.75")	A/R
	108-9224	Titan cross, 3/4" mount (5.50" x 0.50")	A/R
	112-1313	Titan cross max, 3/4" mount (5.50" x 0.50")	A/R
	108-9226	Titan cross, 3/4" mount (5.50" x 0.75")	A/R



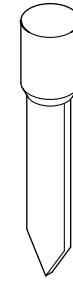
**Hollow**



**Side eject**



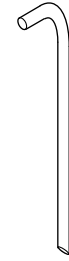
**Solid round**



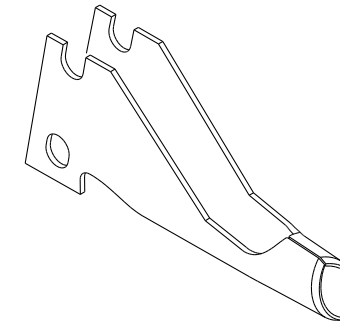
**Solid slicing**



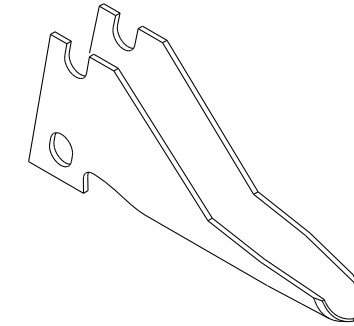
**Solid cross**



**Solid needle**



**Closed spoon**



**Open spoon**

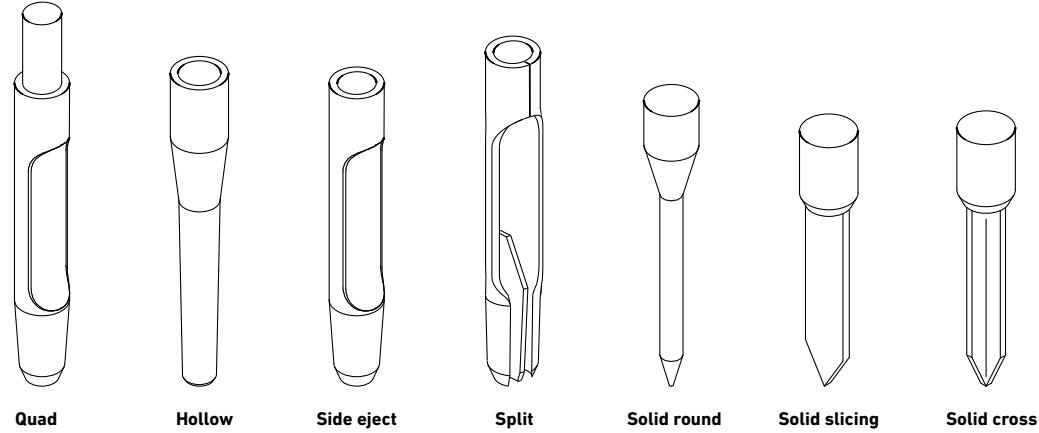
Ref. No	Part No	Description	Quantity
<b>ProCore® 440/660/880 tines – 7/8" and needle mount</b>			
<b>Hollow</b>	108-9190	Titan hollow, 7/8" mount (4.75" x 0.66", 0.51")	A/R
	108-9191	Titan hollow, 7/8" Mount (4.75" x 0.76", 0.63")	A/R
	108-9192	Titan hollow, 7/8" mount (5.75" x 0.66", 0.51")	A/R
	108-9193	Titan hollow, 7/8" mount (5.75" x 0.76", 0.63")	A/R
	62-4600	Classic hollow, 7/8" mount (4.75" x 0.75", 0.60")	A/R
	86-9720	Classic hollow, 7/8" mount (5.75" x 0.75", 0.60")	A/R
<b>Side eject</b>	108-9194	Titan side eject, 7/8" mount (4.75" x 0.66", 0.51")	A/R
	108-9195	Titan side eject, 7/8" mount (4.75" x 0.76", 0.63")	A/R
	108-9196	Titan side eject, 7/8" mount (5.75" x 0.66", 0.51")	A/R
	108-9188	Titan side eject max, 7/8" mount (5.75" x 0.66", 0.48")	A/R
	108-9197	Titan side eject, 7/8" mount (5.75" x 0.76", 0.63")	A/R
	108-9264	Titan HD Fairway, 7/8" mount (5.75" x 0.88", 0.64")	A/R
	108-9265	Titan HD Fairway, 7/8" mount (5.75" x 1.0", 0.64")	A/R
	92-7900	Fairway, 7/8" mount (5.75" x 0.88", 0.64")	A/R
104-9877	Fairway, 7/8" mount (5.75" x 1.0", 0.64")	A/R	

Ref. No	Part No	Description	Quantity
<b>Side round</b>	108-9246	Titan solid round, 7/8" mount (5.50" x 0.75")	A/R
	108-9247	Titan solid round, 7/8" mount (5.50" x 0.88")	A/R
<b>Solid slicing</b>	108-9242	Titan solid slicing, 7/8" mount (5.50" x 0.75")	A/R
<b>Solid cross</b>	108-9259	Titan cross, 7/8" mount (5.50" x 0.88")	A/R
<b>Solid needle</b>	100-3620*	Titan solid needle 5 mm x 16 cm	A/R
	100-3621*	Titan solid needle 8 mm x 71 cm	A/R

Ref. No	Part No	Description	Quantity
<b>Turf Aerator 686/687 tines</b>			
<b>Closed spoon</b>	01-283-0050	Order 108-9297	A/R
	108-9297	1/2" Spoon tine closed (686/687)	A/R
	01-283-0060	Order 108-9299	A/R
	108-9299	3/4" spoon tine closed (686/687)	A/R
	62-4600	Classic hollow, 7/8" mount (4.75" x 0.75", 0.60")	A/R
	86-9720	Classic hollow, 7/8" mount (5.75" x 0.75", 0.60")	A/R

Ref. No	Part No	Description	Quantity
<b>Open spoon</b>	01-283-0070	Order 108-9296	A/R
	108-9296	1/2" spoon tine open (686/687)	A/R
	01-283-0080	Order 108-9298	A/R
	108-9298	3/4" spoon tine open (686/687)	A/R
•	01-283-0030	10 cm slicing blade (686/687)	
•	01-283-0040	Slicing blade (686/687)	



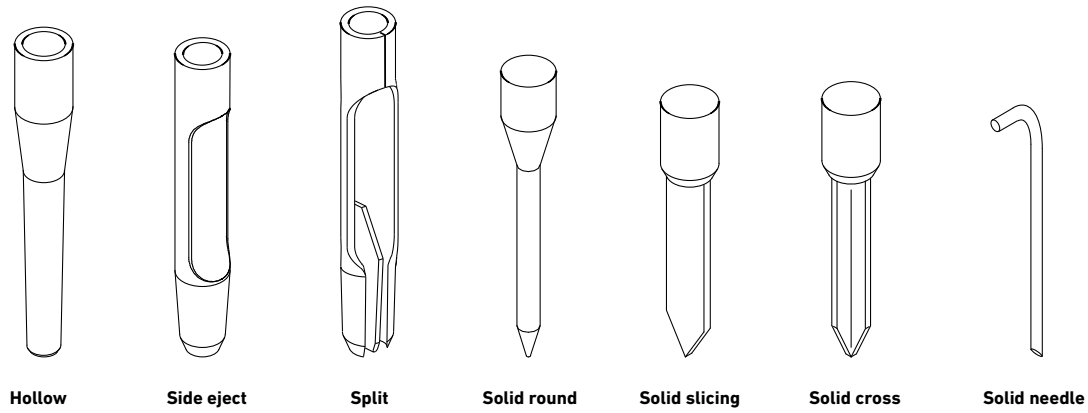


Ref. No	Part No	Description	quantity
<b>ProCore® 440/660/880 tines – 7/8" and needle mount</b>			
*	108-3847	Filter-Engine, oil (ProCore 648)	1
1	107-9531	Hydraulic filter element (648)	1
2	105-0989	Multi-Row V-belt-Primary drive (648)	A/R
2	105-0991	Multi-Row V-belt-Secondary drive (648)	A/R
2	110-4327	Multi-Row V-belt-Secondary drive (864/1298)	A/R
3	106-8871	Bearing-Ball (648)	A/R
3	110-4556	Bearing-Ball (864/1298)	A/R
4	105-0965	Bearing-Ball (648)	A/R
4	110-4555	Bearing-Ball (864/1298)	A/R
5	106-8871	Bearing-Ball (864/1298)	A/R
6	251-259	Bearing-Ball (neutral arm- 648)	2
7	110-4635	Cross and bearing kit (Shielded driveshaft - 864/1298)	2
7	110-4641	Cross and bearing kit (STD driveshaft - 864/1298)	2
8	108-2132**	Coring head bearing MVP kit (648 - 2004-2007)	A/R
	131-4876**	Coring head bearing MVP kit (648 - 2008 and on)	A/R
10	325-7	Screw-Hex HD	A/R
11	3296-19	Nut-Lock	A/R
12	140-6159	Head - Needle tine	A/R
13	108-6849-03	Clamp - Needle tine head	A/R

Ref. No	Part No	Description	quantity
14	110-4365	Order 120-1047	
14	120-1047	Turf Guard - Needle/2 x 5 mini tines short (all)	A/R
14	110-4366	Order 120-1052	A/R
	120-1052	Turf Guard - Needle/2 x 5 mini tines long (648/1298)	A/R
	120-1060	Turf Guard - Needle/2 x 5 mini tines RH (864)	A/R
14	120-1062	Turf Guard - Needle/2 x 5 mini tines LH (864)	A/R
15	325-5	Screw-Hex HD	A/R
16	105-1184	Mini tine head assembly - 2 x 5	A/R
17	108-6809	Mini tine head assembly - 1 x 6	6
18	110-4369	Order 120-1050	4
	120-1050	Turf Guard - 1 x 6 mini tines short (1298)	
18	110-4370	Order 120-1053	2
	120-1053	Turf Guard - 1 x 6 mini tines long (1298)	
	115-2801	Order 120-1063	
18	120-1063	Turf Guard - 1 x 6 mini tines RH (864)	1
18	120-1064	Turf Guard - 1 x 6 mini tines LH (864)	1
19	323-8	Screw-Hex HD	A/R
20	105-1032-03	Clamp - 4-tine head 3/4"	A/R
21	105-1045-0P	Head - 4-tine 3/4"	A/R
22	110-4361	Order 120-1045	A/R
22	120-1045	Turf Guard - 4-tine head short (648/864/1298)	A/R
22	110-4362	Order 120-1046	A/R
22	120-1046	Turf Guard - 4-tine head long (648/1298)	A/R
22	110-4363	Order 120-1059	A/R
	120-1059	Turf Guard - 4-tine head RH (864)	A/R
22	120-1060	Turf Guard - 4-tine head LH (864)	A/R

Ref. No	Part No	Description	quantity
23	105-1036-0P	Head - 3-tine 3/4"	A/R
23	108-2122-03	Order 110-4692-0P	A/R
23	110-4692-0P	Head - 3-tine 7/8"	A/R
24	105-1038-03	Clamp - 3-tine head 3/4"	A/R
24	108-2124-03	Clamp - 3-tine head 7/8"	A/R
25	110-4357	Order 120-1044	
25	120-1044	Turf Guard - 3-tine head short (648/864/1298)	A/R
25	105-1107	Order 120-1051	A/R
	120-1051	Turf Guard - 3-tine head long (648 2004 and on)	
25	110-4358	Order 120-1051	A/R
25	110-4359	Order 120-1057	A/R
	120-1057	Turf Guard - 3-tine head RH (864)	
25	110-4360	Order 120-1058	A/R
	120-1058	Turf Guard - 3-tine head LH (864)	
26	131-4888	Sleeve - Quick change tine (3/4")	A/R
26	108-6838	Order 131-4889	A/R
	131-4889	Insert-Sleeve, 22 mm (7/8")	A/R
27	114-0590-01	Tool - Quick Change tine	1
28	110-4444	Rear roller assembly (648)	1
28	110-4252-03	Rear roller assembly (864/1298)	1
*	137-1653	Arm-Idler	1
*	114-4665	Tyre ASM	3
*	114-4643	Wheel (ProCore 648)	1
*	104-8331	End-Rod, spherical	2
*	105-3249	Damper	1

Ref. No	Part No	Description	quantity
*	115-3488	Spring-Torsion	1
*	321-10	Screw-HH	4
*	32121-110	Pin-Roll, slotted	2
*	32144-4	Screw-HWH	10
*	3234-42	Screw-HHF	1
*	325-12	Screw-HH	9
*	325-13	Screw-HH	4
*	3256-28	Washer-Flat	1
*	3296-45	Nut-Lock, NI	1
*	3296-51	Nut-Lock, NI	1
*	74-1810	Washer	1
*	99-3624	Shaft-Pivot, Idler	1
*	104-8162	Battery-Dry (648)	1
*	32128-37	Nut-HF (648)	2
*	256-304	Washer-Thrust (1298)	4
*	3243-1	Screw-Set	2



Ref. No	Part No	Description quantity	
<b>ProCore® 648/864/1298 tines – 3/8" mount</b>			
<b>Quad</b>	108-9104	Titan quad, 3/8" mount (4.50" x 0.36", 0.25")	A/R
	108-9112	Titan quad max, 3/8" mount (4.50" x 0.36", 0.25")	A/R
	108-9105	Titan quad, 3/8" mount (4.50" x 0.46", 0.32")	A/R
	108-9114	Titan quad max, 3/8" mount (4.50" x 0.46", 0.32")	A/R
	108-9106	Titan quad, 3/8" mount (4.50" x 0.55", 0.41")	A/R
	108-9116	Titan quad max, 3/8" mount (4.50" x 0.58", 0.38")	A/R
	108-9293	Titan quad, 3/8" Mount (4.50" x 0.58", 0.48")	A/R
	108-9108	Order 138-5937	A/R
	138-5937	Titan quad, 3/8" mount (5.00" x 0.36", 0.25")	
	108-9120	Titan quad max, 3/8" mount (5.00" x 0.38", 0.23")	A/R
	108-9109	Order 137-6526	A/R
	137-6526	Titan quad, 3/8" mount (5.00" x 0.46", 0.32")	
	108-9122	Titan quad max, 3/8" mount (5.00" x 0.48", 0.28")	A/R
	108-9110	Order 137-6527	A/R
	137-6527	Titan quad, 3/8" mount (5.00" x 0.55", 0.41")	
	108-9124	Titan quad max, 3/8" mount (5.00" x 0.58", 0.38")	A/R
	108-9294	Order 137-6529	A/R
	137-6529	Titan quad, 3/8" mount (5.00" x 0.58", 0.48")	
	108-9290	Titan quad, 3/8" mount (5.50" x 0.55", 0.41")	A/R
	<b>Solid round</b>	108-9230	Titan solid round, 3/8" mount (4.50" x 0.20")
108-9231		Titan solid round, 3/8" mount (4.50" x 0.25")	A/R
108-9232		Titan solid round, 3/8" mount (4.50" x 0.30")	A/R
108-9233		Titan solid round, 3/8" mount (4.50" x 0.38")	A/R
108-9234		Titan solid round, 3/8" mount (5.50" x 0.20")	A/R
108-9235		Titan solid round, 3/8" mount (5.50" x 0.25")	A/R
108-9236		Titan solid round, 3/8" mount (5.50" x 0.30")	A/R
108-9237		Titan solid round, 3/8" mount (5.50" x 0.38")	A/R
<b>Solid slicing</b>	108-9238	Titan solid slicing, 3/8" mount (5.00" x 0.63")	A/R
<b>Solid cross</b>	108-9215	Titan cross, 3/8" mount (4.50" x 0.38")	A/R
	108-9216	Titan cross, 3/8" mount (4.50" x 0.50")	A/R

Ref. No	Part No	Description quantity	
	112-1310	Titan cross max, 3/8" mount (4.50" x 0.50")	A/R
	108-9217	Titan cross, 3/8" mount (4.50" x 0.62")	A/R
	108-9218	Titan cross, 3/8" mount (5.50" x 0.38")	A/R
	108-9219	Titan cross, 3/8" mount (5.50" x 0.50")	A/R
	112-1311	Titan cross max, 3/8" mount (5.50" x 0.50")	A/R
	108-9220	Titan cross, 3/8" mount (5.50" x 0.62")	A/R
<b>Hollow</b>	108-9128	Titan hollow, 3/4" mount (4.75" x 0.46", 0.28")	A/R
	108-9139	Titan hollow max, 3/4" mount (4.75" x 0.46", 0.28")	A/R
	108-9129	Titan hollow, 3/4" mount (4.75" x 0.56", 0.41")	A/R
	108-9141	Titan hollow max, 3/4" mount (4.75" x 0.56", 0.38")	A/R
	108-9130	Titan hollow, 3/4" mount (4.75" x 0.66", 0.53")	A/R
	108-9143	Titan hollow max, 3/4" mount (4.75" x 0.66", 0.48")	A/R
	108-9132	Titan hollow, 3/4" mount (5.75" x 0.46", 0.28")	A/R
	108-9133	Titan hollow, 3/4" mount (5.75" x 0.56", 0.41")	A/R
	108-9147	Titan hollow max, 3/4" mount (5.75" x 0.56", 0.38")	A/R
	108-9134	Titan hollow, 3/4" mount (5.75" x 0.66", 0.53")	A/R
	108-9149	Titan hollow max, 3/4" mount (5.75" x 0.66", 0.48")	A/R
	108-9138	Titan hollow, 3/4" mount (6.50" x 0.46", 0.28")	A/R
	108-9135	Titan hollow max, 3/4" mount (6.50" x 0.46", 0.28")	A/R
	108-9136	Titan hollow, 3/4" mount (6.50" x 0.56", 0.41")	A/R
	108-9151	Titan hollow max, 3/4" mount (6.50" x 0.56", 0.38")	A/R
	108-9137	Titan hollow, 3/4" mount (6.50" x 0.66", 0.53")	A/R
	108-9153	Titan hollow max, 3/4" mount (6.50" x 0.66", 0.48")	A/R
	114-0551	Titan hollow ext. Taper, 3/4" mount (5.75" x 0.66", 0.53")	A/R
	114-0553	Titan hollow ext. Taper max, 3/4" mount (5.75" x 0.68", 0.47")	A/R
	114-0550	Titan hollow ext. Taper, 3/4" mount (6.50" x 0.66", 0.53")	A/R
66-9140	Classic hollow, 3/4" mount (4.75" x 0.50", 0.40")	A/R	
59-3670	Classic hollow, 3/4" mount (4.75" x 0.63", 0.50")	A/R	
104-0984	Classic hollow, 3/4" mount (5.75" x 0.63", 0.51")	A/R	
105-1180	Classic hollow, 3/4" mount (6.50" x 0.66", 0.39")	A/R	

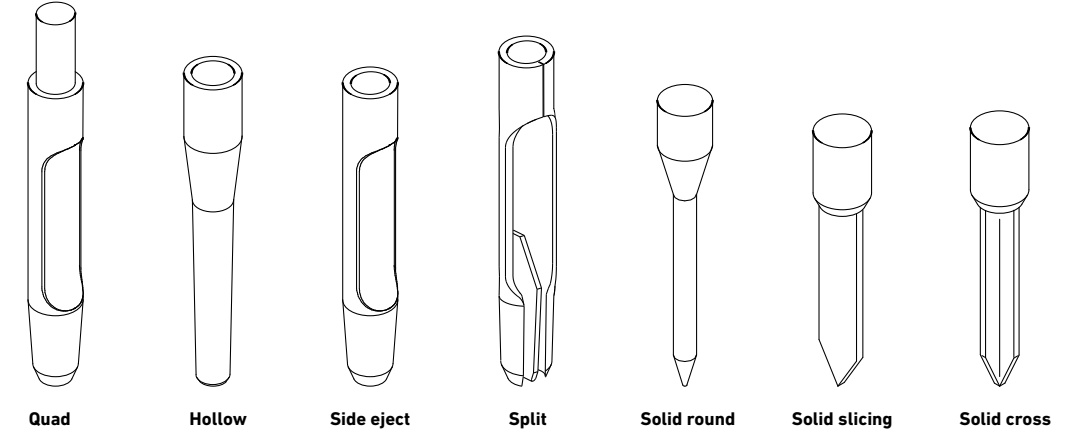
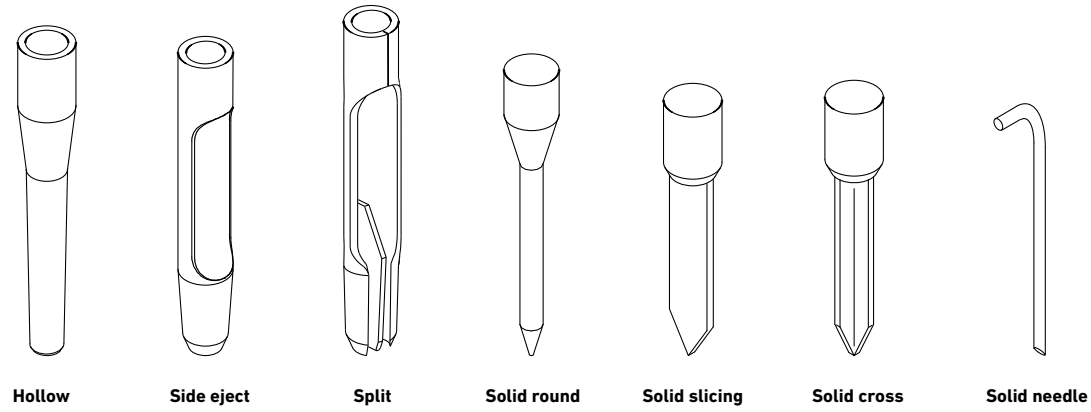
Ref. No	Part No	Description quantity	
<b>Side eject</b>	108-9159	Titan side eject, 3/4" mount (4.75" x 0.46", 0.28")	A/R
	108-9170	Titan side eject max, 3/4" mount (4.75" x 0.46", 0.28")	A/R
	108-9160	Titan side eject, 3/4" mount (4.75" x 0.56", 0.41")	A/R
	108-9172	Titan side eject max, 3/4" mount (4.75" x 0.56", 0.38")	A/R
	108-9161	Titan side eject, 3/4" mount (4.75" x 0.66", 0.53")	A/R
	108-9174	Titan side eject max, 3/4" mount (4.75" x 0.66", 0.48")	A/R
	108-9163	Titan side eject, 3/4" mount (5.75" x 0.46", 0.28")	A/R
	108-9176	Titan side eject max, 3/4" mount (5.75" x 0.46", 0.28")	A/R
	108-9164	Titan side eject, 3/4" mount (5.75" x 0.56", 0.41")	A/R
	108-9178	Titan side eject max, 3/4" mount (5.75" x 0.56", 0.38")	A/R
	108-9165	Titan side eject, 3/4" mount (5.75" x 0.66", 0.53")	A/R
	108-9180	Titan side eject max, 3/4" mount (5.75" x 0.66", 0.48")	A/R
	108-9162	Titan side eject, 3/4" mount (6.50" x 0.46", 0.28")	A/R
	108-9166	Titan side eject max, 3/4" mount (6.50" x 0.46", 0.28")	A/R
	108-9167	Titan side eject, 3/4" mount (6.50" x 0.56", 0.41")	A/R
	108-9182	Titan side eject max, 3/4" mount (6.50" x 0.56", 0.38")	A/R
	108-9168	Titan side eject, 3/4" mount (6.50" x 0.66", 0.53")	A/R
	108-9184	Titan side eject max, 3/4" mount (6.50" x 0.66", 0.48")	A/R
	114-0555	Titan side eject ext. Taper, 3/4" mount (5.75" x 0.66", 0.53")	A/R
	114-0557	Titan side eject ext. Taper max, 3/4" mount (5.75" x 0.66", 0.47")	A/R
114-0558	Titan side eject ext. Taper, 3/4" mount (6.50" x 0.66", 0.53")	A/R	
114-0560	Titan side eject ext. Taper max, 3/4" mount (6.50" x 0.66", 0.47")	A/R	
108-9260	HD Fairway, 3/4" mount (5.75" x 0.77", 0.51")	A/R	
108-9261	HD Fairway, 3/4" mount (5.75" x 0.88", 0.51")	A/R	
104-9876	Fairway, 3/4" mount (5.75" x 0.77", 0.51")	A/R	
104-9875	Fairway, 3/4" mount (5.75" x 0.88", 0.51")	A/R	

Ref. No	Part No	Description quantity	
<b>Hollow</b>	112-5122	Titan split, 3/4" mount (5.75" x 0.88", 0.51")	A/R
	77-5320	Titan solid round, 3/4" mount (3.25" x 0.313")	A/R
<b>Solid round</b>	108-9198	Titan solid round, 3/4" mount (4.50" x 0.25")	A/R
	108-9199	Titan solid round, 3/4" mount (4.50" x 0.30")	A/R
	108-9200	Titan solid round, 3/4" mount (4.50" x 0.35")	A/R
	108-9201	Titan solid round, 3/4" mount (4.50" x 0.40")	A/R
	108-9202	Titan solid round, 3/4" mount (4.50" x 0.50")	A/R
	108-9203	Titan solid round, 3/4" mount (4.50" x 0.60")	A/R
	108-9204	Titan solid round, 3/4" mount (5.50" x 0.25")	A/R
	108-9205	Titan solid round, 3/4" mount (5.50" x 0.30")	A/R
	108-9206	Titan solid round, 3/4" mount (5.50" x 0.35")	A/R
	108-9207	Titan solid round, 3/4" mount (5.50" x 0.40")	A/R
	108-9208	Titan solid round, 3/4" mount (5.50" x 0.50")	A/R
	108-9209	Titan solid round, 3/4" mount (5.50" x 0.60")	A/R
	108-9244	Titan solid round, 3/4" mount (5.50" x 0.75")	A/R
	108-9210	Titan solid round, 3/4" mount (6.50" x 0.30")	A/R
	108-9211	Titan solid round, 3/4" mount (6.50" x 0.35")	A/R
	108-9212	Titan solid round, 3/4" mount (6.50" x 0.40")	A/R
	108-9213	Titan solid round, 3/4" mount (6.50" x 0.50")	A/R
	108-9214	Titan solid round, 3/4" mount (6.50" x 0.60")	A/R
	108-9245	Titan solid round, 3/4" mount (6.50" x 0.75")	A/R
	<b>Solid slicing</b>	108-9239	Titan solid slicing, 3/4" mount (4.50" x 0.75")
108-9240		Titan solid slicing, 3/4" mount (5.50" x 0.75")	A/R
108-9241		Titan solid slicing, 3/4" mount (6.50" x 0.75")	A/R
<b>Solid cross</b>	108-9221	Titan cross, 3/8" mount (4.50" x 0.50")	A/R
	108-9223	Titan cross, 3/8" mount (4.50" x 0.75")	A/R
	108-9224	Titan cross, 3/8" mount (5.50" x 0.50")	A/R
	112-1313	Titan cross max, 3/8" mount (5.50" x 0.50")	A/R
	108-9226	Titan cross, 3/8" mount (5.50" x 0.75")	A/R
	108-9227	Titan cross, 3/8" mount (6.50" x 0.50")	A/R
	112-1314	Titan cross max, 3/4" Mount (6.50" x 0.50")	A/R
	108-9228	Titan cross, 3/8" mount (6.50" x 0.62")	A/R
	108-9229	Titan cross, 3/8" mount (6.50" x 0.75")	A/R



**QUICK REFERENCE GUIDE**  
TINES

**QUICK REFERENCE GUIDE**  
TINES

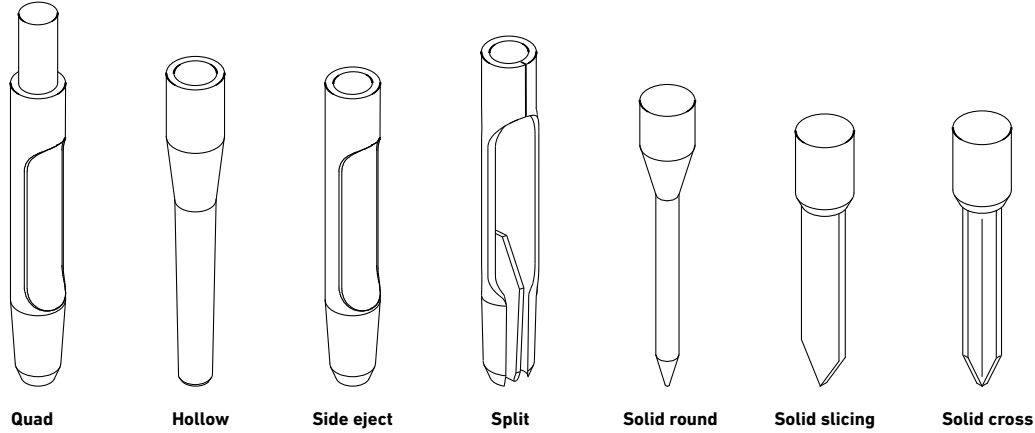


Ref. No	Part No	Description	quantity
<b>ProCore® 648/864/1298 tines – 7/8" and needle mount</b>			
<b>Hollow</b>	108-9190	Titan hollow, 3/8" mount (4.75" x 0.66", 0.51")	A/R
	108-9191	Titan hollow, 3/8" mount (4.75" x 0.76", 0.63")	A/R
	108-9192	Titan hollow, 3/8" mount (5.75" x 0.66", 0.51")	A/R
	108-9193	Titan hollow, 3/8" mount (5.75" x 0.76", 0.63")	A/R
	62-4600	Classic hollow, 3/8" mount (4.75" x 0.75", 0.60")	A/R
	86-9720	Classic hollow, 3/8" mount (5.75" x 0.75", 0.60")	A/R
	<b>Side eject</b>	108-9194	Titan side eject, 3/8" mount (4.75" x 0.66", 0.51")
108-9195		Titan side eject, 3/8" mount (4.75" x 0.76", 0.63")	A/R
108-9196		Titan side eject, 3/8" mount (5.75" x 0.66", 0.51")	A/R
108-9188		Titan side eject max, 3/8" mount (5.75" x 0.66", 0.48")	A/R
108-9197		Titan side eject, 3/8" mount (5.75" x 0.76", 0.63")	A/R
108-9264		Titan HD Fairway, 3/8" mount (5.75" x 0.88", 0.64")	A/R
108-9265		Titan HD Fairway, 3/8" mount (5.75" x 1.0", 0.64")	A/R
92-7900		Fairway, 3/8" mount (5.75" x 0.88", 0.64")	A/R
104-9877		Fairway, 3/8" mount (5.75" x 1.0", 0.64")	A/R

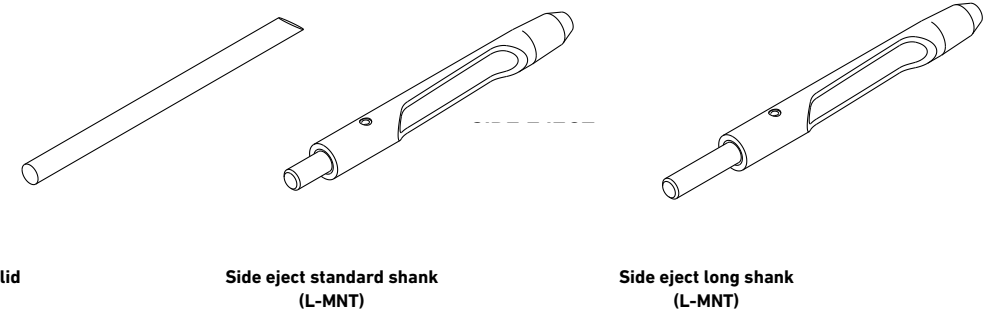
Ref. No	Part No	Description	quantity
<b>Split</b>	112-5121	Titan split, 3/8" mount (5.75" x 0.88", 0.64")	A/R
	112-5123	Titan split, 3/4" mount (5.75" x 0.92", 0.64")	A/R
<b>Solid round</b>	108-9246	Titan solid round, 3/8" mount (5.50" x 0.75")	A/R
	108-9247	Titan solid round, 3/8" mount (5.50" x 0.88")	A/R
	108-9248	Titan solid round, 3/8" mount (6.50" x 0.75")	A/R
	108-9249	Titan solid round, 3/8" mount (6.50" x 0.88")	A/R
	108-9242	Titan solid slicing, 3/8" mount (5.50" x 0.75")	A/R
<b>Solid slicing</b>	108-9243	Titan solid slicing, 3/8" mount (6.50" x 0.75")	A/R
	108-9259	Titan cross, 3/8" mount (5.50" x 0.88")	A/R
<b>Solid cross</b>	108-9242	Titan solid slicing, 3/8" mount (5.50" x 0.75")	A/R
	108-9243	Titan solid slicing, 3/8" mount (6.50" x 0.75")	A/R
	100-3620*	Titan solid needle (6.43" x 0.188")	A/R
	100-3621*	Titan solid needle (7.38" x 0.313")	A/R

Ref. No	Part No	Description	quantity
<b>Tines for competitive models – 1/2" &amp; 5/8" mount</b>			
<b>Quad</b>	112-1316	Titan quad 1/2" (4.5" x 0.46", 0.32")	A/R
	112-1322	Titan max quad 1/2" (4.5" x 0.480")	A/R
<b>Solid round</b>	112-1347	Titan solid round 1/2" (4.50" x 0.500")	A/R
	112-1329	Titan solid round 1/2" (5.50" x 0.250")	A/R
<b>Solid slicing</b>	112-5102	Titan solid slicing 3/8" (5.00" x 0.625") (incl 1.27 cm (1/2" sleeve))	A/R
	112-1300	Order 114-0583	
	114-0583	Sleeve - 1/2" (for 3/8" tines)	A/R
<b>Quad</b>	112-1332	Titan quad 5/8" (4.5" x 0.458")	A/R
<b>Side eject</b>	112-1303	Titan side eject 5/8" (4.50" x 0.560")	A/R
<b>Side round</b>	112-1348	Titan solid round 5/8" (4.50" x 0.625")	A/R
<b>Side round</b>	112-1348	Titan solid round 5/8" (4.50" x 0.625")	A/R

**QUICK REFERENCE GUIDE**  
TINES



**QUICK REFERENCE GUIDE**  
TINES

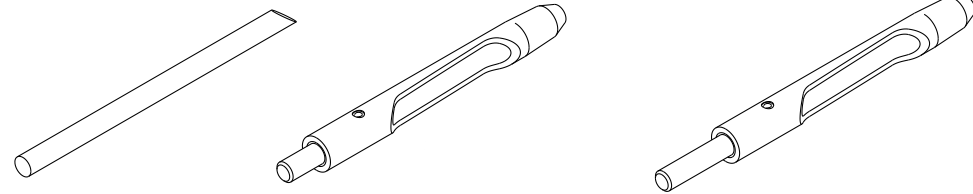


Ref. No	Part No	Description	quantity
<b>ProCore® SR series</b>			
1	117-7190	Adapter head kit - 10 5/16" tines per head	A/R
1	117-7192	Adapter head kit - 8 3/8" tines per head	A/R
2	117-7191	Adapter head kit - 10 x 0.472" tines per head	A/R
3	117-7193	Adapter head kit - 6 5/16" or 6 3/8" tines per head	A/R
4	117-7194	Adapter head kit - 2 x 0.709" tines per head	A/R
5	117-7195	Adapter head kit - 2 5/16" or 2 x 0.472" tines per head	A/R
6	117-7196	Adapter head kit - 4 5/16" or 4 3/8" tines per head	A/R
7	117-7199	Adapter head kit - 8 3/8" tines per head	A/R
8	117-7198	Adapter head kit - 4 x 0.476" or 3 x 0.709" tines per head	A/R
9	SGA10375	Adapter sleeve - 5/16" tine to 12 mm hole (MNT)	A/R
10	SGA08313	Adapter sleeve - 5/16" tine to 12 mm hole (L-MNT)	A/R
10	SGA12375	Adapter sleeve - 3/8" tine to 12 mm hole (L-MNT)	A/R
11	SG715802	Adapter sleeve - 0.709" tine to 7/8" hole (L-MNT)	A/R
12	SG148160	Wire and spring assembly (SR72)	12
13	SG481512	Spring-Compression (SR72)	12
14	SG482016	Leading wire - Draw bar (SR72)	24
14	SG482017	Trailing wire - Draw bar (SR72)	12
12	SG487054	Wire and spring assembly (SR54)	6
13	SG481512	Spring-Compression (SR54)	6
14	SG487255	Wire - Draw bar (SR54)	18
12	SG148154	Spring and wire assembly (SR54-S)	12

Ref. No	Part No	Description	quantity
13	SG487257	Spring-Compression (SR54-S)	12
14	SG487256	Wire-Draw bar (SR54-S)	36
13	SG481512	Spring-Compression (SR70)	8
14	SG487255	Wire - Draw bar (SR70)	24
12	SG148154	Spring and wire assembly (SR70-S)	16
13	SG487257	Spring-Compression (SR70-S)	16
14	SG487256	Wire-Draw Bar (SR70-S)	48
12	SG148160	Wire and spring assembly (SR72)	12
13	SG481512	Spring-Compression (SR72)	12
14	SG482016	Leading wire - Draw bar (SR72)	24
14	SG482017	Trailing wire - Draw bar (SR72)	12
12	SG487278	Spring and wire assembly (SR75 HD)	12
13	SG487275	Spring-Compression (SR75 HD)	12
14	SG487277	Leading wire - Draw bar (SR75 HD)	24
14	SG487276	Trailing wire - Draw bar (SR75 HD)	12
	324-8	Screw-HH	4
	3296-51	Nut-Lock, Ni	2

Ref. No	Part No	Description	quantity
<b>ProCore® SR series tines</b>			
<b>Solid</b>			
	SGS07313	Tine - 5/16" x 8.50" (5/16" MNT)	
	SGS08313	Tine - 5/16" x 10" (5/16" MNT)	
	SGS08375	Tine - 3/8" x 9.00" (3/8" MNT)	
	SGS10374	Tine - 3/8" x 10.75" (3/8" MNT)	
	SGS10375	Tine - 3/8" x 12.25" (3/8" MNT)	
	SGS08500	Tine - 0.476" x 8.00" (12 mm MNT)	
	SGS10504	Tine - 0.476" x 10.75" (12 mm MNT)	
	SGS10500	Tine - 0.476" x 12.25" (12 mm MNT)	
	SGS12500	Tine - 0.476" x 14.25" (12 mm MNT)	
	SGS14500	Tine - 0.476" x 16.25" (12 mm MNT)	
	SGS10750	Tine - 0.709" x 12.25" (18 mm MNT)	
	SGS12750	Tine - 0.709" x 14.25" (18 mm MNT)	
	SGS14750	Tine - 0.709" x 16.25" (18 mm MNT)	
	SGS10875	Tine - 7/8" x 12.50" (18 mm MNT)	
	SGS12875	Tine - 7/8" x 14.00" (18 mm MNT)	
	SGS14875	Tine - 7/8" x 16.00" (18 mm MNT)	
	SGS10876	Tine - 7/8" x 12.50" (7/8" MNT)	
	SGS12876	Tine - 7/8" x 14.00" (7/8" MNT)	
	SGS16100	Tine - 1" x 17.88" (7/8" MNT)	

Ref. No	Part No	Description	quantity
	139-8618	Tine assembly - 0.500" x 5.5" (3/8" MNT)	
<b>Side eject standard shank</b>			
	SGT05550	Tube assembly - 0.500" x 5.5"	
	139-8616	Tine assembly - 0.687" x 7.0" (12 mm MNT)	
	139-8625	Tine assembly - 0.813" x 7.0" (12 mm MNT)	
	SGT07750	Tube assembly - 0.813 x 7.0"	
	139-8620	Tine assembly - 0.750" x 10.0" (12 mm MNT)	
	SGT10750	Tube assembly - 0.750 x 10.0"	
	SGC08123	Tine assembly - 1.31" x 8.0" (7/8" MNT)	
	SGT08125	Tube assembly - 1.31 x 8.0"	
	SGC12123	Tine assembly - 1.31" x 12.0" (7/8" MNT)	
	SGT12125	Tube assembly - 1.31" x 12.0"	
<b>Side eject long shank</b>			
	139-8614	Tine assembly - 0.687" x 7.0" (12 mm L-MNT)	
	SGC07750	Tine assembly - 0.813" x 7.0" (12 mm L-MNT)	
	SGT07750	Tube assembly - 0.813 x 7.0"	
	SGC10755	Tine assembly - 0.750" x 10.0" (12 mm L-MNT)	
	SGT10750	Tube assembly - 0.750" x 10.0"	
	139-8613	Tine assembly - 0.810" x 10.0" (12 mm L-MNT)	
	117-7020	Tube assembly - 0.810 x 10.0"	
	139-8623	Tine assembly - 0.750" x 10.0" (18 mm L-MNT)	
	SGT10750	Tube assembly - 0.750" x 10.0"	
	139-8628	Tine assembly - 1.06" x 8.0" (18 mm L-MNT)	
	117-7021	Tube assembly - 1.06" x 8.0"	
	139-8617	Tine assembly - 1.06" x 10.0" (18 mm L-MNT)	
	139-8619	Tine assembly - 1.00" x 10.0" (18 mm L-MNT)	
	SGC08125	Tine assembly - 1.31" x 8.0" (18 mm L-MNT)	
	SGT08125	Tube assembly - 1.31" x 8.0"	
	SGC12125	Tine assembly - 1.31" x 12.0" (18 mm L-MNT)	
	SGT12125	Tube assembly - 1.31" x 12.0"	



**Solid**

**Side eject standard shank (L-MNT)**

**Side eject long shank (L-MNT)**

Ref. No	Part No	Description	SR48	SR54	SR54-S	SR70	SR70-S	SR72	SR75-HD
<b>English/International aerators ProCore SR tines</b>									
<b>Solid</b>	SGS07313	Tine - 5/16" x 8.50" (5/16" MNT)	x	x	x	x	x	x	
	SGS08313	Tine - 5/16" x 10" (5/16" MNT)	x	x	x	x	x	x	
	SGS08375	Tine - 3/8" x 9.00" (3/8" MNT)	x	x		x		x	
	SGS10374	Tine - 3/8" x 10.75" (3/8" MNT)	x	x		x		x	
	SGS10375	Tine - 3/8" x 12.25" (3/8" MNT)	x			x		x	
	SGS08500	Tine - 0.476" x 8.00" (12 mm MNT)	x	x	x	x	x	x	
	SGS10504	Tine - 0.476" x 10.75" (12 mm MNT)	x	x	x		x	x	
	SGS10500	Tine - 0.476" x 12.25" (12 mm MNT)	x					x	
	SGS12500	Tine - 0.476" x 14.25" (12 mm MNT)	x					x	
	SGS14500	Tine - 0.476" x 16.25" (12 mm MNT)	x					x	
	SGS10750	Tine - 0.709" x 12.25" (18 mm MNT)	x					x	x
	SGS12750	Tine - 0.709" x 14.25" (18 mm MNT)	x					x	x
	SGS14750	Tine - 0.709" x 16.25" (18 mm MNT)	x					x	x
	SGS10875	Tine - 7/8" x 12.50" (18 mm MNT)	x					x	x
	SGS12875	Tine - 7/8" x 14.00" (18 mm MNT)	x					x	x
	SGS14875	Tine - 7/8" x 16.00" (18 mm MNT)	x					x	x
	SGS10876	Tine - 7/8" x 12.50" (7/8" MNT)							x
	SGS12876	Tine - 7/8" x 14.00" (7/8" MNT)							x
	SGS16100	Tine - 1" x 17.88" (7/8" MNT)							x
<b>Side eject standard shank</b>	139-8618	Tine Assy - 0.500" x 5.5" (3/8" MNT)		x		x			
	SGT05550	Tine Assy - 0.500" x 5.5"		x		x			
	139-8616	Tine Assy - 0.687" x 7.0" (12 mm MNT)		x	x	x	x		
	139-8625	Tine Assy - 0.813" x 7.0" (12 mm MNT)		x	x	x	x		
	SGT07750	Tine Assy - 0.813" x 7.0"		x	x	x	x		
	139-8620	Tine Assy - 0.750" x 10.0" (12 mm MNT)		x	x	x	x		
	SGT10750	Tine Assy - 0.750" x 10.0"		x	x	x	x		
	SGC08123	Tine Assy - 1.31" x 8.0" (7/8" MNT)							x
	SGT08125	Tine Assy - 1.31" x 8.0"							x
	SGC12123	Tine Assy - 1.31" x 12.0" (7/8" MNT)							x
	SGT12125	Tine Assy - 1.31" x 12.0"							x

Ref. No	Part No	Description	SR48	SR54	SR54-S	SR70	SR70-S	SR72	SR75-HD
<b>Side eject long shank</b>	139-8614	Tine Assy - 0.687" x 7.0" (12 mm L-MNT)	x					x	
	SGC07750	Tine Assy - 0.813" x 7.0" (12 mm L-MNT)	x					x	
	SGT07750	Tine Assy - 0.813" x 7.0"	x					x	
	SGC10755	Tine Assy - 0.750" x 10.0" (12 mm L-MNT)	x					x	
	SGT10750	Tine Assy - 0.750" x 10.0"	x					x	
	139-8613	Tine Assy - 0.810" x 10.0" (12 mm L-MNT)	x					x	
	117-7020	Tine Assy - 0.810" x 10.0"	x					x	
	139-8623	Tine Assy - 0.750" x 10.0" (18 mm L-MNT)	x					x	x
	SGT10750	Tine Assy - 0.750" x 10.0"	x					x	x
	139-8628	Tine Assy - 1.06" x 8.0" (18 mm L-MNT)	x					x	x
	117-7021	Tine Assy - 1.06" x 8.0"	x					x	x
	139-8617	Tine Assy - 1.06" x 10.0" (18 mm L-MNT)	x					x	x
	139-8619	Tine Assy - 1.00" x 10.0" (18 mm L-MNT)	x					x	x
	SGC08125	Tine Assy - 1.31" x 8.0" (18 mm L-MNT)	x					x	x
	SGT08125	Tine Assy - 1.31" x 8.0"	x					x	x
	SGC12125	Tine Assy - 1.31" x 12.0" (18 mm L-MNT)	x					x	x
	SGT12125	Tine Assy - 1.31" x 12.0"	x					x	x



## QUICK REFERENCE GUIDE TYRES

Equipment	Description	Tread	Application	Part No
<b>Groundsmaster® Walkers</b>				
<b>Transport wheel kit</b>	Tyre (12 x 3.25-6) 4-ply	Block	-	65-7940
<b>TransPro 80/100 trailer</b>	Tyre (20 x 10-8) 4-ply	Turf Mate	-	99-4506
<b>Groundsmaster® Riders</b>				
<b>Greensmaster 3/300</b>	Tyre (18 x 9.5-8) 2-ply	Smooth	Front and rear	28-3680
<b>Greensmaster 3000</b>	Tyre (18 x 9.5-8) 2-ply	Smooth	Front and rear	28-3680
	Tyre (18 x 8.5-8) 4-ply	Turf traction	Front and rear	119-3516
<b>Greensmaster 3000D</b>	Tyre (18 x 9.5-8) 2-ply	Smooth	Front and rear	28-3680
	Tyre (18 x 8.5-8) 4-ply	Turf traction	Front and rear	119-3516
	Tyre (19 x 10.5-8) 2-ply	Traction	Front and rear	70-8500
<b>Greensmaster 3050/3100/3150/3200</b>	Tyre (18 x 9.5-8) 2-ply	Smooth	Front and rear	28-3680
	Tyre (18 x 8.5-8) 4-ply	Turf traction	Front and rear	119-3516
<b>Greensmaster 3200D</b>	Tyre (18 x 9.5-8) 2-ply	Smooth	Front and rear	28-3680
<b>Greensmaster 3250D</b>	Tyre (19 x 10.5-8) 2-ply	Smooth	Front and rear	70-8500
	Tyre (20 x 10-8) 4-ply	Turf Mate	Front and rear	99-4506
<b>Greensmaster 3300/3400</b>	Tyre (19 x 10.5-8) 4-ply	Smooth	Front and rear	120-2783
<b>Reelmaster®</b>				
<b>Reelmaster 216/216D</b>	Tyre (18 x 8.5-8) 4-ply	Turf traction	Front	119-3516
	Tyre (18 x 6.5-8) 4-ply (2WD)	Turf traction	Rear	231-122
<b>Reelmaster 2000D/2300D/2600D</b>	Tyre (20 x 10-8) 4-ply	Turf Mate	Front and rear	99-4506
<b>Reelmaster 3100D</b>	Tyre (20 x 12-10) 4-ply	Turf Trac R/S	Front	117-5125
	Tyre (20 x 10-10) 4-ply	Turf Trac R/S	Front and rear	115-1572
<b>Reelmaster 3100D (2010-current)</b>	Tyre (20 x 12-10) 4-ply	Turf traction	Front	117-5125
	Tyre (20 x 10-10) 4-ply	Turf traction	Rear	115-1572
<b>Reelmaster 223D</b>	Tyre (26 x 12-12) 4-ply	Turf traction	Front	231-134
<b>Reelmaster 5100D/5300D</b>	Tyre (26 x 12-12) 4-ply	Turf traction	Front	231-134
<b>Reelmaster 5200D/5400D</b>	Tyre (26 x 12-12) 4-ply	Turf traction	Front	231-134
	Tyre (26.5 x 14-12) 2-ply	Ultra Trac	Front	117-5196
	Tyre (20 x 10-10) 6-ply	Turf traction	Rear	86-5910
<b>Reelmaster 5500D</b>	Tyre (26.5 x 14-12) 2-ply	Ultra Trac	Front	117-5196
	Tyre (20 x 10-10) 6-ply	Turf traction	Rear	86-5910
<b>Reelmaster 5210</b>	Tyre (24 x 13-12) 6-ply (2006-mid 2008)	Ultra Trac	Front	110-5132
	Tyre (24 x 13-12) 4-ply (mid-2008 and on)	Ultra Trac	Front	95-2638
	Tyre (20 x 10-10) 6-ply (2006)	Turf traction	Rear	86-5910
	Tyre (20 x 10-10) 4-ply (2007 and on)	Turf Trac R/S	Rear	115-1572
<b>Reelmaster 5010-H/5410/5510/5610</b>	Tyre (26.5 x 14-12) 2-ply	Ultra Trac	Front	117-5196
	Tyre (20 x 12-10) 4-ply	Turf Trac R/S	Rear	117-5125
	Tyre (20 x 12-10) 4-ply	Smooth	Rear	127-2796
	Tyre (26.5 x 14-12) 4-ply	Smooth	Front	133-2940
<b>Reelmaster 6500D/6700D</b>	Tyre (29 x 14-15) 6-ply	Ultra Trac	Front	95-3465
	Tyre (29 x 14-15) 6-ply	Ultra Trac	Front	95-3465
	Tyre (20 x 10-10) 6-ply	Turf traction	Rear	86-5910

## QUICK REFERENCE GUIDE TYRES

Equipment	Description	Tread	Application	Part No
<b>Reelmaster 450D/4500D</b>	Tyre (31 x 13.5-15) 4-ply	Turf traction	Front	63-4480
	Tyre (23 x 10.5-12) 6-ply	Turf traction	Rear	69-9880
<b>Reelmaster 335D</b>	Tyre (23 x 10.5-12) 6-ply	Turf traction	Front	69-9880
	Tyre (20 x 8-10) 6-ply	Turf traction	Rear	74-5560
<b>Reelmaster 3500D</b>	Tyre (20 x 10-10) 6-ply	Turf traction	Rear	86-5910
<b>Reelmaster 3550D/3555/3575</b>	Tyre (22 x 12-12) 4-ply	Smooth	Front and rear	120-2114
	Tyre (22 x 12-12) 4-ply	Turf traction	Front and rear	121-7924
<b>Reelmaster 4000D</b>	Tyre (31 x 13.5-15) 4-ply	Turf traction	Front	63-4480
	Tyre (23 x 10.5-12) 6-ply	Turf traction	Rear	69-9880
<b>Reelmaster 7000D</b>	Tyre (20 x 12-10) 4-ply	Turf traction	Rear	117-5125
	Tyre (31 x 13.5-15) 4-ply	Turf traction	Front	63-4480
<b>Gangmower</b>				
<b>Reelmaster transport frame</b>	Tyre (11-15) 6-ply	Ribbed	-	56-7960
<b>Reelmaster Reel</b>	Tyre (16 x 4-12) semi-pneumatic	Chevron	-	12-9390
	Tyre (16 x 4.8-8) 2-ply pneumatic	Stud	-	231-3
	Tyre (18 x 4-12) semi-pneumatic	Chevron	-	51-2550
	Tyre (18 x 4-12) semi-pneumatic	Chevron	-	51-2550
<b>Groundsmaster®</b>				
<b>Groundsmaster 52/62/220</b>	Tyre (20 x 8-10) 4-ply	Turf traction	Front	231-103
<b>Groundsmaster 220D</b>	Tyre (23 x 8.5-12) 4-ply	Turf traction	Front	231-101
	Tyre (23 x 10.5-12) 4-ply - Wide wheel opt.	Turf Saver	Front	231-95*
	Tyre (16 x 6.5-8) 4-ply ribbed (2WD)	Ribbed	Rear	231-105
<b>Groundsmaster 223D</b>	Tyre (23 x 8.5-12) 4-ply (Standard)	Turf traction	Front	231-101
	Tyre (23 x 10.5-12) 4-ply - Wide wheel opt.	Turf Saver	Front	231-95*
	Tyre (23 x 10.5-12) 6-ply - Wide wheel opt.	Turf traction	Front	69-9880*
	Tyre (16 x 6.5-8) 4-ply ribbed (2WD)	Ribbed	Rear	231-105
	Tyre (18 x 6.5-8) 4-ply (4WD)	Turf traction	Rear	231-122
<b>Groundsmaster 224/225</b>	Tyre (23 x 8.5-12) 4-ply (224 standard)	Turf traction	Front	231-101
	Tyre (23 x 8.5-12) 4-ply (225 standard)	Turf traction	Front	95-3348
	Tyre (23 x 10.5-12) 4-ply - Wide wheel opt.	Turf Saver	Front	231-95*
	Tyre (23 x 10.5-12) 6-ply - Wide wheel opt.	Turf traction	Front	69-9880*
	Tyre (16 x 6.5-8) 4-ply	Ribbed	Rear	231-105
<b>Groundsmaster 228D</b>	Tyre (23 x 8.5-12) 4-ply (standard)	Turf traction	Front	95-3348
	Tyre (23 x 8.5-12) 6-ply	Turf traction	Front	138-8242
	Tyre (16 x 6.5-8) 4-ply (2WD)	Ribbed	Rear	231-105
	Tyre (18 x 6.5-8) 4-ply (4WD)	Turf traction	Rear	231-122
	<b>Groundsmaster 322D/325D</b>	Tyre (23 x 8.5-12) 4-ply (standard)	Turf traction	Front
Tyre (23 x 8.5-12) 6-ply		Turf traction	Front	138-8242
Tyre (23 x 10.5-12) 4-ply - Wide wheel opt.		Turf Saver	Front	231-95*
Tyre (23 x 10.5-12) 6-ply - Wide wheel opt.		Turf traction	Front	69-9880*
Tyre (16 x 6.5-8) 4-ply ribbed (2WD)		Ribbed	Rear	231-105
Tyre (18 x 6.5 - 8) 4-ply (4WD)		Turf traction	Rear	231-122

**QUICK REFERENCE GUIDE**  
**TYRES**

Equipment	Description	Tread	Application	Part No
<b>Groundsmaster 327</b>	Tyre (23 x 8.5-12) 4-ply (standard)	Turf traction	Front	231-101
	Tyre (23 x 10.5-12) 4-ply - Wide wheel opt.	Turf Saver	Front	231-95*
	Tyre (23 x 10.5-12) 6-ply - Wide wheel opt.	Turf traction	Front	69-9880*
	Tyre (16 x 6.5-8) 4-ply	Ribbed	Rear	231-105
<b>Groundsmaster 328D</b>	Tyre (23 x 8.5-12) 4-ply (standard)	Turf traction	Front	95-3348
	Tyre (23 x 10.5-12) 4-ply - Wide wheel opt.	Turf Saver	Front	231-95*
	Tyre (23 x 10.5-12) 6-ply - Wide wheel opt.	Turf traction	Front	69-9880*
	Tyre (16 x 6.5-8) 4-ply (2WD)	Ribbed	Rear	231-105
	Tyre (18 x 6.5-8) 4-ply (4WD)	Turf traction	Rear	231-122
<b>Groundsmaster 345</b>	Tyre (23 x 8.5-12) 4-ply (standard)	Turf traction	Front	95-3348
	Tyre (23 x 10.5-12) 4-ply - Wide wheel opt.	Turf Saver	Front	231-95*
	Tyre (23 x 10.5-12) 6-ply - Wide wheel opt.	Turf traction	Front	69-9880*
	Tyre (16 x 6.5-8) 4-ply	Ribbed	Rear	231-105
<b>Groundsmaster 360</b>	Tyre (23 x 10.5-12) 6-ply	Turf Trac	Front and rear	121-9072
<b>Groundsmaster 455D</b>	Tyre (26 x 12-12) 6-ply	Multi Trac C/S	Front	126-8033
	Tyre (20 x 10-10) 6-ply	Turf traction	Rear	86-5910
	Tyre (20 x 10-10) 6-ply	Multi Trac C/S	Rear	94-5236
	Tyre (16 x 6.5-8) 4-ply	Ribbed	Rear	231-105
<b>Groundsmaster 580D</b>	Tyre (31 x 13.5-15) 8-ply (standard)	Turf traction	Front	69-9800
	Tyre (23 x 10.5-12) 6-ply	Turf traction	Rear	69-9880
<b>Groundsmaster 3000/3000D</b>	Tyre (25 x 10.5-15) 6-ply	Turf Trac R/S	Front	93-5431
	Tyre (26.5 x 14-12) 2-ply - Wide wheel opt.	Ultra Trac	Front	117-5196
	Tyre (24 x 13-12) 4-ply	Ultra Trac	Front	95-2638
	Tyre (20 x 8-10) 6-ply	Turf traction	Rear	74-5560
	Tyre (18 x 8.5-10) 4-ply	Multi Trac C/S	Rear	95-2625
<b>Groundsmaster 3500D/3505D</b>	Tyre (20 x 12-10) 4-ply	Turf Trac R/S	Front	117-5125
	Tyre (20 x 10-10) 4-ply	Turf Trac R/S	Rear	115-1572
<b>Groundsmaster 3280D</b>	Tyre (23 x 9.5-12) 4-ply	Multi Trac C/S	Front	117-0823
	Tyre (23 x 10.5-12) 4-ply - Wide wheel opt.	Turf Saver	Front	231-95
	Tyre (23 x 10.5-12) 6-ply - Wide wheel opt.	Turf traction	Front	69-9880
	Tyre (16 x 6.5-8) 4-ply (2WD)	Ribbed	Rear	231-105
	Tyre (18 x 6.5-8) 4-ply (4WD)	Turf traction	Rear	231-122
<b>Groundsmaster 3320</b>	Tyre (23 x 9.5-12) 4-ply	Multi Trac C/S	Front	117-0823
	Tyre (23 x 10.5 - 12) 4-ply - Wide wheel opt.	Turf Saver	Front	231-95
	Tyre (23 x 10.5 - 12) 6-ply - Wide wheel opt.	Turf traction	Front	69-9880
	Tyre (16 x 6.5-8) 4-ply	Ribbed	Rear	231-105
<b>Groundsmaster 4000D/4100D</b>	Tyre (26 x 12-12) 6-ply	Multi Trac C/S	Front	126-8033
	Tyre (20 x 10-10) 6-ply	Multi Trac C/S	Rear	94-5236
	Tyre (26 x 12-12) 6-ply	Multi Trac C/S	Front	119-8313
	Tyre (26 x 12-12) 6-ply	High traction	Front	136-4442
	Tyre (20 x 10-10) 6-ply	High traction	Rear	136-4440
<b>Groundsmaster 4300D</b>	Tyre (26.5 x 14-12) 2-ply	Ultra Trac	Front	117-5196
	Tyre (20 x 12-10) 4-ply	Turf Trac R/S	Rear	117-5125

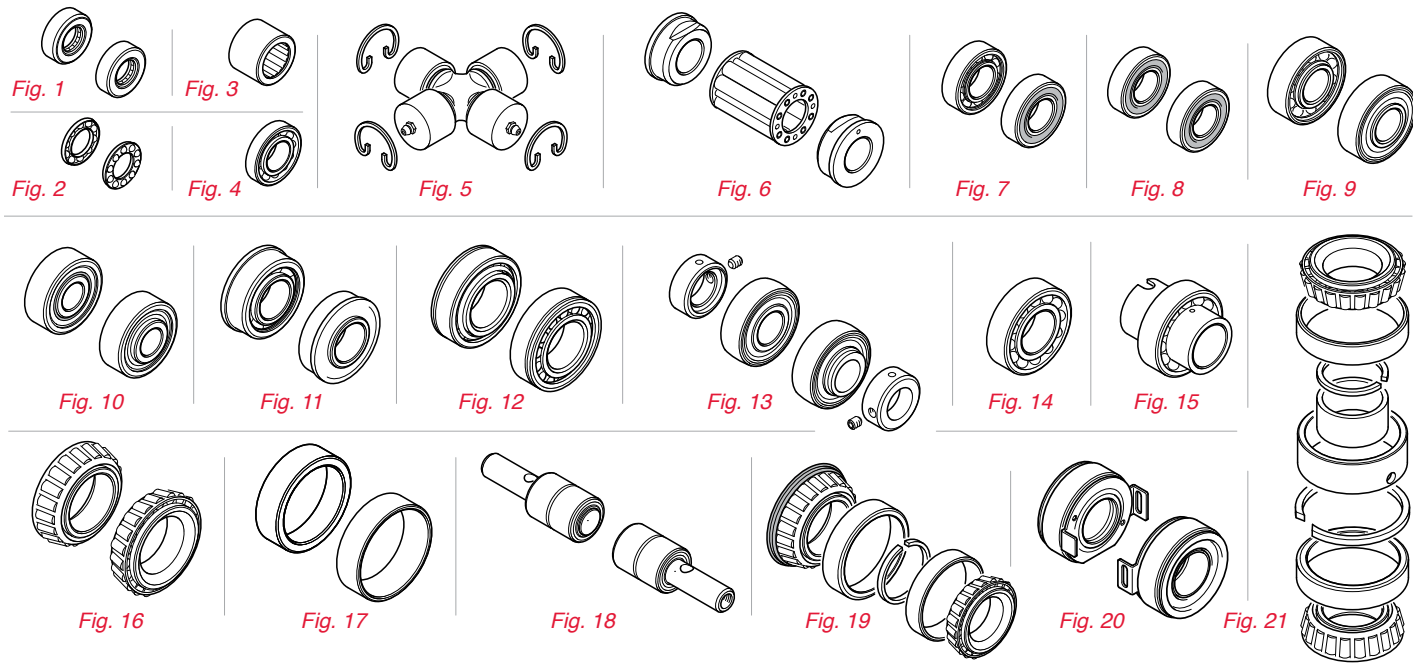
**QUICK REFERENCE GUIDE**  
**TYRES**

Equipment	Description	Tread	Application	Part No
<b>Groundsmaster 4500D/4700D</b>	Tyre (29 x 14-15) 6-ply	Ultra Trac	Front	95-3465
	Tyre (20 x 12-10) 4-ply	Turf Trac R/S	Rear	117-5125
	Tyre (29 x 14-15) 6-ply	Turf	Front	119-0023
<b>Groundsmaster 5900/5910</b>	Tyre (29 x 12.5-15) 10-ply	Multi Trac C/S	Front	114-4861
	Tyre (23 x 10.5-12) 6-ply	Multi Trac C/S	Rear	121-9072
	TYRE			131-2382
<b>Groundsmaster 7200/7210</b>	Tyre (24 x 12-12) 6-ply	Lug	Rear	103-6771
	TYRE			133-4724
<b>Aerator</b>				
<b>Hydroject 3000/3010</b>	Tyre (18 x 9.5-8) 2-ply	Smooth	Front	28-3680
	Tyre (18 x 9.5-8) 2-ply	Smooth	Rear	28-3680
<b>Hydroject 4000 (tongue hitch)</b>	Tyre (16 x 6.5-8) 4-ply	Ribbed	-	231-105*
<b>Hydrotote trailer</b>	Tyre (15 x 6-6) 2-ply	Ribbed	-	108-9955
<b>ProCore 648 Aerator</b>	Tyre (19 x 10.5-8) 2-ply	Traction	Front	70-8500
	Tyre (19 x 10.5-8) 2-ply	Traction	Rear	70-8500*
<b>ProCore Processor</b>	Tyre (18 x 9.5-8) 6-ply	Turf traction	-	114-7741*
<b>Workman*</b>				
<b>Workman 1100</b>	Tyre (20 x 10-8) 4-ply (2001-2003)	Turf Trac R/S	Front	99-7300
	Tyre (22 x 9.5-10) 4-ply (2004-2005)	Multi Trac C/S	Front and rear	127-7435
	Tyre (22.5 x 10-8) 4-ply (2001-2003)	Turf Trac R/S	Rear	108-7007
<b>Workman MD/MDE</b>	Tyre (22 x 9.5-10) 4-ply	Multi Trac C/S	Front and rear	127-7435*
<b>Workman 2100</b>	Tyre (22 x 9.5-10) 4-ply (2004-2005)	Multi Trac C/S	Front and rear	127-7435*
	Tyre (22.5 x 10-8) 4-ply (1999-2003)	Turf Trac R/S	Front and rear	108-7007
<b>Workman 2110</b>	Tyre (22 x 9.5-10) 4-ply	Turf Trac R/S	Front	104-7064
	Tyre (24 x 12-10) 4-ply	Turf Trac R/S	Rear	131-6667
	Tyre (24 x 12-10) 4-ply	Turf Trac R/S	Rear	131-6667
	Tyre (22 x 9.5-10) 4-ply	Multi Trac C/S	Front and rear	127-7435
	Tyre (22.5 x 10-8) 4-ply	Turf Trac R/S	Front and rear	108-7007
<b>Workman GTX</b>	Tyre (20.75 x 8-10) 4-ply	Standard	Front and rear	131-8318
	Tyre (20 x 8.00-10)			139-4475*
<b>Workman MDX</b>	Tyre (22 x 9.5-10) 4-ply	Multi Trac C/S	Front	127-7435*
	Tyre (24 x 12-10) 4-ply	Turf Trac R/S	Rear	131-6667
	Tyre-Front, K299			136-1126
	Tyre-Rear, K299			136-1127
<b>Workman 3000/4000 series</b>	Tyre (20 x 10-10) 4-ply	Ribbed	Front	94-5261
	Tyre (20 x 10-10) 6-ply (4WD)	Multi Trac C/S	Front	94-5236
	Tyre (20 x 10-10) 4-ply	Turf Trac	Front	112-3163
	Tyre (23 x 10.5-12) 4-ply	Turf Trac R/S	Rear	87-3290
	Tyre (24 x 13-12) 6-ply (1993-2001)	Ultra Trac	Rear	110-5132





**QUICK REFERENCE GUIDE**  
**BEARINGS**



Equipment	Application	Fig. No	Component	Year	Description	Part No
<b>Greensmaster® Walker</b>						
<b>Greensmaster 800/1000/1600/2000/2600</b>	Cutting unit	14	Reel	All	Ball bearing assembly - Dual row	251-342
		19	Front roller	All	Bearing and shaft assembly	52-3180
		7	Groomer reel shaft	All	Ball bearing assembly - Outer seal only	251-327
		7	Groomer drive belt idler	All	Ball bearing assembly - Outer seal only	251-328
		7	Reel drive clutch housing	1993 and on	Ball bearing assembly - Outer seal only	251-318
	Traction unit	8	Reel drive clutch	All	Ball bearing assembly - Sealed	251-336
		14	Countershaft support	All	Ball bearing assembly - Dual row	251-338
		8	Idler pulleys	All	Ball bearing assembly - Sealed	38-7820
		14	Drum drive shaft	All	Ball bearing assembly - Dual row	251-338
		7	Drum spindle/Hub	1990-1999	Ball bearing assembly - Outer seal only	251-257
<b>Greensmaster Flex 1800/2100</b>	Cutting unit	14	Reel	All	Ball bearing assembly - Dual row	251-342
		8	Roller	All	Ball bearing assembly - Sealed	251-347
		8	Groomer drive belt idler	All	Ball bearing assembly - Sealed	251-259
		*	Groomer drive	All	Bearing - RH reverse Groomer	106-4237
<b>eFlex 1800/2100</b>	Traction unit	8	Reel drive shaft	All	Ball bearing assembly - Sealed	251-336
		13	Drum drive shaft	2001-2004	Ball bearing - Self-aligning w/collar	104-0538
		13	Drum drive shaft	2005 and on	Ball bearing - Self-aligning w/collar	106-8448
		8	Drum spindle/Hub	All	Ball bearing assembly - Sealed	251-82
<b>Trans Pro 80/100</b>	Trailer	16	Wheel - Inner/Outer bearing	All	Roller bearing assembly - Tapered cone	254-92
		17	Wheel - Inner/Outer bearing	All	Bearing race - Tapered cup	254-72

**QUICK REFERENCE GUIDE**  
**BEARINGS**

Equipment	Application	Fig. No	Component	Year	Description	Part No	
<b>Greensmaster® Riders</b>							
<b>Greensmaster 3300 Style cutting units*</b>	4-bolt	18	Front roller	1974 and on	Bearing and shaft assembly	21-6410	
		19	Rear roller	1974 and on	Bearing and shaft assembly	52-3180	
	Spiker	18	Front and rear rollers	1974 and on	Bearing and shaft assembly	21-6410	
		4 Bolt and SPA	16	Reel	All	Roller bearing assembly - Tapered cone	254-94
	Groomer	17	Reel	All	Bearing race - Tapered cup	254-72	
		2	Reel adjustment knob	1985-1986	Thrust bearing cage assembly	257-6	
		19	Front and rear rollers	All	Bearing and shaft assembly	52-3180	
		7	Roller brush rear roller kit	All	Ball bearing assembly - Outer seal only	85-9970	
		7	Groomer reel drive	All	Ball bearing assembly - Outer seal only	251-327	
		7	Groomer drive shaft	All	Ball bearing assembly - Outer seal only	251-327	
7		Groomer drive belt idler	All	Ball bearing assembly - Outer seal only	251-328		
Spiker	19	Front and rear rollers	1985-1992	Bearing and shaft assembly	52-3180		
<b>Greensmaster 3200 Style cutting units*</b>	4-Bolt and SPA	14	Reel	1995-2000	Ball bearing assembly - Dual row	93-2489	
		9	Front roller	All	Ball bearing assembly - Outer seal only	93-2559	
	Groomer	18	Wiehle front roller	All	Bearing and shaft assembly	75-1290	
		9	Rear roller	1995-1998	Ball bearing assembly - Outer seal only	93-2559	
		7	Rear roller	1999-2000	Ball bearing assembly - Outer seal only	85-9970	
		13	Rear roller brush shaft	All	Ball bearing - Self-aligning w/collar	98-5208	
		4	Rear roller brush drive shaft	All	Ball bearing assembly - Single row	98-5215	
		14	Groomer reel drive	All	Ball bearing assembly - Single row	251-336	
		8	Groomer drive shaft	All	Ball bearing assembly - Sealed	95-0707	
	Dethatcher	7	Groomer drive belt idler	All	Ball bearing assembly - Outer seal only	38-7820	
		7	Front roller	1997 and on	Ball bearing assembly - Outer seal only	85-9970	
		Spiker	9	Rear roller	All	Ball bearing assembly - Outer seal only	93-2559
		Tri-Roller	9	Rear roller	All	Ball bearing assembly - Outer seal only	93-2559
		<b>Greensmaster 3050 Style cutting units*</b>	4-Bolt and SPA	14	Reel	2001	Ball bearing assembly - Dual row
14	Reel			2002-2003	Ball bearing assembly - Dual row	105-3827	
Groomer	19		Front roller	All	Bearing and shaft assembly	52-3180	
	7		Rear roller	All	Ball bearing assembly - Outer seal only	85-9970	
	13		Rear roller brush shaft	All	Ball bearing - Self-aligning w/collar	98-5208	
	4		Rear roller brush drive shaft	All	Ball bearing assembly - Single row	98-5215	
	14		Groomer reel	All	Ball bearing assembly - Single row	95-0707	
Spiker	8		Groomer drive shaft	All	Ball bearing assembly - Sealed	251-336	
	7		Groomer drive belt idler	All	Ball bearing assembly - Outer seal only	38-7820	
	9		Rear roller	All	Ball bearing assembly - Outer seal only	93-2559	
Tri-Roller	9	Rear roller	All	Ball bearing assembly - Outer seal only	93-2559		
<b>Greensmaster DPA cutting units*</b>	DPA	14	Reel	2003-2006	Ball bearing assembly - Dual row	93-2489	
		8	Roller	All	Ball bearing assembly - Sealed	251-347	
	DPA	13	Rear roller brush shaft	All	Ball bearing - Self-aligning w/collar	132-6979	
		8	Roller brush drive belt idler	All	Ball bearing assembly - Sealed	251-259	
		8	Groomer drive belt idler	All	Ball bearing assembly - Sealed	251-259	

\*Greensmaster cutting units can be attached to a variety of Greensmaster traction units. Use the Greensmaster cutting unit reference chart to help recognise cutting units by name.

**QUICK REFERENCE GUIDE**  
**BEARINGS**

Equipment	Application	Fig. No	Component	Year	Description	Part No			
<b>Greensmaster 300</b>	Traction unit	9	Pull frame roller	All	Ball bearing assembly - Outer seal only	133-2378			
		16	Rear wheel	All	Roller bearing assembly - Tapered cone	254-78			
		17	Rear wheel	All	Bearing race - Tapered cup	254-79			
<b>Greensmaster 3000/3000D</b>	Traction unit	9	Pull frame roller	All	Ball bearing assembly - Outer seal only	133-2378			
		16	Rear wheel	All	Roller bearing assembly - Tapered cone	254-78			
		17	Rear wheel	All	Bearing race - Tapered cup	254-79			
<b>Greensmaster 3050</b>	Traction unit	9	Pull frame roller	All	Ball bearing assembly - Outer seal only	133-2378			
		16	Rear wheel	All	Roller bearing assembly - Tapered cone	254-78			
		17	Rear wheel	All	Bearing race - Tapered cup	254-79			
<b>Greensmaster 3100D</b>	Traction unit	9	Pull frame roller	All	Ball bearing assembly - Outer seal only	133-2378			
		16	2WD rear wheel	All	Roller bearing assembly - Tapered cone	254-78			
		17	2WD rear wheel	All	Bearing race - Tapered cup	254-79			
<b>Greensmaster 3150</b>	Traction unit	9	Pull frame roller	All	Ball bearing assembly - Outer seal only	133-2378			
		8	Neutral centring device	All	Ball bearing assembly - Sealed	251-259			
		8	Traction function lever	All	Ball bearing assembly - Sealed	251-259			
		16	Rear wheel	All	Roller bearing assembly - Tapered cone	254-78			
		17	Rear wheel	All	Bearing race - Tapered cup	254-79			
<b>Greensmaster 3200/3200D</b>	Traction unit	8	Neutral arm	All	Ball bearing assembly - Sealed	251-259			
		8	Traction function lever	All	Ball bearing assembly - Sealed	251-259			
		16	Rear wheel	All	Roller bearing assembly - Tapered cone	254-78			
		17	Rear wheel	All	Bearing race - Tapered cup	254-79			
<b>Greensmaster 3250D</b>	Traction unit	8	Neutral centring device	All	Ball bearing assembly - Sealed	251-259			
		8	Traction function lever	All	Ball bearing assembly - Sealed	251-259			
		16	Rear wheel	All	Roller bearing assembly - Tapered cone	254-78			
		17	Rear wheel	All	Bearing race - Tapered cup	254-79			
		8	Neutral centring device	All	Ball bearing assembly - Sealed	251-259			
<b>Greensmaster 3300/3320/3400/3420</b>	Cutting unit	8	Rear rollers	All	Ball bearing assembly - Sealed	251-347			
		*	Groomer drive	All	Bearing - RH reverse Groomer	106-4237			
	Traction unit	8	Neutral centring device	All	Ball bearing assembly - Sealed	251-259			
17		Rear wheel	All	Bearing race - Tapered cup	254-72				
<b>Reelmaster®</b>	<b>Reelmaster 216/216D</b>	Cutting unit	16	Rear wheel	All	Roller bearing assembly - Tapered cone	254-94		
			13	Reel	1987-1988	Ball bearing assembly - Self Aligning	71-1360		
			13	Reel	1989 and on	Ball bearing assembly - Self Aligning	251-331		
			2	Reel adjustment knob	All	Thrust bearing cage assembly	257-6		
			17	Front and rear rollers	All	Bearing race - Tapered cup	254-79		
		Traction unit	16	Front and rear rollers	All	Roller bearing assembly - Tapered cone	254-78		
			8	Neutral centring device	All	Ball bearing assembly - Sealed	251-259		
			11	2WD rear wheel	All	Ball bearing assembly - Flanged	251-321		
			<b>Grounds Pro 2000/2000D</b>	Cutting unit	13	Reel	All	Ball bearing assembly - Self Aligning	251-331
					2	Reel adjustment knob	All	Thrust bearing cage assembly	257-6
16	Front and rear rollers	All			Roller bearing assembly - Tapered cone	254-78			
Traction unit	17	Front and rear rollers		All	Bearing race - Tapered cup	254-79			
	8	Neutral centring device		All	Ball bearing assembly - Sealed	251-259			
11	3-wheeled axle - Rear wheel	All	Ball bearing assembly - Flanged	251-321					

**QUICK REFERENCE GUIDE**  
**BEARINGS**

Equipment	Application	Fig. No	Component	Year	Description	Part No		
<b>Reelmaster 2000D</b>	Cutting units	13	Reel	All	Ball bearing assembly - Self Aligning	100-4926		
		17	Front and rear rollers	All	Bearing race - Tapered cup	254-79		
		16	Front and rear rollers	All	Roller bearing assembly - Tapered cone	254-78		
	Traction unit	8	69 cm (27") Verticut - Roller	All	Ball bearing assembly - Sealed	251-347		
		8	Neutral centring device	All	Ball bearing assembly - Sealed	251-259		
		16	Rear wheel - Inner/Outer	All	Roller bearing assembly - Tapered cone	254-94		
		17	Rear wheel - Inner/Outer	All	Bearing race - Tapered cup	254-72		
<b>Reelmaster 2300D/2600D</b>	Cutting units	13	Reel	All	Ball bearing assembly - Self Aligning	88-7880		
		2	Reel adjust	All	Thrust bearing cage assembly	257-6		
		16	Front and rear rollers	All	Roller bearing assembly - Tapered cone	254-78		
	Traction unit	17	Front and rear rollers	All	Bearing race - Tapered cup	254-79		
		8	Neutral centring device	All	Ball bearing assembly - Sealed	251-259		
<b>Reelmaster 3100D</b>	Cutting units	11	2WD rear wheel	All	Ball bearing assembly - Flanged	251-321		
		13	Reel	All	Ball bearing assembly - Self Aligning	100-4926		
		17	Front and rear rollers	All	Bearing race - Tapered cup	254-79		
		16	Front and rear rollers	All	Roller bearing assembly - Tapered cone	254-78		
		8	69 cm (27") Verticut - Roller	All	Ball bearing assembly - Sealed	251-347		
	Traction unit	8	Neutral centring device	All	Ball bearing assembly - Sealed	251-259		
		8	Traction pedal	All	Ball bearing assembly - Sealed	251-259		
		<b>Reelmaster 223D/5100D/5300D</b>	Cutting unit	16	Reel	All	Roller bearing assembly - Tapered cone	254-94
				17	Reel	All	Bearing race - Tapered cup	254-72
				18	Front roller	All	Bearing and shaft assembly	75-1290
19	Rear roller			1990-1991	Bearing and shaft assembly	52-3180		
7	Rear roller			All	Ball bearing assembly - Outer seal only	85-9970		
Traction unit	13		Rear roller brush shaft	All	Ball bearing - Self-aligning w/collar	98-5208		
	8		Rear roller brush drive shaft	All	Ball bearing assembly - Sealed	251-336		
	8		Roller brush drive belt idler	All	Ball bearing assembly - Sealed	251-259		
	18		Dethatcher-Rollers	All	Bearing and shaft assembly	75-1290		
	8		Compensating carrier frame	All	Ball bearing assembly - Sealed	251-259		
Traction unit	8	Neutral centring device	All	Ball bearing assembly - Sealed	251-259			
	7	Cooling fan shaft	All	Ball bearing assembly - Outer seal only	251-318			
	12	Front axle-Outer bearing	All	Roller bearing assembly	21-8180			
	16	2WD rear wheel - In/Out	All	Roller bearing assembly - Tapered cone	254-94			
	17	2WD rear wheel - In/Out	All	Bearing race - Tapered cup	254-72			
8	4WD rear axle knuckle	All	Ball bearing assembly - Sealed	251-347				

**QUICK REFERENCE GUIDE**  
**BEARINGS**

Equipment	Application	Fig. No	Component	Year	Description	Part No	
<b>Reelmaster 5200D/5400D</b>	Cutting unit	16	Reel	All	Roller bearing assembly - Tapered cone	254-94	
		17	Reel	All	Bearing race - Tapered cup	254-72	
		18	Front and rear roller	1998-2001	Bearing and shaft assembly	75-1290	
		7	Front and rear roller	2001-2006	Ball bearing assembly - Outer seal only	109966	
		13	Roller brush shaft	All	Ball bearing - Self-aligning w/collar	132-6979	
		4	Roller brush drive shaft	All	Ball bearing assembly - Single row	98-5215	
		8	Roller brush drive belt idler	All	Ball bearing assembly - Sealed	251-259	
		18	Dethatcher-Rollers	All	Bearing and shaft assembly	75-1290	
	Traction unit	8	Compensating carrier frame	All	Ball bearing assembly - Sealed	251-259	
		8	Neutral centring device	All	Ball bearing assembly - Sealed	251-259	
		7	Cooling fan shaft	All	Ball bearing assembly - Outer seal only	251-318	
		12	Front axle-Outer bearing	All	Roller bearing assembly	21-8180	
		16	2WD rear wheel - In/Out	All	Roller bearing assembly - Tapered cone	254-94	
		17	2WD rear wheel - In/Out	All	Bearing race - Tapered cup	254-72	
		8	4WD rear axle knuckle	1998-1999	Ball bearing assembly - Sealed	251-347	
		<b>Reelmaster 5010-H/5210/5410/5510/5610</b>	Cutting unit	14	Reel	All	Ball bearing assembly - Dual row
	7			Front and rear roller	2006-2007	Ball bearing assembly - Outer seal only	109966
7	Front and rear roller			2008 and on	Ball bearing assembly - Outer seal only	112-5290	
9	Roller brush drive shaft			All	Ball bearing assembly - Outer seal only	93-2559	
14	Roller brush shaft			All	Ball bearing assembly - Single row	95-0707	
9	Groomer drive shaft			All	Ball bearing assembly - Outer seal only	93-2559	
Traction unit	14		Groomer reel	All	Ball bearing assembly - Single row	95-0707	
	16		2WD rear wheel - In/Out	All	Roller bearing assembly - Tapered cone	254-94	
	17		2WD rear wheel - In/Out	All	Bearing race - Tapered cup	254-72	
	7		Pedal assembly	All	Bearing-Mount, flange	256-236	
<b>Reelmaster 5500D</b>	Cutting units	14	Reel	All	Ball bearing assembly - Dual row	93-2489	
		7	Roller	All	Ball bearing assembly - Outer seal only	109966	
		13	Roller brush shaft	All	Ball bearing - Self-aligning w/collar	132-6979	
		4	Roller brush drive shaft	All	Ball bearing assembly - Single row	98-5215	
		8	Roller brush drive belt idler	All	Ball bearing assembly - Sealed	251-259	
		14	Groomer reel	All	Ball bearing assembly - Single row	95-0707	
		8	Dethatcher-Roller	All	Ball bearing assembly - Sealed	251-347	
		Traction unit	8	Neutral centring device	All	Ball bearing assembly - Sealed	251-259
	7		Cooling fan shaft	All	Ball bearing assembly - Outer seal only	251-318	
	12		Front axle-Outer bearing	All	Roller bearing assembly	21-8180	
	16		2WD rear wheel - In/Out	All	Roller bearing assembly - Tapered cone	254-94	
	17		2WD rear wheel - In/Out	All	Bearing race - Tapered cup	254-72	

**QUICK REFERENCE GUIDE**  
**BEARINGS**

Equipment	Application	Fig. No	Component	Year	Description	Part No	
<b>Reelmaster 6500D/6700D</b>	SPA cutting units	14	Reel	All	Ball bearing assembly - Dual row	93-2489	
		7	Roller	All	Ball bearing assembly - Outer seal only	109966	
		13	Roller brush shaft	All	Ball bearing - Self-aligning w/collar	132-6979	
		4	Roller brush drive shaft	All	Ball bearing assembly - Single row	98-5215	
		8	Roller brush drive belt idler	All	Ball bearing assembly - Sealed	251-259	
		14	Groomer reel	All	Ball bearing assembly - Single row	95-0707	
		8	Dethatcher-Roller	All	Ball bearing assembly - Sealed	251-347	
		*	Rear roller bearing	All	Bearing - Rear roller brush	106-4237	
		DPA cutting units	14	Reel	All	Ball bearing assembly - Dual row	93-2489
			7	Front and rear roller	2007	Ball bearing assembly - Outer seal only	109966
	7		Front and rear roller	2008 and on	Ball bearing assembly - Outer seal only	112-5290	
	9		Roller brush drive shaft	All	Ball bearing assembly - Outer seal only	93-2559	
	14		Roller brush shaft	All	Ball bearing assembly - Single row	95-0707	
	9		Groomer drive shaft	All	Ball bearing assembly - Outer seal only	93-2559	
	14		Groomer reel	All	Ball bearing assembly - Single row	95-0707	
	<b>Reelmaster 450D</b>	Cutting unit	15	Reel	All	Ball bearing assembly - Dual row ext. Race	59-6140
			2	Reel adjust	1986-1989	Thrust bearing cage assembly	257-6
16			Front and rear rollers	All	Roller bearing assembly - Tapered cone	254-78	
17			Front and rear rollers	All	Bearing race - Tapered cup	254-79	
15			Dethatcher-Reel	All	Ball bearing assembly - Dual row ext. Race	59-6140	
Traction unit			16	2WD rear wheel - Inner	1991 and on	Roller bearing assembly - Tapered cone	254-106
			17	2WD rear wheel - Inner	1991 and on	Bearing race - Tapered cup	254-107
		16	2WD rear wheel - Outer	1991 and on	Roller bearing assembly - Tapered cone	254-92	
<b>Reelmaster 335D</b>		Cutting unit	15	Reel	All	Ball bearing assembly - Dual row ext. Race	59-6140
			16	Front and rear rollers	All	Roller bearing assembly - Tapered cone	254-78
	17		Front and rear rollers	All	Bearing race - Tapered cup	254-79	
	15		Dethatcher-Reel	All	Ball bearing assembly - Dual row ext. Race	59-6140	
	Traction unit		8	Neutral centring device	All	Ball bearing assembly - Sealed	251-259
			16	2WD rear wheel - In/Out	All	Roller bearing assembly - Tapered cone	254-94
		17	2WD rear wheel - In/Out	All	Bearing race - Tapered cup	254-72	
		<b>Reelmaster 3500D</b>	Cutting unit	15	Reel	All	Ball bearing assembly - Dual row ext. Race
	16			Front and rear rollers	All	Roller bearing assembly - Tapered cone	254-78
	17			Front and rear rollers	All	Bearing race - Tapered cup	254-79
15	Dethatcher-Reel			All	Ball bearing assembly - Dual row ext. Race	59-6140	
<b>Reelmaster 3500D</b>	Traction unit	8	Neutral centring device	All	Ball bearing assembly - Sealed	251-259	
		16	2WD rear wheel - Inner	All	Roller bearing assembly - Tapered cone	254-106	
		17	2WD rear wheel - Inner	All	Bearing race - Tapered cup	254-107	
		16	2WD rear wheel - Outer	All	Roller bearing assembly - Tapered cone	254-92	
		17	2WD rear wheel - Outer	All	Bearing race - Tapered cup	254-72	



**QUICK REFERENCE GUIDE**  
**BEARINGS**

Equipment	Application	Fig. No	Component	Year	Description	Part No
<b>Reelmaster 3550D</b>	Cutting unit	8	Front and rear roller	3013	Bearing-Sealed	140-5510
		7	Front and rear roller	3013	Bearing-Stainless steel	112-5290
	Traction unit	8	Traction control ASM	2013	Ball bearing	251-259
			Hydraulic pump ASM	2013	Bearing-Cup	104-4046
			Hydraulic pump ASM	2013	Bearing-Cone	98-4639
			Hydraulic pump ASM	2013	Bearing-Thrust	252-66
<b>Reelmaster 4000D</b>	Cutting unit	15	Reel	All	Ball bearing assembly - Dual row ext. Race	59-6140
		16	Front and rear rollers	All	Roller bearing assembly - Tapered cone	254-78
<b>Reelmaster 4500D</b>	Cutting unit	17	Front and rear rollers	All	Bearing race - Tapered cup	254-79
		15	Dethatcher-Reel	All	Ball bearing assembly - Dual row ext. Race	59-6140
	Traction unit	16	2WD rear wheel - Inner	All	Roller bearing assembly - Tapered cone	254-106
		17	2WD rear wheel - Inner	All	Bearing race - Tapered cup	254-107
		16	2WD rear wheel - Outer	All	Roller bearing assembly - Tapered cone	254-92
	17	2WD rear wheel - Outer	All	Bearing race - Tapered cup	254-72	
<b>Reelmaster 7000D</b>	Cutting unit	14	Reel	All	Ball bearing assembly - Dual row	93-2489
		7	Rear roller	All	Ball bearing assembly - Outer seal only	112-5290
<b>Reelmaster transport frame</b>	Traction unit	16	Wheel	All	Roller bearing assembly - Tapered cone	254-62
		17	Wheel	All	Bearing race - Tapered cup	115-9471
	Cutting unit	16	Reel	All	Roller bearing assembly - Tapered cone	254-94
		17	Reel	All	Bearing race - Tapered cup	254-72
		2	Reel adjustment knob	All	Thrust bearing cage assembly	257-6
		16	Drive wheel gear hub	All	Roller bearing assembly - Tapered cone	254-78
		17	Drive wheel gear hub	All	Bearing race - Tapered cup	254-79
		3	Idler pinion gear	All	Needle bearing assembly	252-6
		16	Rear roller	All	Roller bearing assembly - Tapered cone	254-78
		17	Rear roller	All	Bearing race - Tapered cup	254-79

**QUICK REFERENCE GUIDE**  
**BEARINGS**

Equipment	Application	Fig. No	Component	Year	Description	Part No	
<b>Groundsmaster®</b>							
<b>Groundsmaster 52/62</b>	Traction unit	8	Neutral centring device	All	Ball bearing assembly - Sealed	251-259	
		3	Steering pivot arm-Front	All	Needle bearing assembly	252-6	
		12	Front axle-Outer bearing	All	Roller bearing assembly	21-8180	
<b>Groundsmaster 72</b>	Deck	7	Blade spindle	1973-1977	Ball bearing assembly - Outer seal only	251-257	
	Traction unit	8	Neutral centring device	All	Ball bearing assembly - Sealed	251-259	
		13	Engine output shaft support	All	Ball bearing - Self-aligning w/collar	251-252	
		13	PTO shaft support	All	Ball bearing - Self-aligning w/collar	251-252	
		12	Front axle-Outer bearing	All	Roller bearing assembly	21-8180	
<b>Groundsmaster 200 series</b>	132 cm (52")/ 157 cm (62") RD/SD	6	Front castor wheel	1989 and on	Roller bearing cage assembly	62-5570	
		6	Front castor wheel	1989 and on	Bearing-Flange	62-5580	
		183 cm/72" SD deck	6	Front castor wheel	1989 and on	Roller bearing cage assembly	62-5570
			6	Front castor wheel	1989 and on	Bearing-Flange	62-5580
			6	Rear castor wheel	1998 and on	Roller bearing cage assembly	63-8580
			6	Rear castor wheel	1998 and on	Bearing-Flange	62-5580
	157 cm/62" Guardian	6	Front and rear castor wheel	All	Roller bearing cage assembly	83-4740	
		6	Front and rear castor wheel	All	Bearing-Flange	62-5580	
		Debris Blower	6	Castor wheel	All	Roller bearing cage assembly	62-5570
	6		Castor wheel	All	Bearing-Flange	62-5580	
	Traction unit		8	Neutral centring device	All	Ball bearing assembly - Sealed	251-259
		12	Front axle-Outer bearing	All	Roller bearing assembly	21-8180	
		16	2WD rear wheel - In/Out	All	Roller bearing assembly - Tapered cone	254-94	
		17	2WD rear wheel - In/Out	All	Bearing race - Tapered cup	254-72	
		8	4WD rear axle knuckle	1993-1999	Ball bearing assembly - Sealed	251-347	
<b>Groundsmaster 300 series</b>	183 cm/72" RD/SD	21	Blade spindle	All	Bearing and spacer set	49-8320	
		6	Front castor wheel	1988-1991	Roller bearing cage assembly	62-5570	
		6	Front castor wheel	1992 and on	Roller bearing cage assembly	83-4740	
		6	Front castor wheel	1988 and on	Bearing-Flange	62-5580	
		6	Rear castor wheel	1988 and on	Roller bearing cage assembly	63-8580	
		6	Rear castor wheel	1988 and on	Bearing-Flange	62-5580	
		10	Foam filled castor wheel	All	Ball bearing assembly - Sealed	120-5378	
		11	10" segmented castor wheel	All	Ball bearing assembly - Flanged	251-321	

**QUICK REFERENCE GUIDE**  
**BEARINGS**

Equipment	Application	Fig. No	Component	Year	Description	Part No	
<b>Groundsmaster 300 series</b>	183 cm/72" Guardian	21	Blade spindle	All	Bearing and spacer set	71-2530	
		6	Front and rear castor wheel	All	Roller bearing cage assembly	83-4740	
		6	Front and rear castor wheel	All	Bearing-Flange	62-5580	
		10	Foam filler castor wheel	All	Ball bearing assembly - Sealed	120-5378	
		11	10" segmented castor wheel	All	Ball bearing assembly - Flanged	251-321	
		21	Blade spindle	All	Bearing and spacer set	71-2530	
	183 cm/72" Flex	6	Castor wheel	All	Roller bearing cage assembly	62-5570	
		6	Castor wheel	All	Bearing-Flange	62-5580	
		10	Foam filler castor wheel	All	Ball bearing assembly - Sealed	120-5378	
		11	25 cm segmented castor wheel	All	Ball bearing assembly - Flanged	251-321	
		224 cm/88" TriFlex	6	Front castor wheel	1988-1990	Roller bearing cage assembly	62-5570
			6	Front castor wheel	1991-1994	Roller bearing cage assembly	83-4740
	6		Front castor wheel	All	Bearing-Flange	62-5580	
	6		Rear castor wheel	All	Roller bearing cage assembly	63-8580	
	6		Rear castor wheel	All	Bearing-Flange	62-5580	
	10		Foam filler castor wheel	All	Ball bearing assembly - Sealed	120-5378	
	Debris Blower	11	25 cm segmented castor wheel	All	Ball bearing assembly - Flanged	251-321	
		6	Castor wheel	All	Roller bearing cage assembly	83-4740	
		6	Castor wheel	All	Bearing-Flange	62-5580	
		Traction unit	13	Engine output shaft support	All	Ball bearing - Self-aligning w/collar	251-252
			13	PTO shaft support	All	Ball bearing - Self-aligning w/collar	251-252
			8	Neutral centring device	All	Ball bearing assembly - Sealed	251-259
	12		Front axle-Outer bearing	All	Roller bearing assembly	21-8180	
	16		2WD rear wheel - In/Out	All	Roller bearing assembly - Tapered cone	254-94	
	17		2WD rear wheel - In/Out	All	Bearing race - Tapered cup	254-72	
	<b>Groundsmaster 360</b>	Traction unit	8	4WD rear axle knuckle	1991-1998	Ball bearing assembly - Sealed	251-347
			17	2WD wheel motor and spindle assembly	All	Bearing race - Tapered cup	254-72
<b>Groundsmaster 455D</b>	320 cm/126" Quadfloat	16	2WD wheel motor and spindle assembly	All	Roller bearing assembly - Tapered cone	254-92	
		21	Blade spindle	All	Bearing and spacer set	71-2530	
		10	Castor wheels	1996-2003	Ball bearing assembly - Sealed	120-5378	
	Traction unit	11	Segmented castor wheels	1992-2000	Ball bearing assembly - Flanged	251-321	
		8	Neutral centring device	All	Ball bearing assembly - Sealed	251-259	
		16	2WD rear wheel - Inner	1992-1993	Roller bearing assembly - Tapered cone	254-92	
		17	2WD rear wheel - Inner	1992-1993	Bearing race - Tapered cup	254-72	
		16	2WD rear wheel - Inner	1994 and on	Roller bearing assembly - Tapered cone	254-106	
		17	2WD rear wheel - Inner	1994 and on	Bearing race - Tapered cup	254-107	
		16	2WD rear wheel - Outer	All	Roller bearing assembly - Tapered cone	254-92	
		17	2WD rear wheel - Outer	All	Bearing race - Tapered cup	254-72	

**QUICK REFERENCE GUIDE**  
**BEARINGS**

Equipment	Application	Fig. No	Component	Year	Description	Part No		
<b>Groundsmaster 580D</b>	Centre/Wing decks	21	Blade spindle	All	Bearing and spacer set	71-2530		
		11	Castor wheels	1989-1995	Ball bearing assembly - Flanged	251-321		
		10	Castor wheels	1995 and on	Ball bearing assembly - Sealed	120-5378		
	Traction unit	8	Neutral centring device	All	Ball bearing assembly - Sealed	251-259		
		5	Hydraulic pump drive shaft	1995 and on	Cross and bearing assembly	92-4187		
		16	2WD rear wheel - Inner	All	Roller bearing assembly - Tapered cone	254-106		
		17	2WD rear wheel - Inner	All	Bearing race - Tapered cup	254-107		
		16	2WD rear wheel - Outer	All	Roller bearing assembly - Tapered cone	254-92		
		17	2WD rear wheel - Outer	All	Bearing race - Tapered cup	254-72		
		<b>Groundsmaster 1200</b>			All	Bearing-Flange, 2-bolt	140-7039	
		<b>Groundsmaster 3000/3000D</b>	183 cm/72" decks	21	Blade spindle	All	Bearing and spacer set	71-2530
				10	Front castor wheel	All	Ball bearing assembly - Sealed	120-5378
			Debris Blower	6	Castor wheel	All	Roller bearing cage assembly	83-4740
6	Castor wheel			All	Bearing-Flange	62-5580		
10	Front castor wheel			All	Ball bearing assembly - Sealed	120-5378		
Rotary broom	16		2WD rear wheel - In/Out	1996-1998	Roller bearing assembly - Tapered cone	254-94		
	16		2WD rear wheel - In/Out	1999-2000	Roller bearing assembly - Tapered cone	254-92		
	17	2WD rear wheel - In/Out	All	Bearing race - Tapered cup	254-72			
<b>Groundsmaster 3280D/3320</b>	132 cm/52" SD deck	6	Front castor wheel	All	Roller bearing cage assembly	62-5570		
		6	Front castor wheel	All	Bearing-Flange	62-5580		
	152/158/183 cm 60"/62"/72" Traction unit	10	Front castor wheel	All	Ball bearing assembly - Sealed	120-5378		
		8	Neutral centring device	All	Ball bearing assembly - Sealed	251-259		
		12	Front axle-Outer bearing	All	Roller bearing assembly	21-8180		
		16	2WD rear wheel - In/Out	All	Roller bearing assembly - Tapered cone	254-94		
		17	2WD rear wheel - In/Out	All	Bearing race - Tapered cup	254-72		
		<b>Groundsmaster 4000D/4100D</b>	335.3/315.0 cm (132"/124") RD	10	Front castor wheel	All	Ball bearing assembly - Sealed	120-5378
				*	Impact arm	2010 and on	Bearing-Plastic	105-4552
		Debris Blower	10	Front castor wheel	All	Ball bearing assembly - Sealed	120-5378	
10	Front castor wheel		All	Ball bearing assembly - Sealed	120-5378			
10	Front castor wheel		All	Ball bearing assembly - Sealed	120-5378			
<b>Groundsmaster 3500D/3505D</b>	69 cm (27") RD deck	10	Front rollers	All	Ball bearing assembly - Sealed	120-3366		
		8	Rear roller	2000-2003	Ball bearing assembly - Sealed	251-347		
		7	Rear roller	2004-2006	Ball bearing assembly - Outer seal only	109966		
		7	Rear roller	2007 and on	Ball bearing assembly - Outer seal only	112-5290		
	Traction unit	8	Neutral centring device	All	Ball bearing assembly - Sealed	251-259		
		16	2WD rear wheel - In/Out	All	Roller bearing assembly - Tapered cone	254-94		
		17	2WD rear wheel - In/Out	All	Bearing race - Tapered cup	254-72		
		<b>Groundsmaster 4500D/4700D</b>	69 cm (27") RD deck	10	Front rollers	All	Ball bearing assembly - Sealed	120-3366
8	Rear roller			2000-2003	Ball bearing assembly - Sealed	251-347		
7	Rear roller			2004-2006	Ball bearing assembly - Outer seal only	109966		
7	Rear roller			2007 and on	Ball bearing assembly - Outer seal only	112-5290		

**QUICK REFERENCE GUIDE**  
**BEARINGS**

Equipment	Application	Fig. No	Component	Year	Description	Part No
<b>Groundsmaster 5900/5910</b>	Traction unit		Piston pump assembly	2013 and on	Bearing-Roller	125-5279
			Centre front deck	All	Bearing-Spherical	105-7441
			Double-driven spindle	All	Bearing assembly	110-8297
			High-driven spindle	All	Bearing assembly	110-8297
			Driving spindle	All	Bearing assembly	110-8297
			Driving spindle assembly	2016 and on	Bearing spacer set	108-1954
			10" wheel assembly	2011 & on	Bearing - 10" wheel	120-3366
			LH deck connection	2008 and on	Cross and bearing kit	104-4299
	Traction pedal	All	Bearing-Mount, flange	256-236		
<b>Groundsmaster 7200/7210</b>	158 cm (62")/ 183 cm (72") deck	16	Front castor wheel fork	All	Roller bearing assembly - Tapered cone	254-106
		17	Front castor wheel fork	All	Bearing race - Tapered cup	254-107
<b>Aerator</b>						
<b>ProCore 440</b>	Aerator	8	Flywheel shaft	All	Ball bearing assembly - Sealed	100-5396
		8	Stomper arm	All	Ball bearing assembly - Sealed	100-7599
		10	Bottom link arm	All	Ball bearing assembly - Sealed	100-7621
<b>ProCore 660/880</b>	Aerator	8	Flywheel shaft	All	Ball bearing assembly - Sealed	100-5396
		8	Stomper arm	All	Ball bearing assembly - Sealed	100-5386
		10	Bottom link arm	All	Ball bearing assembly - Sealed	100-7621
<b>ProCore 648</b>	Aerator	8	Neutral centring device	All	Ball bearing assembly - Sealed	251-259
		8	Crank arm	All	Ball bearing assembly - Sealed	105-0965
		8	Stomper arm	All	Ball bearing assembly - Sealed	106-8871
<b>ProCore 864/1298</b>	Aerator	8	Crank arm housing	All	Ball bearing assembly - Sealed	110-4555
		8	Stomper arm	All	Ball bearing assembly - Sealed	110-4556
		5	Drive shaft (shielded)	All	Cross and bearing assembly	110-4635
		5	Drive shaft	All	Cross and bearing assembly	110-4641
		8	Drive pulley support	All	Ball bearing assembly - Sealed	106-8871
<b>ProCore Processor</b>	Aerator	16	Wheel-Inner	All	Roller bearing assembly - Tapered cone	254-106
		17	Wheel-Inner	All	Bearing race - Tapered cup	254-107
		16	Wheel-Outer	All	Roller bearing assembly - Tapered cone	254-92
		17	Wheel-Outer	All	Bearing race - Tapered cup	254-72
<b>Hydroject 3000/3010</b>	Aerator	8	Neutral centring device	All	Ball bearing assembly - Sealed	251-259
		16	Rear wheel - In/Out	All	Roller bearing assembly - Tapered cone	254-94
		17	Rear wheel - In/Out	All	Bearing race - Tapered cup	254-72
<b>Hydroject hitch kit</b>	Aerator	11	Castor wheel	All	Ball bearing assembly - Flanged	251-321

**QUICK REFERENCE GUIDE**  
**BEARINGS**

Equipment	Application	Fig. No	Component	Year	Description	Part No
<b>Workman*</b>						
<b>Workman 1110/2110</b>	Vehicle	8	Steering gearbox	All	Ball bearing assembly - Sealed	251-82
		8	Steering gearbox	All	Ball bearing assembly - Sealed	38-7820
		8	2006Shift lever detent	All	Ball bearing assembly - Sealed	251-259
		16	2WD front wheel-Inner	All	Roller bearing assembly - Tapered cone	254-106
		17	2WD front wheel-Inner	All	Bearing race - Tapered cup	254-107
		16	2WD front wheel-Outer	All	Roller bearing assembly - Tapered cone	254-94
		17	2WD front wheel-Outer	All	Bearing race - Tapered cup	254-72
<b>Workman 1300D</b>	Vehicle	5	Rear axle shafts	All	Cross and bearing assembly	92-4187
		19	Rear axle housings	All	Bearing and retainer set	87-1970
<b>Workman 3100</b>	Vehicle	5	Rear axle Shafts	All	Cross and bearing assembly	92-4187
		19	Rear axle housings	All	Bearing and retainer set	87-1970
		16	2WD front wheel-Inner	All	Roller bearing assembly - Tapered cone	254-106
		17	2WD front wheel-Inner	All	Bearing race - Tapered cup	254-107
		16	2WD front wheel-Outer	All	Roller bearing assembly - Tapered cone	254-94
		17	2WD front wheel-Outer	All	Bearing race - Tapered cup	254-72
		20	Clutch release	2006 and on	Thrust bearing w/brackets	110-2538
<b>Workman 3200/3300/3400</b>	Vehicle	4	Transaxle main shaft	All	Ball bearing assembly - Single row	251-8
		*	Gearshaft assembly	All	Bearing-Ball	251-346
		8	Hydraulic pump drive shaft	All	Ball bearing assembly - Sealed	251-82
		5	Rear axle shafts	All	Cross and bearing assembly	92-4187
		19	Rear axle housings	All	Bearing and retainer set	87-1970
		16	2WD front wheel-Inner	All	Roller bearing assembly - Tapered cone	254-106
		17	2WD front wheel-Inner	All	Bearing race - Tapered cup	254-107
<b>Workman 4200/4300</b>	Vehicle	16	2WD front wheel-Outer	All	Roller bearing assembly - Tapered cone	254-94
		17	2WD front wheel-Outer	All	Bearing race - Tapered cup	254-72
		20	Clutch release	2006 and on	Thrust bearing w/brackets	110-2538
		4	Transaxle main shaft	All	Ball bearing assembly - Single row	251-8
		*	Gearshaft assembly	All	Bearing-Ball	251-346
		8	Hydraulic pump drive shaft	All	Ball bearing assembly - Sealed	251-82
		5	Rear axle shafts	All	Cross and bearing assembly	92-4187
<b>Workman MDE</b>	Vehicle	19	Rear axle housings	All	Bearing and retainer set	87-1970
		20	Clutch release	2006 and on	Thrust bearing w/brackets	110-2538
		4	Transaxle main shaft	All	Ball bearing assembly - Single row	251-8
		*	Gearshaft assembly	All	Bearing-Ball	251-346
		8	Steering gearbox	All	Ball bearing assembly - Sealed	251-82
		8	Steering gearbox	All	Ball bearing assembly - Sealed	38-7820
		16	2WD front wheel-Inner	All	Roller bearing assembly - Tapered cone	254-106
17	2WD front wheel-Inner	All	Bearing race - Tapered cup	254-107		
16	2WD front wheel-Outer	All	Roller bearing assembly - Tapered cone	254-94		
17	2WD front wheel-Outer	All	Bearing race - Tapered cup	254-72		





## QUICK REFERENCE GUIDE BELTS

Equipment	Description	Application	Part No	
<b>Greensmaster® Riders</b>				
<b>Greensmaster 500</b>	V-belt	Transmission/Clutch	95-1811	
<b>Greensmaster 800</b>	Belt	Reel drive	65-6200	
	Belt	Transport wheel drive	65-6210	
	Belt	Drum drive	65-9080	
	Belt	Groomer drive	65-9700	
	V-belt (set of 2)	Countershaft drive	92-9218	
<b>Greensmaster 1000</b>	Belt	Reel drive	65-6200	
	Belt	Transport wheel drive	65-6210	
	Belt	Drum drive	65-9080	
	Belt	Groomer drive	65-9700	
	V-belt (set of 2)	Countershaft drive (1990-95 - 04050 and 04051)	65-7270	
<b>Greensmaster 1600/2600</b>	V-belt (set of 2)	Countershaft drive (1995 and on - 04052)	92-9218	
	Belt	Reel drive	65-6200	
	Belt	Transport wheel drive	65-6210	
	Belt	Drum drive	65-9080	
	Belt	Groomer drive	65-9700	
<b>Greensmaster Flex 18/1820</b>	V-belt (set of 2)	Countershaft drive	92-9218	
	Belt	Reel drive	99-2022	
	Belt	Drum drive	117-1353	
	Belt	Groomer drive	120-2763	
	Belt	Reel drive	115-6743	
	Belt	Drum drive	115-6744	
	Belt	Reel drive	99-2022	
	Belt	Drum drive (2001-2005)	99-2023	
	Belt	Drum drive (2006 and on)	117-1353	
	Belt	Groomer drive	120-2763	
	Belt	Reel drive	115-6743	
	Belt	Drum drive	115-6744	
	<b>Greensmaster 3000D</b>	V-belt	Alternator/Water pump drive (1989-1996)	67-4410
		Multi-row V-belt	Groomer drive (3050 and 3200 Style cutting units)	95-0728
			Groomer drive (3/300/3000 Style cutting units)	65-9700
Belt		Groomer drive (DPA cutting units)	120-2763	
<b>Greensmaster 3300/3320/3400 3420</b>	V-belt	Right-hand roller brush assembly	105-5720	
	V-belt	Alternator/Engine ASM	119-4486	
	V-belt	Generator and engine frame ASM	117-4464	

Equipment	Description	Application	Part No
<b>Reelmaster®</b>			
<b>Reelmaster 216</b>	V-belt	Reel drive	61-3380
	Belt	Jackshaft drive	61-3390
	Multi-row V-belt	Pump drive	61-3400
<b>Reelmaster 216D</b>	V-belt	Cooling fan drive	83-9020
	Multi-row V-belt	Jackshaft drive	92-3187
<b>Reelmaster 2000D/2300D/2600D</b>	Multi-row V-belt	Pump drive	93-6840
<b>Reelmaster 3100D</b>	Multi-row V-belt	Pump drive	95-8730
	V-belt	Alternator drive	130-1241
<b>Reelmaster 3350D/3500D/3550D/3555D/3575D</b>	Belt	Reel drive	47-7160
	Belt	Dethatcher reel drive	47-7160
	Belt	Timing belt	74-8830
	V-belt	Alternator and pulley system	104-3494
	3V-belt	Piston pump and gear ASM	99-3619
<b>Reelmaster 450D</b>	Belt	Reel drive	47-7160
	Belt	Dethatcher reel drive	47-7160
	Belt	Fan belt	62-6390
<b>Reelmaster 4000D</b>	Belt	Reel drive	47-7160
	Belt	Dethatcher reel drive	47-7160
	V-belt	Alternator drive	98-7705
<b>Reelmaster 4500D</b>	Belt	Reel drive	47-7160
	Belt	Dethatcher reel drive	47-7160
<b>Reelmaster 223D/5100D/5300D</b>	V-belt	Alternator/Water pump drive	67-4410
<b>Reelmaster 5200D/5400D</b>	V-belt	Alternator drive	98-9676
	Belt	Rear roller brush drive	108-6709
<b>Reelmaster 5500D</b>	V-belt	Cooling fan drive	98-3921
	V-belt	Alternator drive	98-9676
	Belt	Rear roller brush drive	108-6713
<b>Reelmaster 510/5410</b>	Belt	Groomer drive	108-0617
	V-belt	Alternator drive	98-9676
	Belt	Rear roller brush drive	110-1746
<b>Reelmaster 5510/5610</b>	Belt	Groomer drive	108-4497
	V-belt	Alternator drive	98-9676
	Belt	Rear roller brush drive	110-1747
	Belt	Groomer drive	110-1716

Equipment	Description	Application	Part No
<b>Reelmaster 6500D/6700D</b>	Multi-row V-belt	Alternator drive - Peugeot	94-3256
	V-belt	Alternator drive - Kubota	98-9676
	Belt	Rear roller brush drive	108-6713
	Belt	Timing belt (1995-2001 serial up to 210999999)	74-8830
	Belt	Rear roller brush drive (SPA cutting units)	108-6713
	Belt	Groomer drive (SPA cutting units)	108-0617
	Belt	Rear roller brush drive (DPA cutting units)	110-1747
	Belt	Groomer drive (DPA cutting units)	110-1716
		Alternator/Pulley ASM	120-5824
<b>Groundsmaster®</b>			
<b>Groundsmaster 52</b>	V-belt	PTO drive (2 required)	41-9150
<b>Groundsmaster 62</b>	Multi-row V-belt	PTO drive	44-8990
<b>Groundsmaster 217D</b>	Multi-row V-belt	PTO drive	44-8990
<b>Groundsmaster 220</b>	Multi-row V-belt	PTO drive	44-8990
<b>Groundsmaster series decks 52/62/200</b>	V-belt	132 cm (52") RD and SD deck spindle drive	27-1160
	V-belt	158 cm (62") RD & SD deck spindle drive	44-6260
	V-belt	158 cm (62") Guardian Spindle drive	92-5588
	V-belt	183 cm (72") SD deck - Spindle drive	57-0240
<b>Groundsmaster 223D</b>	V-belt	PTO drive	63-6240
	V-belt	Alternator/Water pump drive (1992-1997)	67-4410
<b>Groundsmaster 224</b>	V-belt	PTO drive	63-6240
	V-belt	Alternator/Water pump drive	67-4410
<b>Groundsmaster 225</b>	V-belt	PTO drive	63-6240
	V-belt	Alternator/Water Pump Drive (1999-2004)	99-9156
<b>Groundsmaster 228D</b>	V-belt	PTO drive	63-6240
	V-belt	Alternator/Water pump drive	104-3494
<b>Groundsmaster 322D/325D</b>	Multi-row V-belt	PTO drive	106-4383
	V-belt	Alternator drive	42-9100
	Belt	Fan belt	43-5910

Equipment	Description	Application	Part No
<b>Groundsmaster 327</b>	Multi-row V-belt	PTO drive	106-4383
<b>Groundsmaster 328D</b>	V-belt	Alternator drive	98-9676
	Multi-row V-belt	PTO drive	106-4383
	Belt	Fan belt	105-3693
<b>Groundsmaster 345</b>	Multi-row V-belt	PTO drive	106-4383
	V-belt	Fan belt	67-8510
	V-belt	Alternator drive (1994-2004)	92-9785
<b>Groundsmaster 300 series decks</b>	V-belt	183 cm (72") RD and SD deck spindle drive (3 reqd)	21-0890
	Hex-Belt	183 cm (72") Guardian deck spindle drive	93-8457
	V-belt	224 cm (88") TriFlex centre deck spindle drive	63-1510
	V-belt	224 cm (88") TriFlex wing decks spindle drive	72-3760
	V-belt	183 cm (72") Flex deck centre deck spindle drive	99-9770
<b>Groundsmaster 1200</b>	V-belt	183 cm (72") Flex deck wing deck spindle drive	99-9771
	V-belt	GM 1200 deck	137-3644
	V-belt	GM 1200 deck	137-3645
<b>Groundsmaster 3000/3000D</b>	Hex-Belt	183 cm (72") SD and RD and Guardian spindle drive	93-8457
	V-belt	213 cm (84") RD and Guardian wing deck drive	93-4839
	Hex-Belt	213 cm (84") RD and Guardian centre deck drive	93-4838
<b>Groundsmaster 3280D</b>	Multi-row V-belt	PTO drive	63-6240
	V-belt	Alternator/Water pump drive	104-3494
<b>Groundsmaster 3320</b>	Multi-row V-belt	PTO drive	63-6240
	V-belt	Alternator/Water pump drive	99-9156
<b>Groundsmaster 360</b>	V-belt	Engine component assembly	115-0123
	V-belt	Air conditioning assembly	117-3399
	V-belt	183 cm (72") Guardian deck right spindle drive	110-9592
	V-belt	183 cm (72") Guardian deck left spindle drive	110-9593
	V-belt	183 cm (72") SD deck left spindle drive	110-9591
	V-belt	183 cm (72") SD deck right spindle drive	110-9590

## QUICK REFERENCE GUIDE BELTS

Equipment	Description	Application	Part No
<b>Groundsmaster 3500D/3505D</b>	V-belt	Alternator drive	98-9676
	Multi-row V-belt	Hydrostat drive	99-3619
<b>Groundsmaster 4000D</b>	V-belt	Spindle drive	55-7660
	V-belt	Alternator drive	98-7705
<b>Groundsmaster 4100D</b>	V-belt	Alternator drive	98-7705
<b>Groundsmaster 4300D</b>	V-belt	Fan/Alternator	98-9676
<b>Groundsmaster 4500D/4700D</b>	V-belt	Alternator drive	98-7705
<b>Groundsmaster 455D</b>	Multi-row V-belt	Alternator drive	94-3256
	V-belt	Wing decks - Spindle drive (1992-00 #20000200)	86-1960
	V-belt	Wing decks - Spindle drive (2000 #20000201-03)	100-2588
	V-belt	320 cm (126") Quadfloat centre deck - Spindle drive	86-1970
	Belt	Timing belt	74-8830
<b>Groundsmaster 580D</b>	Hex-Belt	Centre deck - Spindle drive	93-8457
	V-belt	Wing deck - Spindle drive	99-2318
<b>Groundsmaster 5900/5910</b>	V-belt	Centre deck - Spindle drive	112-7376
	V-belt	Centre and wing deck spindle drive	112-7377
<b>Groundsmaster 7200/7210</b>	V-belt	Alternator drive	98-9676
	V-belt	157 cm (62") Guardian deck left spindle drive	110-9595
	V-belt	157 cm (62") Guardian deck right spindle drive	110-9594
	V-belt	183 cm (72") Guardian deck left spindle drive	110-9593
	V-belt	183 cm (72") Guardian deck right spindle drive	110-9592
	V-belt	183 cm (72") SD deck left spindle drive	110-9591
	Belt drive	152 cm (60") SD deck - Spindle drive	105-0887
	V-belt	152 cm (60") SD deck - Spindle drive	67-6920

Equipment	Description	Application	Part No
<b>Aerator</b>			
<b>ProCore 440</b>	V-belt	183 cm (72") SD deck right spindle drive	110-9590
	Multi-row V-belt	Stomper arm drive	100-7644
<b>ProCore 660/880</b>	Multi-row V-belt	Tine drive	100-5392
	Multi-row V-belt	Stomper arm drive	100-5392
<b>ProCore 648</b>	Multi-row V-belt	Primary drive belt	105-0989
	Multi-Row belt	Secondary drive belt	105-0991
<b>ProCore 864/1298</b>	Multi-Row belt	Secondary drive belt	110-4327

Equipment	Description	Application	Part No
<b>Workman*</b>			
<b>Workman 1100</b>	Multi-Row belt	Transmission drive	99-7143
<b>Workman 1300D</b>	V-belt	Hydraulic pump drive	93-7140
	V-belt	Alternator/Water pump drive	98-2947
<b>Workman 2100/2110</b>	V-belt	Starter	99-7133
	V-belt	CVT transmission drive	99-7144
<b>Workman 3100/3120</b>	V-belt	Hydraulic pump drive	87-8370
<b>Workman 3200/4200</b>	V-belt	Governor drive (1993-2001)	87-3200
	V-belt	Hydraulic pump drive (1993-2001)	87-3210
	V-belt	Hydraulic pump drive (2002 and on)	93-7140
	V-belt	Alternator/water pump drive (1993-2001)	92-2041
	V-belt	Alternator/Water pump drive (2002 and on)	99-9156
	<b>Workman 3210/3220/3420</b>	V-belt	Governor drive
	V-belt	Alternator/Water pump drive	92-2041
	<b>Workman 3300D/4300D</b>	V-belt	Hydraulic pump drive (1993-1997)
	V-belt	Hydraulic pump drive (1998 and on)	93-7140
	V-belt	Alternator/water pump drive (1993-1997)	67-4410
	V-belt	Alternator/water pump drive (1998-2001)	98-2947
	V-belt	Alternator/Water pump drive (2002 and on)	99-9156
<b>Workman 3310D/3320D</b>	V-belt	Hydraulic pump drive	93-7140
	V-belt	Alternator/Water pump drive	98-2947
<b>Workman MD</b>	V-belt	Starter	112-3131
	Multi-Row belt	Transmission drive	99-7143
<b>Workman MDX</b>	V-belt	Starter	112-2911
	Multi-Row belt	Transmission drive	112-2912
	V-belt	Engine, clutch/Air cleaner	136-6296
<b>Workman MDX-D</b>	V-belt	Starter	112-2511
<b>Workman HD</b>	V-belt	Hydraulic pump drive	87-8370
<b>Workman HDX/ HDX-D</b>	V-belt	Alternator/water pump drive (2009-2013)	117-4922
	V-belt	Alternator/Water pump drive (2013 and on)	110-3796
<b>Workman HDX Auto</b>	Belt-CVT	Belt-Gearbox assembly	121-9612

## QUICK REFERENCE GUIDE BELTS

Equipment	Description	Application	Part No
<b>Multi Pro*</b>			
<b>1100</b>	Belt	Traction drive	41679*
<b>1200</b>	Belt	Engine and gearbox assembly	117-5896
<b>1250</b>	Belt	Engine and gearbox assembly	117-5896
<b>1750</b>	Belt synchronous	Engine mount	125-0765
<b>5700</b>	V-belt	Alternator drive	98-9676
<b>5800</b>	V-belt	Alternator drive	98-9676
<b>Speciality turf equipment</b>			
<b>ProCore Core Processor</b>	V-belt	Engine drive (set of 3)	110-2772
	V-belt	Chopper drive	115-8957
	Belt	Brush drive	112-4254
	V-belt	Corner shaft	115-2951
<b>Rake-O-Vac Sweeper</b>	V-belt	Engine and clutch/Muffler assembly	13-2650
	V-belt	Impeller/Engine, clutch and muffler assembly	93-0183
	V-belt	Guard assembly	93-4034
<b>ProStripe 560</b>	Belt	Belt-Variator (520)	411024



# PARTS LIST





**PARTS LIST**

Part No	Part No	Part No	Part No	Part No	Part No	Part No	Part No	Part No	Part No	Part No	Part No
01-100-0260	100-3814	100-5415	100-7136	104-0063	104-1385	104-2646	104-4834	104-7851	105-0452	105-3693	105-5402
01-264-0230	100-3833	100-5416	100-7140	104-0064	104-1386-0P	104-3355	104-4836	104-8162	105-0463-01	105-3800	105-5405
01-268-0160	100-3876	100-5417	100-7599	104-0067	104-1388	104-3357	104-4840	104-8215	105-0464-03	105-3822	105-5409
01-279-0010	100-3877	100-5418	100-7617	104-0068	104-1389-0P	104-3365	104-4852-03	104-8216	105-0494	105-3823	105-5421-01
01-283-0030	100-3878	100-5420	100-7618	104-0069	104-1392	104-3366	104-4853-03	104-8219	105-0499-03	105-3824	105-5430
01-283-0040	100-3879	100-5421	100-7621	104-0080	104-1476	104-3373-01	104-4855-03	104-8300	10-5060	105-3825	105-5444
01-283-0090	100-4161	100-5525	100-7631	104-0108	104-1806	104-3375-01	104-4890	104-8301	105-0750	105-3826	105-5445
01-317-0240	100-4181	100-5569	100-7644	104-0151	104-1810	104-3388	104-5169	104-8322	105-0775	105-3827	105-5460
8725	100-4194	100-5579	100-7695	104-0400	104-1830	104-3394	104-5183	104-8330-03	10-5080-01	105-3828	105-5482
100-1270	100-4240	100-5582	100-8011	104-0401	104-1834	104-3396	104-5190-03	104-8331	105-0836	105-3833	105-5493
100-1535	100-4809	100-5605-01	100-8070	104-0402	104-1835	104-3398	104-5207	104-8341	105-0887	105-3834	105-5700
100-1832	100-4810	100-5612-01	100-8071	104-0403	104-1844	104-3399	104-5214	104-9219	105-0965	105-3835	105-5706
100-1854	100-4815	100-5620-01	100-8072	104-0404	104-2024	104-3494	104-5215	10-4930-01	105-0989	105-3836	105-5708
100-2261-01	100-4817	100-5663-03	100-8125-01	104-0405	104-2057	104-3502	104-5428	104-9312	105-0991	105-3838	105-5719
100-2262-01	100-4824	100-5667-03	100-8138	104-0406	104-2065	104-3537	104-5429	104-9314	105-1032-03	105-3912	105-5720
100-2263	100-4825	100-5668-03	100-8148-03	104-0407	104-2067	104-3541	104-5460-03	104-9317	105-1036-03	105-3985	105-5722
100-2267-01	100-4838-03	100-5703	100-8149-03	104-0416-0P	104-2071	104-3542	104-5464	104-9321	105-1036-0P	105-4005-01	105-5723
100-2268-01	100-4838-0P	100-5709	100-8327	104-0417	104-2078	104-3545	104-5483	104-9322	105-1038-03	105-4006-01	105-5729
100-2276	100-4852	100-5762	100-8329	104-0422	104-2091	104-3546	104-5498	104-9323	105-1045-03	105-4007-01	105-5730
100-2287	100-4866	100-5780-03	100-8372	104-0454	104-2200-01	104-3547	104-5499	104-9447	105-1045-0P	105-4011-03	105-5736
100-2289	100-4869	100-5797-03	100-8642	104-0462	104-2201-01	104-3548	104-5500	104-9480	105-1098-03	105-4021	105-5740
100-2348	100-4872	100-5799	100-9237	104-0485-03	104-2202-01	104-3554	104-5501	104-9483	105-1099	105-4169	105-5761
100-2536	100-4876	100-5832	100-9333	104-0485-0P	104-2203-01	104-3563	104-5502	104-9492-03	105-1180	105-4170	105-5769
100-2538	100-4880	10-06-031	100-9818-01	104-0487	104-2204-01	104-3661	104-5504	104-9838	105-1184	105-4232	105-5770
100-2582	100-4890	100-6116	100-9819	104-0532	104-2205-01	104-3797	104-5505	104-9875	105-1212	105-4302	105-5774
100-2588	100-4891	100-6131	100-9821	104-0538	104-2235	104-3928	104-5511	104-9876	105-1213	105-4320	105-5775
100-3017	100-4892	100-6178	100-9900	104-0540	104-2250-01	104-4046	104-5512	104-9877	105-1214	105-4327	105-5795
100-3031	100-4903-03	100-6193	100-9905-0P	104-0705-03	104-2260	104-4212	104-6126	104-9914	105-1215	105-4332	105-5797
100-3032	100-4903-0P	100-6431	100-9906	104-0719	104-2261	104-4229	104-6478	105-0000	105-1216	105-4333	105-5799
100-3052	100-4918	100-6434	100-9911	104-0720	104-2263	104-4246	104-6500	105-0023	105-1218	105-4337	105-6755
100-3069	100-4926	100-6435	100-9943-0P	104-0721	104-2264	104-4299	104-7064	10-5010	105-1219	105-4338	105-6758
100-3070	100-4928	100-6443-01	100-9981	104-0762-01	104-2265	104-4569-03	104-7179	105-0131	105-1221	105-4339	105-6759
100-3102	100-4929	100-6448	100-9993	104-0764	104-2281	104-4623-01	104-7201	105-0139	105-1222	105-4340	105-6761
100-3172-03	100-4930-03	100-6449	103-0384	104-0972	104-2541	104-4624-03	104-7520	105-0140	105-1230	105-4342	105-6785
100-3190-03	100-4939-03	100-6756	103-1802	104-0984	104-2547	104-4641	104-7521	105-0150	105-1686	105-4347	105-6792
100-3192	100-4944	100-6991	103-2897	104-1051-03	104-2602-03	104-4727	104-7524	105-0156	105-1904	105-4548	105-7269
100-3350	100-4959	100-6992	103-2898	104-1052-03	104-2607	104-4754	104-7529-01	105-0158	105-2409	105-4549	105-7270
100-3380	100-4992	100-7100	103-5895	104-1080	104-2609	104-4809	104-7546	105-0171-03	105-2439	105-4550	105-7271
100-3381	100-4994-01	100-7105	103-6771	104-1093	104-2610	104-4817	104-7547	105-0172	105-2539	105-4551	105-7272
100-3620	100-5024	100-7106	103-9511	104-1156	104-2611	104-4819-03	104-7705	105-0173	105-2806	105-4552	105-7441
100-3621	100-5384	100-7113-01	104-0015	104-1301	104-2612	104-4820-03	104-7706	105-0177	105-2807-03	105-4579	105-7443
100-3694	100-5386	100-7123	104-0028	104-1303	104-2628	104-4821	104-7707	105-0191	105-2808	105-5342	105-7468
100-3695	100-5392	100-7124-01	104-0046	104-1304	104-2632	104-4825-03	104-7708	105-0194	105-2809	105-5379	105-7482
100-3696	100-5396	100-7126	104-0057	104-1380	104-2640	104-4827-03	104-7719	105-0195-01	105-3048	105-5392	105-7507
100-3795	100-5414	100-7132	104-0058	104-1381	104-2642	104-4828-03	104-7738	105-0418-01	105-3249	105-5394	105-7576

**PARTS LIST**

**PARTS LIST**

Part No	Part No	Part No	Part No	Part No	Part No	Part No	Part No	Part No	Part No	Part No	Part No
105-7577	105-9928-01	106-3840	106-6754	106-8541	107-1594	107-3273-01	107-7589	108-1197	108-1698	108-2928-01	108-4200
105-7900	105-9930-01	106-3924	106-6774	106-8542	107-1595	107-3275	107-7590	108-1260	108-1699	108-2936	108-4201
105-7901	105-9935	106-3925	106-6895-03	106-8625	107-1598	107-3276	107-7602-01	108-1370	108-1700	108-2938	108-4205
105-7902	105-9943	106-3937	106-6914	10-6870-03	107-1977	107-3279	107-7773	10-8140	108-1701	108-2947	108-4206
105-7903	105-9945	106-4154	106-6915	106-8871	107-1997	107-3280	107-7777-01	108-1450	108-1702	108-2948	108-4207
105-7927	106-0003	106-4167	106-6917	106-8872	107-2043-03	107-3281	107-7779-01	108-1451	108-1703	108-2949	108-4213
105-7941	106-0005	106-4192	106-6926	106-9004	107-2062	107-3296	107-7795	108-1452	108-1704	108-3150	108-4214
105-8075	106-0006	106-4214	106-6927	106-9091	107-2077	107-3299-03	107-7796	108-1453	108-1708	108-3151	108-4234
105-8076	106-0022	106-4237	106-6929	106-9093	107-2084	107-3376	107-7816	108-1454	108-1710	108-3156	108-4269-01
105-8095-01	106-0023	106-4269	106-6937	106-9094	107-2152	107-3399	107-7817	108-1462	108-1711	108-3162	108-4279
105-8118	106-0631	106-4317	106-6941	106-9095-01	10-7240	107-3505	107-7819	108-1463	108-1712	108-3168	108-4284
105-8120	10-6090	106-4353-03	106-6942	106-9288	107-2550	107-3509	107-7828	108-1464	108-1713	108-3198-03	108-4286
105-8250	106-1025	106-4383	106-7159	106-9518	107-2552-01	107-3510	107-8105	108-1471	108-1714	108-3263	108-4289
105-8252-03	106-1026	106-4616	106-7166-03	106-9605	107-2553	107-3526	107-8107	108-1473	108-1720	108-3284	108-4293
105-8265	106-1080-03	106-4620	106-7536	106-9606	107-2554	107-3532	107-8133	108-1475-03	108-1721	108-3808	108-4302
105-8285	106-1082	106-4668	106-7865	106-9607	107-2561	107-3533	107-8181	108-1476-03	108-1745	108-3809	108-4303
105-8288	106-1085-03	106-4669	106-7962	106-9618	107-2563	107-3540-03	107-8183-01	108-1477	108-1757	108-3810	108-4334
105-8289	106-1113	106-4675	106-7974	106-9623	107-2564	107-3543-01	107-8184-01	108-1478	108-1782	108-3811	108-4339
105-8318	106-1128	106-4689	10-6821	106-9627	107-2565	107-4001	107-8186-01	108-1483	108-1783	108-3812	108-4391
105-8536-01	106-2008	106-4904	10-6830	106-9674	107-2567	107-4026	107-8188	108-1590	108-1785-03	108-3813	108-4393
105-9156	106-2271	106-5187	106-8417	106-9691	107-2577	107-4027	107-8190-01	108-1591	108-1791	108-3814	108-4475-03
105-9159	106-2416	106-5190	106-8428	106-9758	107-2580	107-4028	10-7820	108-1600	108-1799-03	108-3815	108-4477
105-9202	106-2600-01	106-5269	106-8429	106-9888	107-2582	107-4304	107-8844	108-1602	108-1801-01	108-3816	108-4478
105-9203	106-2603	106-5270	106-8437	107-0204	107-2598	107-4348-03	107-9089	108-1606-03	108-1802	108-3817	108-4480
105-9238	106-2607	106-5277	106-8448	107-0214-03	107-2599	107-4349-03	107-9091	108-1607-03	108-1806-01	108-3818	108-4491
105-9602	106-2619	106-5336	106-8450	107-0215-03	107-2951	107-4392	107938	108-1625	108-1814-03	108-3828	108-4495
105-9612	106-2630	106-5344	106-8454	107-0216-03	107-2954	107-4430	107-9519	108-1640	108-1825	108-3831	108-4496
105-9613-01	106-2633	106-5354	106-8459	107-0217-03	107-2970	107-4501-01	107-9531	108-1641	108-1842	108-3833	108-4497
105-9614-01	106-2646	106-5363	106-8463	107-0222	107-2979	107-4513	108-0015	108-1642	108-1844	108-3835	108-4511-01
105-9615-01	106-2648-01	106-5366-01	106-8468	107-0235-03	107-2993-03	107-4517-03	108-0573-01	108-1643	108-1921	108-3837	108-4527-03
105-9616-01	106-3621	106-5384	106-8470	107-0245	107-2996	107-4543	108-0617	108-1665-03	108-1924	108-3841	108-4957
105-9632	106-3622	106-5388	106-8471	107-0249	107-2999	107-4544	108-0638	108-1665-0P	108-1954	108-3842	108-4958
105-9635	106-3662	106-5408	106-8482	107-0333	107-3205	107-4545	108-0800	108-1666-03	108-1956	108-3847	108-4959
105-9767	106-3669	106-5409	106-8489	107-0392	107-3206	107-4546-03	108-0989	108-1671-01	108-2124-03	108-3854	108-4960
105-9768	106-3670	106-5422	10-6850	10-7070	107-3207	107-4547	10-8100-01	108-1672	108-2132	108-4000	108-4961
105-9770	106-3671	106-6355	106-8511	107-1054	107-3216	107-4738	10-8110	108-1679	10-8220	108-4004	108-4975
105-9781	106-3672	106-6362	106-8513	107-1078	107-3224	107-4788	108-1176	108-1683	108-2282	108-4022	108-4977
105-9810-03	106-3680	106-6392	106-8521	107-1135	107-3226-01	10-7640	108-1177	108-1685	108-2603	108-4023	108-4978
105-9816	106-3691	106-6394	106-8527	10-7130	107-3227	10-7670	108-1178	108-1686	108-2604	108-4032	108-4991
105-9817	106-3692	106-6395	106-8528	107-1588	107-3228	107-7284	108-1183	108-1689	108-2800	108-4033	108-4994
105-9822	106-3693	106-6396	106-8529	107-1589	107-3233	107-7400	108-1184	108-1691	108-2829	108-4034	108-5194
105-9823	106-3712-03	106-6691	106-8530	107-1590	107-3237	107-7409	108-1185	108-1693	108-2835-01	108-4172	108-5402-03
105-9827	106-3713	106-6698	106-8535	107-1591	107-3238	107-7433	108-1187	108-1695	108-2872	108-4176	108-5406-03
105-9912	106-3719	106-6716	106-8536	107-1592	107-3244	107-7447	108-1190	108-1696	108-2873	108-4190	108-5412
105-9926	106-3731	106-6726	106-8540	107-1593	107-3258	107-7513	108-1196	108-1697	108-2924	108-4193	108-5413

**PARTS LIST**



**PARTS LIST**

Part No	Part No	Part No	Part No	Part No	Part No	Part No	Part No	Part No	Part No	Part No	Part No
108-5418-03	108-6895-01	108-7986-0P	108-9104	108-9180	108-9231	110-0622-03	110-1706	110-3468-01	110-5132	110-6312-03	110-8944
108-5421	108-6898	108-7987	108-9105	108-9182	108-9232	110-0624-03	110-1716	110-3469	110-5133	110-6314	110-8946
108-5424	108-6945	108-7991-03	108-9106	108-9184	108-9233	110-0641	110-1718	110-3575	110-5227	110-6348-03	110-8951-03
108-5431	108-6980	108-7994	108-9108	108-9186	108-9234	11-0070	110-1731-03	110-3796	110-5236	110-6460	110-8955
108-5432	108-6983	108-7995-03	108-9109	108-9188	108-9235	110-0901	110-1734	110-3800	110-5251-03	110-6461	110-8964
108-5472	108-7007	108-7996	108-9110	108-9190	108-9236	110-0906-01	110-1735	110-3951	110-5253-01	110-7350	110-8965
108-5477	108-7384-03	108-8076	108-9112	108-9191	108-9237	110-0907-01	110-1740	110-3952	110-5254-01	110-7351	110-8966
108-5481	108-7388	108-8077	108-9114	108-9192	108-9238	110-0913	110-1742	110-3953	110-5255	110-7352	110-8971
108-5482	108-7395-03	108-8401	108-9116	108-9193	108-9239	110-0914	110-1745	110-3955	110-5256-01	110-7370	110-8972
108-5483	108-7409-01	108-8406	108-9120	108-9194	108-9240	110-0915	110-1746	110-3986	110-5259-03	110-7500	110-8976
108-5484	108-7577-03	108-8409	108-9122	108-9195	108-9241	110-0916	110-1747	110-4001	110-5269-03	110-8105	110-8977-03
108-5490-03	108-7582-03	108-8411	108-9124	108-9196	108-9242	110-0917-01	110-2220	110-4015	110-5275	110-8110	110-8981-03
108-5490-0P	108-7584-01	108-8414	108-9128	108-9197	108-9243	110-0918-01	110-2221	110-4016	110-5276	110-8181	110-8982
108-5498-01	108-7585	108-8415	108-9129	108-9198	108-9244	110-0919	110-2227	110-4053	110-5286	110-8195	110-9007-03
108-5675	108-7587	108-8416	108-9130	108-9199	108-9245	110-0922	110-2300	110-4058	110-5287	110-8297	110-9011
108-6094	108-7591-03	108-8426	108-9132	108-9200	108-9246	110-0928	110-2301	110-4060	110-5288	110-8537	110-9015
108-6475	108-7602	108-8428	108-9133	108-9201	108-9247	110-0929	110-2333	110-4069	110-5299-03	110-8751	110-9021
108-6496	108-7604	108-8431	108-9134	108-9202	108-9248	110-0930	110-2338	110-4074	110-5310-01	110-8785	110-9029
108-6503-03	108-7605	108-8432	108-9135	108-9203	108-9249	110-0931	110-2380	110-4079	110-5311	110-8786	110-9035
108-6505	108-7623	108-8433	108-9136	108-9204	108-9259	110-0938-01	110-2381	110-4084	110-5313-03	110-8787	110-9036
108-6506	108-7624	108-8440	108-9137	108-9205	108-9260	110-0952-03	110-2382	110-4086	110-5314	110-8795	110-9037
108-6507	108-7625	108-8455-01	108-9138	108-9206	108-9261	110-0966	110-2389	110-4100	110-5323-03	110-8806	110-9041
108-6508	108-7629	108-8457	108-9139	108-9207	108-9264	110-0972	110-2391	110-4104	110-5324	110-8813	110-9044
108-6509	108-7630	108-8468	108-9141	108-9208	108-9265	110-0973	110-2393	110-4109	110-5331	110-8814	110-9049
108-6510	108-7632	108-8470	108-9143	108-9209	108-9290	110-0984	110-2536	110-4110	110-5334-03	110-8851	110-9590
108-6511	108-7633	108-8471	108-9145	108-9210	108-9293	110-0986	110-2537	110-4113	110-5335	110-8852	110-9591
108-6538	108-7639-03	108-8481	108-9147	108-9211	108-9294	110-0988	110-2538	110-4146	110-5337	110-8856	110-9592
108-6539	108-7641	108-8482	108-9149	108-9212	108-9296	110-0991	110-2548	110-4252-03	110-5339	110-8871	110-9593
108-6542	108-7643	108-8483	108-9151	108-9213	108-9297	110-0992	110-2549	110-4327	110-5343-03	110-8872	110-9594
108-6543	108-7662	108-8625	108-9153	108-9214	108-9298	110-0993	110-2598	110-4444	110-5345	110-8874-03	110-9595
108-6544	108-7903	108-8626	108-9159	108-9215	108-9299	110-0998	110-2730	110-4555	110-5688	110-8876-01	110-9600
108-6556	108-7906-01	108-8642	108-9160	108-9216	108-9455	110-1322	110-2772	110-4556	110-5946-03	110-8878	110-9602-03
108-6573	108-7909-03	108-8657	108-9161	108-9217	108-9955	110-1323	110-2908	110-4635	110-5948-03	110-8882	110-9609-03
108-6590-03	108-7913	108-9025-0P	108-9162	108-9218	108-9957	110-1325	110-3257	110-4641	110-5999-01	110-8884	110-9611
108-6590-0P	108-7931-03	108-9026	108-9163	108-9219	109-0275	110-1330	110-3259	110-4692-03	110-6115-03	110-8885	110-9628
108-6709	108-7935-03	108-9026-03	108-9164	108-9220	109-0294	110-1332	110-3285	110-4692-0P	110-6116-03	110-8896	110-9629
108-6713	108-7941	108-9036	108-9165	108-9221	109-0302	110-1333	110-3314	110-4701	110-6129	110-8910	110-9630
108-6715	108-7942	108-9037	108-9166	108-9222	109-0304	110-1350-03	110-3315	110-4702-03	110-6130	110-8915	110-9631
108-6809	108-7965	108-9080	108-9167	108-9223	109-0660	110-1364	110-3322-01	110-4703-03	110-6140	110-8917	110-9642
108-6846	108-7977-03	108-9081	108-9168	108-9224	109966	110-1368-01	110-3362	110-4767	110-6166	110-8921	110-9683
108-6849-03	108-7977-0P	108-9082	108-9170	108-9226	110-0009	110-1372	110-3364	110-4768	110-6186	110-8924	110-9695
108-6855	108-7979-03	108-9083	108-9172	108-9227	110-0259-0P	110-1395-03	110-3365	110-4769	110-6187	110-8925	110-9713
108-6856	108-7979-0P	108-9084	108-9174	108-9228	110-0260-0P	11-0160	110-3371	110-4770	110-6303	110-8928	111-1276
108-6859-01	108-7983	108-9090-01	108-9176	108-9229	110-0485	110-1700	110-3380	110-4771	110-6310	110-8942	111-1381
108-6885	108-7986-03	108-9096	108-9178	108-9230	110-0621-03	110-1701	110-3467-01	110-4812	110-6311	110-8943	111-1492

**PARTS LIST**

**PARTS LIST**

Part No	Part No	Part No	Part No	Part No	Part No	Part No	Part No	Part No	Part No	Part No	Part No
111-1717	112-1366	112-6468-03	112-9197	114-3831	114-8864	115-2661	115-6882	115-8957	117-2720	117-6831	119-0710
111-5755	112-1400	112-6950	112-9275	114-3832	114-8868	115-2951	115-6923	115-9022	117-2722	117-6839	119-0934
111-5758	112-1403	112-6951	112-9279-0P	114-3837	114-8874	115-3009	115-7041	115-9023	117-2723	117-6840	119-1128
112-0009	112-1405	112-6952	112-9458	114-3848	114-8875	115-3259	115-7042	115-9024	117-2724	117-6992	119-1604
112-0153	112-1432	112-6957	112-9462-03	114-3849	114-8876	115-3260	115-7140	115-9028	117-2726	117-7190	119-1645
112-0156	112-1480-01	112-6967	112-9469-01	114-3972	114-8897	115-3282	115-7143	115-9142	117-2727	117-7191	119-1646-03
112-0176	112-1482-01	112-6968	112-9471	114-4057	114-9376	115-3290	115-7171	115-9471	117-2792	117-7193	119-1647-03
112-0177	112-1690	112-7022	112-9586-03	114-4319	114-9377	115-3296	115-7172	115-9472	117-2901	117-7194	119-1648-03
112-0178	112-1704	112-7023	112-9916	114-4634	114-9383	115-3299	115-7263	115-9473	117-3290	117-7195	119-1651
112-0205	112-1705	112-7153	112-9918	114-4643	114-9384	115-3303-03	115-7354	115-9793	117-3399	117-7196	119-1652
112-0217-01	112-1707	112-7156-03	112-9919	114-4650	114-9388	115-3311	115-7356	117-0106	117-3756	117-7198	119-1653
112-0220	112-1708	112-7157-03	114-0381-03	114-4665	114-9389	115-3366	115-7361	117-0107	117-3759	117-7199	119-1735
112-0237	112-1711	112-7161	114-0382-03	114-4672	114-9390	115-3434	115-7365	117-0118	117-4302	117-8055	119-1868
112-0238	112-1718-01	112-7376	114-0383-03	114-4680	114-9391	115-3453	115-7380	117-0132	117-4303	117-8093	119-2050
112-0273	112-1728	112-7377	114-0384-03	114-4681	114-9396	115-3461	115-7753	117-0148	117-4464	117-8177	119-2051
112-0278	112-1731	112-7451	114-0385-03	114-4683	115-0120-03	115-3465	115-7771	117-0149	117-4687	117-8259	119-2052
112-0285-01	112-1732	112-7494	114-0430	114-4685	115-0123	115-3466	115-7811	117-0172	117-4689	117-8972	119-2053
112-0289	112-1733	112-7652	114-0434-03	114-4693-03	115-0129	115-3473	115-7812	117-0203-03	117-4764	117-8976	119-2065
112-0291	112-1734	112-7673	114-0435-03	114-4861	11-5049	115-3475	115-7818	117-0208	117-4861	117-8988	119-2066
112-1300	112-1735-01	112-7688	114-0440-03	114-5062	11-5059	115-3488	115-7854	117-0209-03	117-4922	117-9032	119-2157
112-1301	112-1738	112-7689	114-0550	114-5400	11-5069	115-3771	115-8018	117-0211	117-5100	117-9432	119-2158
112-1303	112-1853	112-7836	114-0551	114-5401	11-5079	115-4260	115-8034	117-0212	117-5115	117-9471	119-2482
112-1304	112-2511	112-8400	114-0553	114-5403	115-0811	115-4263	115-8059	117-0213	117-5125	117-9493	119-3009
112-1306	112-2911	112-8409	114-0555	114-5407	115-0813	115-4295	115-8060	117-0235	117-5129	117-9507	119-3010
112-1307	112-2912	112-8908-01	114-0557	114-5410	115-0828	115-4510	115-8063-03	117-0238	117-5135	117-9870	119-3516
112-1310	112-2923	112-8915	114-0558	114-5411	115-0833	115-4523	115-8063-0P	117-0289	117-5141	117-9875	119-3557
112-1311	112-3131	112-8916-0P	114-0560	114-5412	115-0838	115-5219	115-8066-03	117-0297	117-5142	11-8960	119-3558
112-1312	112-3163	112-8918	114-0561	114-5417	115-0839	115-5258	115-8066-0P	117-0299	117-5147	119-0011	119-3871
112-1313	112-3168	112-8935	114-0583	114-5421	11-5089	115-5296	115-8189	117-0823	117-5188	119-0023	119-4012
112-1314	112-3262	112-8942	114-0584	114-5422	115-0894	115-5300	115-8250	117-0957	117-5190	119-0084	119-4035
112-1316	112-4254	112-8954-01	114-0590-01	114-5430	115-1554	115-5304	115-8292-0P	117-0959	117-5196	119-0087	119-4039
112-1322	112-5102	112-8961	114-0620	114-5596	115-1556	115-5305	115-8293-0P	117-0960	117-5419	119-0089	119-4040
112-1329	112-5103	112-8962-0P	114-0626	114-5640-03	115-1572	115-5357-03	115-8294-0P	117-0987	117-5541	119-0116-03	119-4050
112-1330	112-5104	112-8978	114-0631	114-5641	115-1714	115-5469	115-8295-0P	117-0989	117-5834	119-0117-03	119-4067
112-1332	112-5105	112-9130	114-0633	114-5680	115-1770	115-5471	115-8296-0P	117-0990	117-5835	119-0118	119-4090
112-1347	112-5106	112-9140	114-0641-03	114-7606	115-1794	115-5618	115-8298-03	117-1353	117-5836	119-0614-01	119-4092
112-1348	112-5107	112-9170	114-0644-03	114-7614	115-1880	115-5642-03	115-8299	117-1397	117-5837	119-0619	119-4093
112-1350	112-5121	112-9174-01	114-0876-03	114-7715	115-1881	115-5647	115-8483	117-1408	117-5838	119-0625	119-4095
112-1351	112-5122	112-9180	114-0897	114-7728	115-2007	115-5649	115-8484	117-1507	117-5839	119-0626	119-4097
112-1353	112-5123	112-9181	114-2726	114-7741	115-2165	115-5765	115-8603	117-1511	117-5896	119-0630	119-4098
112-1356	112-5262	112-9182	114-3315	114-7742	115-2169	115-6699	115-8861	117-1530	117-6619	119-0631	119-4129
112-1358	112-5268	112-9184	114-3319	114-8119	115-2283	115-6743	115-8877	117-1532	117-6788	119-0640	119-4150
112-1359	112-5290	112-9185	114-3494	114-8385	115-2284	115-6744	115-8887	117-1548	117-6824	119-0641	119-4151
112-1360	112-5291	112-9188	114-3717	114-8859	115-2285	115-6784	115-8896	117-2364	117-6826	119-0649	119-4153
112-1364	112-5757	112-9193	114-3825	114-8860	115-2292	115-6869	115-8898	117-2376	117-6827	119-0654	119-4154

**PARTS LIST**

**PARTS LIST**

Part No	Part No	Part No	Part No	Part No	Part No	Part No	Part No	Part No	Part No	Part No	Part No
119-4155	119-9040	120-2114	120-5577	121-0685	121-4681	125-1978	125-7003	127-5897	130-7943	131-7800	132-7313
119-4156	119-9044-03	120-2183	120-5696	121-1720-01	121-4682	125-1984	125-7025	127-6124	130-7944	131-8276	132-7314
119-4157	119-9307-01	120-2235	120-5754	121-1733	121-5252	125-1997	125-7249	127-6214	130-8094	131-8318	132-7353
119-4164	119-9746	120-2244	120-5772	121-1736	121-5253	125-2098	125-7251	127-6389	130-8357	131-8319	132-7354
119-4165	120-0404	120-2682-01	120-5819	12-1190	121-5347-03	125-2099	125-7252	127-6422	130-8380	131-8433	132-7357
119-4166	120-0405	120-2709	120-5824	121-2241	121-5397	125-2751	125-7253	127-6427	130-8860	131-8440	132-7361
119-4250	120-0698	120-2742	120-6272	121-2474-03	121-5613	125-2772	125-8752	127-6428	130-9070	131-8443	132-7362
119-4251-03	120-0699	120-2752	120-6274	121-2474-0P	121-5631	125-2773	125-9139	127-6429	130-9151-03	131-8444	13-2840
119-4252-03	120-0700	120-2763	120-6379	121-2520	121-5633	125-2779-01	125-9176	127-7109	130-9410	131-8588	132-8621
119-4253-03	120-0701	120-2783	120-6451	121-2583	121-6288	125-2796	125-9249	127-7111	130-9477	131-8785	132-9421
119-4275	120-0702	120-3198	120-7230	121-2598-01	121-6357	125-2902	125-9444-03	127-7424	131-0504	131-8795	132-9510
119-4276	120-0703	120-3199	120-7448	121-2637	121-6392	125-2909	126-1963	127-7435	131-1821	132-0370	132-9598
119-4280	120-0704	120-3220	120-7639	121-2646	121-6393	125-2914	126-2928	127-8001	131-2013	132-1319	133-0140
119-4286	120-0705	120-3221	120-8802	121-2756	121-6394	125-2915	126-8033	127-8684	131-2382	132-1324	133-0150
119-4288	120-0706	120-3222	120-8874-03	121-2976	121-6395	125-3319	127-0259	12-8140	131-2786	132-1325	133-0151
119-4289	120-0707	120-3237	120-8878	121-2977	121-6674	125-3333	127-0381	12-9390	131-2787	132-1390-03	133-0152
119-4486	120-0708	120-3351	120-8879	121-3166	121-6675	125-3511	127-2070	12-9460	131-3126	132-1391	133-0153
119-4777	120-0709	120-3366	120-8910	121-3167	121-6903-03	125-3520	127-2156	130-0063	131-3185	132-1392	133-0154
119-5852	120-0710	120-3404	120-8959	121-3182-03	121-7856	125-3526-03	127-2160	130-0064	131-3204	132-1440	133-0155
119-6021	120-0711	120-3407	120-8987	121-3187	121-7906	125-3527-03	127-2161	130-0071	131-3233	132-3777	133-0157
119-6225	120-0712	120-3408	120-8988	121-3199	121-7924	125-3528-03	127-2164	130-0075	131-3364	132-3778	133-0158
119-6343	120-0713	120-3417	120-8989	121-3548	121-8457	125-3537	127-2165	130-0081	131-3751	132-3831	133-0195
119-6955	120-0714	120-3457	120-9412	121-3575	121-9070	125-3540	127-2174	130-0088	131-3828	132-3841	133-0577
119-6956	120-0716	120-3461-01	120-9595	121-3603	121-9072	125-3541	127-2175	130-0093	131-4201	132-3842	133-0614
119-6957	120-0781	120-3465-03	120-9600	121-3605	121-9076	125-4300	127-2176	130-0105	131-4293	132-4350	133-0628
119-6964	120-1044	120-3468	120-9605	121-3625	121-9077	125-4301	127-2177	130-0107	131-4295	132-4351	13-3090
119-6965	120-1045	120-3476	120-9607	121-3627	121-9081-01	125-4302	127-2181	130-1188	131-4305	132-4389	133-2331
119-6968	120-1046	120-4132-01	120-9609	121-3653	121-9517	125-5142-03	127-2183	130-1193	131-4399	132-4393	133-2332
119-6972	120-1047	120-4174	120-9611	121-3657	121-9518	125-5178	127-2206	130-1241	131-4876	132-4394	133-2337
119-6987	120-1050	12-0460	120-9613	121-3664	121-9519	125-5196	127-2612	130-1673	131-4888	132-4395	133-2378
119-6988	120-1051	120-4621	120-9619	121-3666	121-9531	125-5222	127-2665-03	130-1899	131-4889	132-4427-0P	133-2724
119-6989	120-1052	120-4817	120-9620-03	121-3811	121-9535	125-5244	127-2741	130-2660	131-5528	132-4586	133-2900
119-6990	120-1053	120-4980	120-9622	121-3882	121-9612	125-5279	127-2742	130-4105	131-6150	132-4626	133-2929
119-6991	120-1057	120-5116	120-9623	121-3891	121-9774	125-5283	127-2796	130-4119	131-6262	132-5206	133-2934
119-8010-03	120-1058	120-5118	120-9653	121-3892	121-9924	125-5288	127-2958	130-4123	131-6557	132-5209	133-2935
119-8015	120-1059	120-5120	120-9664	121-4570	122-0371	125-5298	127-2983	130-4127	131-6561	132-5982	133-2940
119-8020	120-1060	120-5142	120-9695	121-4600	12-3270	125-5299	127-2998	130-4132	131-6572	132-6116	133-2950
119-8021	120-1061	120-5261	120-9705	121-4605	125-0552	125-5609	127-3075	130-4136	131-6581	132-6205	133-4525-01
119-8145	120-1062	120-5313-03	120-9707	121-4609	125-0554	125-5610	127-3694	130-4139	131-6667	132-6206	133-4724
119-8158	120-1063	120-5341	120-9738	121-4613	125-0765	125-5611	127-3721	130-4141	131-6670	13-2650	133-4894
119-8161	120-1064	120-5378	120-9742	121-4617	125-1906	125-5623	127-3731	130-6469	131-6673	132-6959	133-5659
119-8268	120-1640	120-5404	120-9941	121-4618	125-1912	125-6044	127-3741	130-7096	131-6690	132-6971	13-3629
119-8313	120-1641	120-5405	121-0547	121-4635	125-1938	125-6045	127-3818	130-7832	131-6691	132-6979	13-3649
119-8558	120-1642	120-5575	121-0618	121-4641	125-1954	125-6406	127-4284	130-7873	131-6828	132-6994	13-3659
119-8952	120-2072	120-5576	121-0675	121-4680	125-1967	125-6465	127-5839	130-7879-01	131-6829	132-7312	13-3679

**PARTS LIST**



**PARTS LIST**

Part No	Part No	Part No	Part No	Part No	Part No	Part No	Part No	Part No	Part No	Part No	Part No
13-3710	136-3419	137-6093	137-8417	137-8566	138-6994	139-6031	140-5283	16-1019	215-75	237-148	2412-10
133-7570	136-3510	137-6094	137-8422	137-8570	138-8207	139-6234	140-5284	16-9759	21-6410	237-156	2412-108
133-8086	136-3568	137-6095	137-8423	137-8574	138-8242	139-6472	140-5285	16-9769	217-117	237-158	2412-111
133-8087	136-4370-03	137-6097	137-8426	137-8577	138-8579	139-6497	140-5286	17-1580	217-60	237-161	2412-125
133-8205	136-4390	137-6101	137-8427	137-8580	138-9028	139-6499	140-5287	17-1590	217-74	237-177	2412-129
133-8271	136-4440	137-6103	137-8429	137-8594	138-9029	139-6522	140-5509	17-1600	21-8180	237-21	2412-130
133-8273	136-4442	137-6105	137-8432	137-8598	138-9146	139-6524	140-5510	17-1620	21-8450	237-22	2412-133
133-8278	136-4475	137-6107	137-8433	137-8599	138-9699	139-6528	140-5514	17-1630	21-8470	237-30	2412-134
133-8895-03	136-5270	137-6109	137-8437	137-9706	138-9705	139-6529	140-5530	17-1640	218-578	237-38	2412-137
133-8896	136-5375	137-6110	137-8438	138-0587	138-9706	139-6530	140-5531	17-1650	218-594	237-42	2412-143
133-8897	136-6280	137-6111	137-8439	138-1227	139-0686	139-6531	140-5552	17-2490	21-8640	237-54	2412-146
133-8898	136-6296	137-6112	137-8444	138-1248	139-0956	139-6532	140-5560	17-2520	21-9370	237-58	2412-3
133-8899	136-7287	137-6113	137-8445	138-1520-01	139-0959	139-6533	140-5580	17-8149	21-9380	237-65	2412-34
133-8905	136-7963	137-6114	137-8446	138-1522-01	139-0972	139-6534	140-5581	17-9420	21-9390	237-68	2412-36
134-0536	136-7964	137-6115	137-8447	138-1547	139-0994	139-6535	140-5582	17-9426	21-9420	237-77	2412-37
134-0537	136-8005	137-6116	137-8451	138-1557	139-1032	139-6536	140-5607	1-806003	21-9430	237-78	2412-4
134-0538	136-8446	137-6117	137-8452	138-1618	139-1033	139-6539	140-5847	18-6320	21-9440	237-79	2412-41
134-0567	136-8483	137-6118	137-8453	138-1619	139-1034	139-7411	140-5848	18-6340	21-9450	237-80	2412-73
134-0575	136-8484	137-6119	137-8455	138-1620	139-1035	139-7412	140-6101	18-6370	21-9460	237-81	2412-89
134-0576	136-8485	137-6120	137-8459	138-1621	139-1036	139-7799-03	140-6159	18-6380	2210-118	237-84	2412-92
134-0639	136-8489	137-6121	137-8460	138-1622	139-1037	140-0000	140-6221	18-7160	22-8720	237-86	2412-94
134-1208	136-8577	137-6123	137-8461	138-1930	139-1038	140-0002	140-6248	18-7310	23-0660	237-95	2412-98
134-1229	137-0832	137-6124	137-8464	138-4975	139-1039	140-0016	140-7023	18-7530	231-101	237-97	242-50
134-1230	137-0833	137-6126	137-8465	138-5253	139-1042	140-0016sp	140-7027	18-7660-01	231-103	237-99	24-8840
134-1368	137-0879	137-6130	137-8469	138-5270	139-1044	140-0028	140-7039	1891	231-105	23-9740	24-9180
134-1447	137-1311	137-6132	137-8470	138-5553	139-2650	140-0029	14-0829	19-1470	231-122	240-11	249-40
134-1524	137-1312	137-6141	137-8471	138-5600	139-2651	140-0034	140-8561	19-1471	231-126	240-12	251-206
134-1997	137-1653	137-6142	137-8476	138-5753	139-2680	140-0048	140-8823	19-2090	231-3	240-14	251-247
134-3085	137-2597	137-6143	137-8477	138-5755	139-2699	140-0048sp	140-9214	19-9540	231-95	240-3	251-252
134-3123	137-3387	137-6145	137-8479	138-6303	139-2723	140-0282	140-9234	19-9550	232-24	240-4	251-253
134-3959	137-3388	137-6147	137-8482	138-6311	139-3358	140-0283	140-9258	19-9560	23-2270	240-5	251-257
134-3961	137-3571	137-6611	137-8483	138-6335	139-4318	140-2250	140-9259	19-9820	232-3	240-7	251-259
13-4960	137-3644	137-6612	137-8488	138-6367	139-4319	140-2443	142-2899	20-4290	23-2300	240-9	251-293
136-1010	137-3645	137-6613	137-8489	138-6388	139-4320	140-3058-03	142-6858	20-4670	232-37	2410-30	251-311
136-1100	137-3659-03	13-7749	137-8495	138-6391	139-4321	140-3060-03	144-3664	20-7380-01	23-2410-03	2410-64	251-312
136-1126	137-3671-03	13-7759	137-8496	138-6408	139-4322	140-3142	144-3665	20-9500	23-2790-01	241-119	251-318
136-1127	137-5215	13-7769	137-8497	138-6409	139-4323	140-3144	144-4020	21-0890	233-21	2411-33	251-321
136-2881	137-5500	137-8402	137-8504	138-6410	139-4324	140-3354	14-4459	21-1030	233-25	2411-36	251-327
136-2908	137-5512	137-8403	137-8505	138-6411	139-4346	140-3441	14-4479	2112-11	233-42	2411-38	251-331
136-2915	137-5529	137-8406	137-8511	138-6416	139-4475	140-4816	14-4489	2112-9	233-48	2411-40	251-336
136-2921	137-5580	137-8407	137-8512	138-6465	139-4497	140-5233	145-0057	21-1880	233-70	2411-41	251-337
136-2922	137-5640	137-8409	137-8513	138-6484	139-5950	140-5235	1-513374	21-3001	23-4800	2411-42	251-338
136-3154-0P	137-6090	137-8412	137-8517	138-6903	139-5951	140-5236	1-523420	21-3850	237-101	2411-43	251-342
136-3339	137-6091	137-8413	137-8522	138-6931	139-5952	140-5248	1-603299	21-3860	237-143	2411-44	251-346
136-3387	137-6092	137-8416	137-8523	138-6941	139-6017	140-5282	1-603903	21-3870	237-146	2411-46-03	251-347

**PARTS LIST**

**PARTS LIST**

Part No	Part No	Part No	Part No	Part No	Part No	Part No	Part No	Part No	Part No	Part No	Part No
251-352	254-91	27-0970-03	283-82	30052	31-0750	32121-112	3213-2	3217-6	322-3	3233-34	3243-1
251-6	254-92	27-0990-03	283-83	30053	31196	32121-12	3213-20	3217-7	322-4	3233-4	3243-13
251-77	254-94	2710-11	283-88	30054	3-1506	32121-122	32136-2	3217-8	322-42	323-4	324-5
251-8	256-1	2710-20	28-4210	30055	31609	32121-123	32136-9	3217-9	322-49	3234-1	3245-1
251-82	256-113	2710-31	285-17	30056	3210-2	32121-15	3213-8	32180-030	322-5	3234-11	3245-35
25-2400	256-115	27-1040	28-8720-01	30057	32103-12	32121-16	321-4	3218-1	322-6	3234-12	3245-42
252-6	256-116	27-1050	29-4820	30058	32103-22	32121-2	32140-94	3218-13	322-7	3234-13	324-6
25-2630	256-132	27-1160	29-5530-03	30059	3210-4	32121-24	32141-111	3218-18	322-8	3234-14	3246-17
252-66	256-155	27-1170	29-6162	30061	32104-116	32121-3	32141-36	3218-2	322-9	3234-17	3246-2
253-111	256-156	27-1180	29-6163	30062	32104-17	32121-32	32144-1	3218-3	3229-1	3234-18	324-7
253-117	256-172	27-1190	29-8870	30063	32104-32	32121-34	32144-10	3218-5	3229-11	3234-19	324-8
253-118	256-185	27-1200	29-8910	30064	32104-76	32121-35	32144-102	3218-7	3229-2	3234-24	3249-3
253-120	256-2	27-1210	29-9100	30065	32104-95	32121-36	32144-14	3219-1	3229-20	3234-27	3250-13
253-122	256-219	27-1970	30001	30068	32105-13	32121-44	32144-18	3219-10	3229-34	3234-29	3250-17
253-129	256-234	27-2060	30002	30073	32105-2	32121-45	32144-4	3219-14	3230-1	3234-32	3250-36
253-133	256-236	27-2150	30004	30086	32105-21	32121-50	32144-44	3219-2	3230-2	3234-33	325-10
253-134	256-239	27-2270	30005	30089	32105-9	32121-51	32144-57	3219-3	3230-22	3234-34	325-11
253-137	256-243	27-2320	30006	30090	3210-6	32121-6	32144-69	3219-5	3230-23	3234-36	325-12
253-138	256-251	27-2360	30008	30091	32108-101	32121-67	32146-13	3-2198	3230-26	3234-38	325-13
253-139	256-252	27-2650	30010	30093	32108-20	32121-69	32146-20	3220-1	3230-30	3234-4	325-14
253-141	256-254	27-3070	30012	30097	32108-9	32121-73	32148-6	3220-12	3230-5	3234-42	325-17
253-152	256-257	27-4240	30014	3-0144	321-10	32121-9	32149-2	3220-16	3230-6	3234-5	325-18
253-154	256-287	27-5170	30015	302-11	321-11	321-23	32149-8	3220-18	3230-7	3234-6	325-19
253-159	256-292	27-5970	30016	302-14	3211-2	3212-4	321-5	3220-2	323-10	3234-7	325-2
253-163	256-304	27-6590	30017	302-18	3211-4	32128-12	32151-104	3220-20	323-11	323-49	325-22
253-165	256-311	27-6602	30018	302-2	3211-40	32128-15	32151-12	3220-25	3231-2	323-5	3252-4
25-3210	256-317	27-7180	30021	302-33	321-15	32128-16	32151-34	3220-26	323-12	323-50	325-3
253-61	256-42	27-9080	30022	302-34	3211-6	32128-17	32151-36	3220-3	3231-21	323-52	3253-17
253-70	256-76	28-0670	30023	302-39	321-18	32128-19	32151-47	3220-5	3231-22	323-53	3253-21
253-83	257-11	281-3	30024	302-40	321-2	32128-20	32151-60	3220-6	3231-25	323-58	3253-3
253-84	257-5	28-1590	30027	30245	32120-15	32128-21	32151-61	3220-7	3231-27	323-6	325-33
253-96	257-6	28-1600	30028	30246	32120-18	32128-23	32151-62	3220-9	323-13	323-7	3253-4
254-106	26-1530-01	282-2	30029	30247	32120-19	32128-25	32151-71	322-1	3231-33	323-8	3253-5
254-107	26-1580	283-1	30030	30248	32120-22	32128-32	32151-75	322-10	3231-4	323-9	3253-6
254-62	26-1820	283-10	30034	30249	32120-37	32128-33	32151-77	322-11	323-14	324-10	3253-7
254-65	26-1840	283-14	30035	302-5	32120-42	32128-36	32151-92	322-12	3231-5	324-13	3253-8
254-66	26-1990	283-55	30036	302-57	32120-47	32128-37	32151-95	322-13	323-15	3241-5	325-4
254-67	26-3790	283-57	30037	302-60	32120-62	32128-39	32152-1	322-14	323-17	3241-6	3254-1
254-68	26-6740	283-6	30038	30261	32120-72	32128-42	32152-4	322-16	3231-9	3241-7	3254-17
254-72	26-8250-01	283-61	30039	30262	32120-8	32128-43	32153-5	322-17	323-19	324-19	3254-2
254-78	26-8310-01	283-62	30040	302-62	32120-84	32128-48	32153-6	322-2	323-2	3242-1	3254-21
254-79	27-0870	28-3680	30041	3-0312	32120-93	32128-49	321-6	322-20	323-20	3242-2	3254-4
254-86	27-0920	283-71	30042	30408	32121-11	32128-54	3216-16	322-23	323-23	3242-4	3254-6
254-87	27-0950	283-73	30043	304-46	32121-110	321-3	3217-12	322-26	323-29	324-25	3254-8
254-90	27-0960	283-8	30051	304-61	32121-111	3213-1	3217-5	322-29	3233-26	3242-9	325-5

**PARTS LIST**

**PARTS LIST**

Part No	Part No	Part No	Part No	Part No	Part No	Part No	Part No	Part No	Part No	Part No	Part No
3255-16	3258-166	327-7	3296-33	33105-025	340-127	353-564	38-7330	44958	47-7140	5-1226	5-4373
3255-2	325-9	3283-1	3296-39	33105-030	340-128	353-743	38-7420	44959	47-7150	51-2550	5-4523
3255-7	3262-3	328-5	3296-4	33106-090	340-129	353-781	38-7820	44960	47-7160	5-1382	5-4527
3255-8	3269-11	328-9	3296-42	33113-008	340-132	353-783	3-9116	44962	47-7170	5-1393	54-8810
3255-9	3269-15	3289-4	3296-44	33113-012	340-136	353-877	3-9117	44963	47-7510	51-4060	54-8870
325-6	3269-18	3290-125	3296-45	33113-016	340-138	353-949	3-9280-01	44964	48-7430	5-1457	54-9180
3256-1	3269-23	3290-133	3296-47	33113-020	340-139	353-957	39-9590	44965	48-8880	5-1460	54-9510
3256-14	3269-28	3290-134	3296-48	33113-025	340-14	353-979	40-0340	44966	48-9020	5-1461	55-7660
3256-15	3269-3	3290-148	3296-49	33113-030	340-142	353-987	40-0370-01	44967	48-9050	5-1463	560031w
3256-16	3269-4	3290-237	3296-5	33114-010	340-154	353-988	40-3760-03	44968	48-9071-01	5-1464-03	56-2140
3256-2	3269-8	3290-244	3296-50	33114-016	340-156	353-990	40-6400	44969	48-9081-01	5-1468-01	56-6220
3256-21	327-14	3290-271	3296-51	33114-020	340-157	354-120	40998	44970	48-9220	5-1470	56-6230
3256-22	327-15	3290-317	3296-53	33114-025	340-16	354-121	40999	44971	48-9590	5-1706	56-6360
3256-23	327-17	3290-321	3296-56	33114-030	340-17	354-126	411024	44975	49-0390	52-1460	56-7960
3256-24	3272-1	3290-343	3296-57	33114-035	340-18	354-136	41480	4-5189-01	49-2040	52-2480	56-7970
3256-25	3272-10	3290-355	3296-6	33114-040	340-2	354-73	41679	46-0430	49-4100	52-2860	56-7971
3256-26	3272-11	3290-357	3296-60	33114-060	340-3	354-78	41-9150	46-6550	49-5430	52-2890	56-7972
3256-28	3272-12	3290-360	3296-62	33115-016	340-4	354-79	42-1910	46-6560	49-5880	52-2891	56-7973
3256-3	3272-13	3290-378	3296-67	33115-020	340-6	360-0398	42-1940	46-7510	49-5900	52-2900	56-7976
3256-35	3272-16	3290-379	3296-8	33115-025	340-65	361-1	4-2219	46-8530	49-5960	52-2910	56-9510
3256-38	3272-19	3290-382	3296-9	33115-030	340-68	361-10	42-3560	46-8560	49-6020	52-2920	56-9520
3256-4	3272-23	3290-384	33003-00	33115-050	340-7	36-1740	42-4800-01	47-2380	49-6110-01	52-2930	57-0240
3256-42	3272-25	3290-440	33004-00	33115-080	340-70	3-6498	42-9030	47-2890	49-6120	52-2980	57-0260
3256-45	3272-37	3290-450	33014-00	33115-090	340-72	3-6573	42-9100	47-4060-01	49-6200-01	52-2990	57-0690
3256-46	3272-4	3290-455	33023-00	33118-045	340-74	3-6685	43-0090	47-4080-01	49-6220	52-3000	57-3210
3256-49	327-24	3290-467	33024-00	33118-140	340-77	36-7190	43-1820	47-4250	49-6250	52-3100	57-4940-01
3256-5	327-25	3290-477	33025-00	33123-016	340-78	36-7250	43-2550	47-4260	49-6260	52-3110	57-5190
3256-51	3272-6	3290-485	33026-00	33124-020	340-82	36-7260	43-2830	47-4300-01	49-6290	52-3120	57-5200
3256-56	3272-7	3290-495	33028-00	33124-025	340-86	36-7420	43-3860	47-4380	49-6440-03	52-3170	57-5210
3256-6	3273-14	3290-55	33-0630	33125-025	340-87	3-6775	43-3990	47-4390	49-7660	52-3180	57-5270
3256-62	3274-1	329-1	33093-00	33125-030	340-88	3-6777	43-5910	47-4400	49-8320	52-3200	57-5280
3256-67	3274-104	329-2	33094-00	33125-045	340-89	3-6778	43-5930	47-4410	5-0652	5-2653	57-6140
3256-69	3274-105	3295-46	33096-00	33126-045	340-92	3-6781	43-6810	47-4420	5-0698	5-2673	57-6220
3256-7	3274-12	32-9610	33098-00	33-3090	340-98	37-2760-01	44-0870	47-4430	5-0946	5-2942	57-6390
3256-74	3274-22	3296-12	33-1000	3334-945	3-4160	37-3490-01	44-2200	47-4440	51-0350	5-3137	57-7650
3256-77	3274-31	3296-15	33103-012	3-3891	3-4170	3-7442	44-2500	47-4450	51-0600	5-3256	57-8580
3256-78	3274-39	3296-16	33103-016	3-3892	3-4244	3-7445	44-5480	47-4460	51-0680	5-3257	57-9340
3256-82	3274-5	3296-19	33103-020	3-3904	353-212	37-6730	44-5560	47-4470	51-0700	5-3820	57-9910
325-7	3274-52	3296-2	33103-040	340-1	353-384	37-8030-03	44-6250-03	47-4480	51-0780	5-3889	58-3850
3257-3	3274-69	3296-20	33103-045	3-4010	353-426	38-0410	44-6260	47-4490	51-0790	53-9250	58-4250
3257-32	3274-7	3296-23	33104-016	340-101	353-427	38-3400	44-6340	47-4510	5108	5-3934	58-5740
3257-33	3274-74	3296-25	33104-020	340-103	353-461	3-8386	44-6370	47-4530	51-0830	53-9682	58-5750
3257-42	3274-80	3296-26	33104-025	340-105	353-511	3-8448	44-8990	47-5320-01	51-0840	54-0010-03	58-5780
3257-5	3274-93	3296-28	33104-030	340-109	353-515	3-8514	44955	47-5640	5-1090	54-0110	58-5790
325-8	3274-99	3296-29	33104-040	340-126	353-550	38-5250	44957	47-6680	5-1091	5-4038	59-2080

**PARTS LIST**



**PARTS LIST**

Part No	Part No	Part No	Part No	Part No	Part No	Part No	Part No	Part No	Part No	Part No	Part No
59-2500-03	61-3260	63-3850	66-4070	68-9400	71-2530	75-1620-01	76-4660	82-6600	83-1680	84-6160	86-5360
59-2580	61-3280	63-3890	66-4270	68-9930	71-3590	75-1710	76-5050	82-6630-01	83-1690	84-6180	86-5390
59-3670	61-3290	63-3930	66-4340	68-9970	71-3690	75-1720	76-5220	82-6650-01	83-1700	84-8200	86-5910
59-4200	61-3380	63-3950	66-5620	69-1510	71-4410	75-1740	76-8170	82-6740	83-1840-01	84-8290	86-6110
59-5470-01	61-3390	63-4020	66-5640	69-1530	71-4411	75-1960-01	76-8640	82-6780-01	83-1890	84-8600	86-6560
59-5560	61-3400	63-4030	66-5650	69-1720	71-4540	75-1980-01	76-8870	82-6820	83-2280	85-0160-03	86-7330
59-5570	61-3790	63-4050	66-7220	69-2980	71-4740-03	75-2160	77-0300-01	82-6830-01	83-2310	85-0290	86-7450
59-5580-01	61-3800	63-4080	66-7230	69-4320	71-5960	75-4040-03	77-0330	82-9390	83-2380	85-0310-03	86-7610-03
59-5630	61-4160	63-4480	66-7240	69-5430-03	72-0380	75-4050-03	77-0350	83-0020	83-2420	85-4650	86-7640-01
59-5690	6-1600	63-6240	66-8010	69-6270-01	72-0390	75-5270	77-0560	83-0030	83-2590	85-4930	86-8100-01
59-5780	61-9390-01	63-7400	66-8800	69-6470	72-0410	75-5470	77-1060	83-0040	83-4720-01	85-4940	86-8101-03
59-5820	62-2130	63-7790	66-9140	69-6860	72-0420	75-5890	77-1080	83-0080	83-4730-01	85-5760	86-8630
59-5830-01	62-2170	63-8300	66-9302	69-6920-03	72-0430	75-5900	77-4340-01	83-0160	83-4740	85-6010	86-9100
59-5890	62-2180	63-8360	67-1750	69-6950	72-0440	75-5910	77-4810	83-0190-01	83-5400	85-6040-03	86-9120
59-5910	62-2190	63-8400	67-1751	69-8390	72-0450-01	75-6070	77-5080-01	83-0200-01	83-6950-01	85-6540	86-9140
59-6010-01	62-2390-01	63-8410	67-4410	69-8400	72-0460-01	75-6080	77-5320	83-0540-01	83-7000	85-6610	86-9720
59-6070-01	62-2440	63-8580	67-4630	69-8890	72-0470-01	75-6180	77-5340	83-0580	83-8590	85-7190	86-9810-01
59-6080-01	62-2460	63-8610	67-5770	69-8930	72-3760	75-6200	77-6710-03	83-0630	83-9020	85-7220	87-1430
59-6090	62-2660	63-8750	67-5840	69-8960	72-4640-03	75-6230	77-7330	83-0640-01	83-9310	85-8030	87-1490
59-6140	62-4340	63-9510	67-6920	69-8980	72-4660-03	75-6340	80-1210	83-0700-03	8-3980	85-8120-03	87-1970
59-6150	62-4420	63-9750	67-7561	69-9010	72-4680-03	75-6820	80-1300	83-0730	8-3990	85-8120-0P	87-2310
59-6190	62-4480	65-5940	67-7960	69-9290	72-9361	75-7570	80-1460	83-0740	84-0560	85-8290	87-2720-03
59-6250-01	62-4600	65-5950	67-8110	69-9760	72-9390	75-7580-01	80-1470	83-0750	84-0810-01	85-8360	87-3200
59-6330	62-4610-03	65-6200	67-8510	69-9800	72-9710	75-7590-01	80-1680	83-0760	84-0820-01	85-8460	87-3210
59-6340	62-5070	65-6210	67-9100	69-9880	74-0340	75-7680-01	80-1690	83-0810	84-1990	85-8730	87-3290
59-7410	62-5510	65-6450	67-9410	700083	7-4150	75-7730	80-1860-03	83-0820	84-2000-03	85-8770	87-3470
59-7490	62-5570	65-6460	68-3270	700382	74-1810	75-8100	80-1890	83-0830-01	84-2000-0P	85-8940	87-3770
59-8400	62-5580	65-6520	68-5260	7-0081	74-3570	75-9440	80-2040	83-0840-01	84-2190	85-8950	87-3920
59-9740	62-6080	65-6530	68-5310	70-1170	74-3650	75-9590	80-2050	83-0870	84-2230-03	85-8960	87-4020
60-5470	62-6110	65-7270	68-5380	70-1350	74-3730	75-9670-01	80-6990	83-0910	84-2280-03	85-9020	87-4260
60-6500	62-6130	65-7910	68-5560	70-1820	74-5560	75-9680-01	80-7342	83-1031	84-2350	85-9030	87-4760
6-1030	62-6390	65-7940	68-5880	70-4790	74-5950	75-9831	80-8650	83-1040	84-2420-03	85-9120	87-5100
61-0380-01	62-6470	65-8360-01	68-6150	70-7130	74-8830	75-9840	80-9330	83-1050	84-2450	85-9150	87-6630
61-0410	62-6480-01	65-8570	68-6710	70-8040	74-9100	75-9990	80-9590	83-1060-0P	84-2451	85-9180	87-7270
61-0420-01	62-7120	65-8600	68-6840	70-8370	74-9110	76-0410	8-1750	83-1150	84-2452	85-9200	87-7480
61-0430-01	62-7700-03	65-8640	68-7530	70-8500	75-0240	76-0520	82-0660	83-1200	84-2453	85-9550	87-8170
61-0790	62-7770	65-8770	68-8900-01	70-9840	75-0560	76-0800	82-2190	83-1220	84-2460-03	85-9670	87-8370
61-0910	63-0070	6590003	68-8920	70-9870	75-0770	76-0850	82-3070-03	83-1270	84-2550-03	85-9970	87-8640
61-1010	63-0080-03	65-9080	68-8930	70-9880	75-1040	76-2460	8-2490	83-1350	84-2620-03	86-0010-03	87-9400
61-1210-01	63-0960	65-9500	68-8940	70-9940	75-1290	76-2970	82-4910	83-1360	84-2680-03	86-1960	88-6330
6-1130	63-1510	65-9700	68-8950	70-9950	75-1310	76-2980	8-2530	83-1390	84-5300	86-1970	88-6790
61-1950	63-1540-03	65-9940	68-8960	70-9960	75-1370	76-3580	8-2570	83-1420	84-5370	86-2090	88-6830
61-2670	63-1770	66-0561	68-8970	71-0940	75-1520	76-3600-01	82-6510-01	83-1430	84-6070	86-2120	88-6870
61-2790	63-2290	66-2630	68-8980	71-1360	75-1560-01	76-3610-01	82-6530-01	83-1630-03	84-6080	86-3010	88-7200
61-3000	63-3410	66-2950	68-8990	71-1550	75-1610-01	76-3620	82-6570	83-1670	84-6090	86-5350	88-7580

**PARTS LIST**

**PARTS LIST**

Part No	Part No	Part No	Part No	Part No	Part No	Part No	Part No	Part No	Part No	Part No	Part No	Part No
88-7590	92-2601	92-8866	93-2254	93-3577	93-6212	93-8806	94-1382	94-5236	94-9214	95-0637-03	95-3085	
88-7840	92-2739	92-8934	93-2255	93-4034	93-6587	93-8823	94-1383	94-5261	94-9219	95-0642	95-3086	
88-7880	92-2762	92-8972	93-2256	93-4132	93-6689	93-8825	94-1386	94-5350	94-9220	95-0646	95-3087	
88-8350	92-3086	92-8973	93-2258	93-4133	93-6696	93-8826	94-1392	94-5357	94-9226	95-0647	95-3088	
88-8440-03	92-3087	92-8981	93-2264	93-4239	93-6789	93-8827	94-1410	94-5358	94-9411	95-0648	95-3089	
88-8450	92-3187	92-8983	93-2270	93-4240	93-6790	93-8849	94-1433	94-5381-01	94-9609	95-0707	95-3090	
88-8480	92-3814	92-8990	93-2279	93-4241	93-6838-03	93-9014	94-1861-03	94-5383-01	94-9610	95-0728	95-3094	
88-8990	92-4187	92-8991	93-2322	93-4242	93-6840	93-9015	94-2500	94-5586-01	94-9611	95-0745	95-3095	
88-9000	92-4284	92-8995	93-2329	93-4243	93-6841	93-9017	94-2621	94-5588-01	94-9617	95-0772	95-3348	
88-9630-01	92-4285	92-8997	93-2368	93-4244	93-6842	93-9018	94-2660	94-5780	94-9618	95-0930	95-3465	
88-9640-01	92-5018-03	92-9165	93-2384	93-4262	93-6850	93-9039	94-2690	94-5850	94-9619	95-1629	95-3577	
88-9700	92-5035	92-9167	93-2454	93-4263	93-6855	93-9043	94-2694-01	94-5858	94-9620	95-1633	95-3703	
92-0527	92-5039	92-9199	93-2463	93-4264	93-6857	93-9045	94-2701	94-5870	94-9625	95-1634-01	95-4256	
92-0530	92-5578-01	92-9218	93-2464	93-4510	93-6887	93-9049-01	94-2702	94-5879	94-9648	95-1635-01	95-4356	
92-1233	92-5581	92-9231	93-2466	93-4582	93-6960	93-9051	94-2703	94-5885	95-0532	95-1636	95-4387	
92-1298	92-5583	92-9250	93-2470	93-4583-03	93-6981	93-9052	94-2710	94-5979	95-0550	95-1638	95-4389	
92-1655	92-5584	92-9251	93-2489	93-4628	93-7128	93-9078	94-2732	94-6116	95-0551	95-1642-01	95-5622	
92-1705	92-5588	92-9252	93-2511-01	93-4632	93-7140	93-9151	94-2733	94-6363	95-0552	95-1653	95-5719	
92-1715	92-5604	92-9545	93-2516	93-4696	93-7160	93-9164	94-2738	94-6368	95-0555	95-1811	95-5805	
92-1719	92-5606	92-9657	93-2518	93-4747	93-7486	93-9774	94-2747	94-6392	95-0556-03	95-1828	95-5806	
92-1726	92-5607	92-9658	93-2522	93-4764	93-7498	93-9783	94-2958	94-6394	95-0559	95-2450	95-5807	
92-1727	92-5608-03	92-9659	93-2525	93-4803	93-7500	93-9793	94-3256	94-6395	95-0564	95-2625	95-5817	
92-1765	92-5694	92-9726	93-2545	93-4824	93-7501	93-9794	94-3405	94-6396	95-0568-01	95-2638	95-5825	
92-1815	92-5816	92-9727	93-2549	93-4825	93-7502	93-9795	94-3477	94-6710	95-0575	95-2741	95-5826	
92-1846	92-5821	92-9749	93-2550	93-4838	93-7510	93-9879	94-3489	94-6826	95-0576-03	95-2789	95-5833	
92-2025	92-6282	92-9767	93-2551	93-4839	93-7522	93-9898	94-3559	94-6936	95-0577	95-2790	95-5840-03	
92-2153	92-7160	92-9785	93-2559	93-4982	93-7629	93-9901-01	94-3621	94-7227	95-0582	95-2793	95-5942	
92-2308-03	92-7186	93-0181	93-2562	93-5023	93-7630	93-9903	94-3695-01	94-7372	95-0584	95-2903	95-5943	
92-2311-03	92-7302	93-0183	93-2569	93-5265	93-7631	93-9904	94-3697-01	94-8150	95-0586	95-2908	95-5946	
92-2312-03	92-7305	93-0307	93-2576-01	93-5268	93-7769	93-9934	94-3829	94-8170	95-0590-03	95-2910	95-5959-01	
92-2313-03	92-7534	93-0309	93-2877	93-5385	93-7775	93-9936	94-3951	94-8171	95-0591	95-2912	95-5965	
92-2314	92-7536	93-1122	93-2887	93-5547	93-7818	93-9937	94-4208	94-8196	95-0592	95-2932	95-5966	
92-2315	92-7538	93-1251	93-2891	93-5630	93-8062	93-9938	94-4307	94-8197	95-0594	95-2941-01	95-5984	
92-2318-03	92-7539	93-1252	93-2892	93-5957	93-8063	93-9939	94-4328	94-8198	95-0595	95-3070	95-5985	
92-2319-03	92-7559	93-1256	93-2904-01	93-5961	93-8064	93-9999	94-4329	94-8199	95-0599	95-3071	95-5986	
92-2320	92-7560	93-1394	93-2906	93-5973	93-8065	94-0694	94-4335	94-8693	95-0600-01	95-3073	95-5987	
92-2323	92-7595	93-1414	93-2921	93-5974	93-8075	94-0695	94-4507	94-8908	95-0601-01	95-3076	95-5988	
92-2324	92-7638	93-2018	93-2931	93-5980	93-8409	94-1291	94-4543	94-8936	95-0610	95-3077	95-5989	
92-2325-03	92-7750-01	93-2075-01	93-2959	93-5988	93-8457	94-1304	94-4544	94-8945	95-0611	95-3078	95-6231	
92-2326-03	92-7768	93-2090	93-2981-01	93-6048	93-8552	94-1328	94-4548	94-8946	95-0612	95-3079	95-6448	
92-2343-01	92-7900	93-2092	93-2998-01	93-6049	93-8584	94-1369	94-4969	94-9024	95-0620-01	95-3080	95-7119	
92-2344	92-8690	93-2096	93-3007	93-6051	93-8626	94-1371	94-4982	94-9202	95-0621	95-3081	95-7140-01	
92-2379	92-8861	93-2190	93-3038-03	93-6053-01	93-8636	94-1374	94-4993	94-9210	95-0625	95-3082	95-7148	
92-2538	92-8862	93-2191	93-3080-03	93-6069	93-8637	94-1375	94-5053	94-9211	95-0632-03	95-3083	95-7149	
92-2546	92-8863	93-2242	93-3102	93-6090	93-8684	94-1378	94-5079	94-9213	95-0636	95-3084	95-7158	

**PARTS LIST**

Part No	Part No	Part No	Part No	Part No	Part No	Part No	Part No	Part No
95-7497	95-8933-0P	98-2196	98-7693	99-1469	99-3801	99-5621	99-9156	SGS08500
95-7733-01	95-8936	98-2197	98-7705	99-1611	99-3841	99-5648	99-9209	SGS10374
95-8531	95-8941	98-2330	98-7769	99-1612	99-3842	99-5652	99-9770	SGS10375
95-8538	95-8971	98-2389	98-7912	99-1613	99-4072	99-5653	99-9771	SGS10500
95-8568-03	95-8972	98-2859	98-7913	99-1615	99-4103	99-5654	AU218-5106	SGS10504
95-8575	95-8979	98-2947	98-7921-01	99-1635	99-4109	99-5672	Gva15205	SGS10750
95-8581	95-8980	98-2982	98-7966	99-1637-01	99-4115	99-5678	H292327	SGS10875
95-8601	95-8981	98-3551	98-7978	99-1638	99-4116	99-5748	Kw10676	SGS10876
95-8603	95-8982	98-3587-01	98-7993	99-1644	99-4126	99-5749	Sbc17000	SGS12500
95-8620	95-8990	98-3921	98-8153	99-2022	99-4148	99-6193	SG148154	SGS12750
95-8634	95-8999	98-3999	98-8159	99-2023	99-4149	99-6240	SG148160	SGS12875
95-8689	95-9185	98-4166	98-8173	99-2047	99-4152	99-6241	SG481512	SGS12876
95-8694	95-9186	98-4583	98-8676	99-2058	99-4182-01	99-6858	SG482016	SGS14500
95-8724-03	95-9188	98-4584	98-8677-01	99-2079	99-4183-01	99-6964	SG482017	SGS14750
95-8730	95-9191	98-4587	98-8687	99-2087	99-4191	99-6969	SG487054	SGS14875
95-8736	95-9193	98-4590	98-8688	99-2093	99-4201	99-7133	SG487255	SGS14876
95-8739-01	95-9221	98-4639	98-8690	99-2096	99-4208	99-7140	SG487256	SGS16100
95-8748-01	95-9222	98-4871	98-8691	99-2097	99-4209	99-7143	SG487257	SGT05550
95-8752	95-9223	98-5208	98-8754	99-2098	99-4210	99-7144	SG487275	SGT07750
95-8753-01	95-9224	98-5215	98-8756	99-2318	99-4211	99-7214	SG487276	117-7021
95-8755-01	95-9225	98-5918	98-8759	99-3139	99-4212	99-7300	SG487277	SGT08125
95-8783	95-9226	98-5920-01	98-8761-01	99-3373	99-4213	99-7420	SG487278	117-7013
95-8784	95-9619	98-5933	98-8766-01	99-3404	99-4225	99-7430	SG715802	SGT10750
95-8796-03	95-9648	98-7068-01	98-8775	99-3412-03	99-4243	99-7435	SGA08313	117-7020
95-8802	98-0152	98-7257	98-8776	99-3439	99-4248	99-7532	SGA10375	SGT12125
95-8803	98-0616	98-7260	98-8777	99-3440	99-4258	99-7534	SGA12375	SVB13600
95-8805	98-0642	98-7261	98-9305	99-3472	99-4260	99-7570	139-8618	SVB14520
95-8806	98-0646	98-7264	98-9311	99-3476	99-4270	99-7667	139-8616	T68021100
95-8826	98-0647	98-7300-01	98-9416	99-3478	99-4500	99-7963-03	139-8614	
95-8827	98-0648	98-7302-01	98-9493	99-3514	99-4502	99-8150	SGC07750	
95-8828	98-0649	98-7312	98-9676	99-3545	99-4503	99-8162	139-8625	
95-8835	98-0668	98-7313	98-9705	99-3602	99-4504	99-8163	139-8628	
95-8836	98-0917	98-7400	98-9764	99-3619	99-4505	99-8168	SGC08123	
95-8837	98-0924-01	98-7401	99-0044	99-3620	99-4506	99-8343	SGC08125	
95-8840	98-0925	98-7402	99-0815	99-3624	99-4508	99-8351	139-8617	
95-8843	98-0973	98-7403	99-0853	99-3625	99-4509	99-8358	139-8619	
95-8853	98-0996	98-7404	99-1091	99-3626	99-4543-01	99-8432	139-8623	
95-8854	98-1471	98-7406	99-1268	99-3641	99-5107	99-8611	139-8620	
95-8861	98-1483	98-7407	99-1283	99-3646	99-5432	99-8661	SGC10755	
95-8884	98-2150	98-7408	99-1291	99-3757	99-5493	99-8662	139-8613	
95-8904-03	98-2160	98-7410	99-1297	99-3767	99-5501	99-8664	SGC12123	
95-8904-0P	98-2161	98-7413	99-1453	99-3773	99-5608-03	99-8675	SGC12125	
95-8905-01	98-2178	98-7419	99-1454	99-3782	99-5609-03	99-8685-03	SGS07313	
95-8917	98-2181	98-7611	99-1456	99-3792	99-5614	99-8698-01	SGS08313	
95-8933-03	98-2194	98-7612	99-1460	99-3794-0P	99-5617	99-9155	SGS08375	





GENUINE PARTS

# DO YOU KNOW THE TRUE COST OF CUTTING COST?



## GENUINE TORO® QUALITY MAKES A DIFFERENCE

If a customer comes in needing a spare part, protect the reliability and productivity of their Toro® equipment by using parts designed specifically by Toro engineering experts for Toro machines.

### HERE ARE OUR TOP REASONS WHY YOU SHOULD BE USING GENUINE TORO PARTS.

#### QUALITY AND DURABILITY

Genuine Toro service parts are the same parts used on the original equipment, ensuring **maximum performance**.

#### SAFETY

The Toro Company places user safety and the performance of the machine at the **top of its priorities** when engineering and sourcing spare parts.

#### RELIABILITY

Most local distributors deliver parts within **24–48 hours**.

#### COMPETITIVE PRICING

Toro's MSRP is competitive to well-fit providers.

#### WORTH IT

With genuine Toro parts, you get the right part with the correct specifications. There's no need to wonder if the part will work.



SERVICE PARTNERS



## REAL PEOPLE MEANS REAL SUPPORT

Toro authorised service partners are locally operated and ready to support your business with product expert advice, after-sale service and an extensive range of genuine Toro parts and accessories.



#### PERSONAL SERVICE

At the counter or on the phone, you're more than a customer – you're a neighbour. Your business matters and they will work hard to earn it.



#### UNBEATABLE SELECTION

Toro Service Partners locally stock the largest selection of genuine Toro parts and have the support of Toro Parts network, ensuring availability of the right parts when you need them.



#### AFTER-SALE GUARANTEE

Just like a car, power equipment requires scheduled servicing to keep it running and performing at peak levels. Contact your local Toro Service Partner today to discuss your Toro service requirements.

# TOP 10 REASONS

TO BUY FROM A TORO® SERVICE PARTNER

10. Extensive product range and competitive prices
9. Access to Toro finance options\*
8. On-site delivery and customer training\*
7. Toro Protection Plus – extended warranty offer
6. Special price on Internet of Turf™ subscriptions
5. Customers loyalty programmes\*
4. Toro authorised service personnel
3. Genuine Toro parts and accessories
2. Experienced, knowledgeable and courteous staff
- And the number 1 reason ...*
1. Locally owned and operated





## WHEN WE SAY **COUNT ON IT**, WE MEAN IT

Every product that carries the Toro brand is backed by over 100 years of history, innovation and timeless dependability. We never stop investing in research and development to give our customers the latest features. That's why Toro is one of the best-known, most trusted brands in the business. We also stand behind our products with a global network of knowledgeable dealers for parts and service support. **Real people. Real support.**

**Smart features. Proven dependability.**



**Count on it.**



[toro.com](http://toro.com)  
Worldwide Headquarters  
The Toro Company  
8111 Lyndale Ave. So.  
Bloomington, MN 55420 USA  
Phone: +(1) 952 888 8801

©2023 The Toro Company.  
All rights reserved.

23-800-EN\_GB

Products depicted in this literature are for demonstration purposes only. Actual products offered for sale may vary in use, design, required attachments and safety features. We reserve the right to improve our products and make changes in specifications, design and standard equipment without notice and without incurring obligation. See your distributor for details on all our warranties.



[facebook.com/ToroCompany](https://facebook.com/ToroCompany)  
[twitter.com/TheToroCompany](https://twitter.com/TheToroCompany)  
[youtube.com/ToroCompanyEurope](https://youtube.com/ToroCompanyEurope)